



BIM26LHD



25.5" x 14.88" x 16.75" (H x W x D)

Built-In undercounter manual defrost icemaker with a stainless steel door and a black cabinet; no drain required

Highlights:

Produces 15 lbs of crescent-shaped ice and stores up to 12 lbs

Convenient drain-free design allows more flexibility in positioning the unit

Specifically designed for use in kitchen islands, home bars, break rooms, health offices, RVs, and even boat kitchens

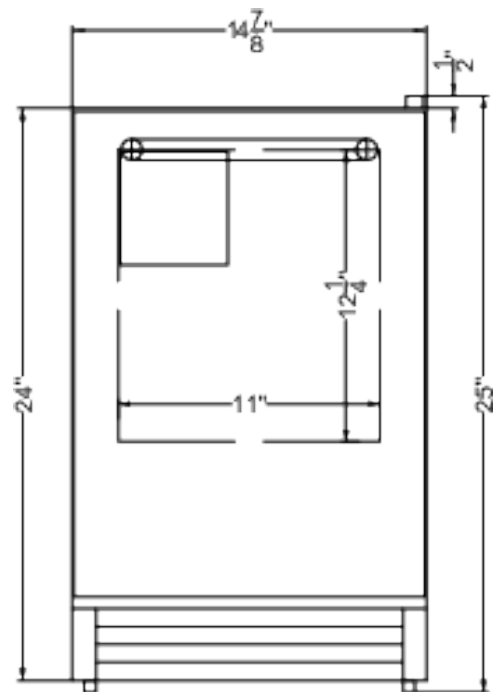
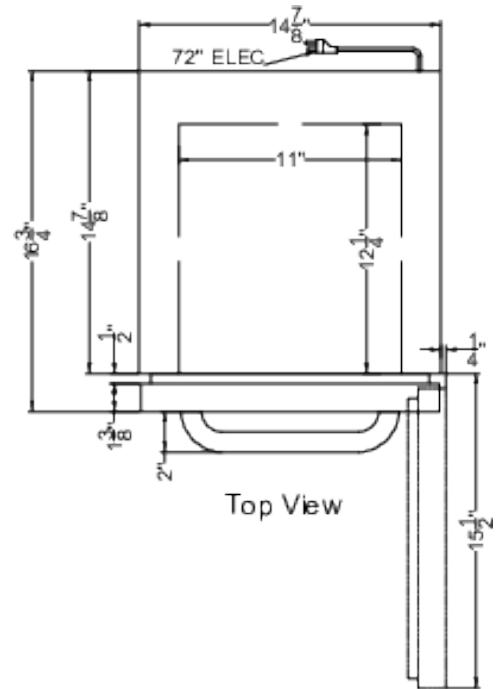
Product Features:

No-Drain 15" Wide Icemaker	Built-in or undercounter capable icemaker designed for kitchen islands, home bars, break rooms, health offices, RVs, and even boat kitchens.
Built-In capable	Make the best use of space by installing your icemaker under the counter
Large capacity	Produces 15 lbs of crescent-shaped ice and stores up to 12 lbs
Drain-free design	Convenient design allows more flexibility in positioning the unit
Manual defrost	Static cooling system helps to keep ice frozen for longer periods of time compared to other systems
Reversible door	User-reversible door swing for flexible placement
Sealed back	Space-saving design with easier cleanability
Standard water hookup	Operates with a standard 1/4" OD water supply line
Modern handle	Horizontally mounted towel bar style handle in stainless steel



BIM26LHD Specifications:

Overview	
Height of Cabinet	25.0" (64 cm)
Height to Hinge Cap	25.5" (65 cm)
Width	14.88" (38 cm)
Width with Door Open	15.13" (38 cm)
Depth	16.75" (43 cm)
Depth with door at 90°	32.25" (82 cm)
Defrost Type	Manual
Door	Stainless Steel
Cabinet	Black
US Electrical Safety	ETL
Canadian Electrical Safety	ETL-C
Amps	1.2
Voltage/Frequency	115 V AC/60 Hz
Weight	50.0 lbs. (23 kg)
Shipping Weight	61.0 lbs. (28 kg)
Parts & Labor Warranty	1 Year
Compressor Warranty	5 Years
UPC	761101108452
Icemaker	
Door Swing	LHD
Reversible	Yes
Height Adjustable	No
Drain Required	Yes
Daily Ice Production	15.0 lbs. (7 kg)
Ice Storage Capacity	12.0 lbs. (5 kg)
Ice Shape	Crescent
Size of Cube	7/8" x 7/8" x 2-3/8"
Number of Ice Cube Sizes	1
Refrigerant Type	R600a
Refrigerant Amount	1.69 oz.
High Side PSI	120.0
Low Side PSI	55.0
Interior Height	12.25" (31 cm)
Interior Width	11.0" (28 cm)
Interior Depth	12.25" (31 cm)
Level Legs	4



Front View