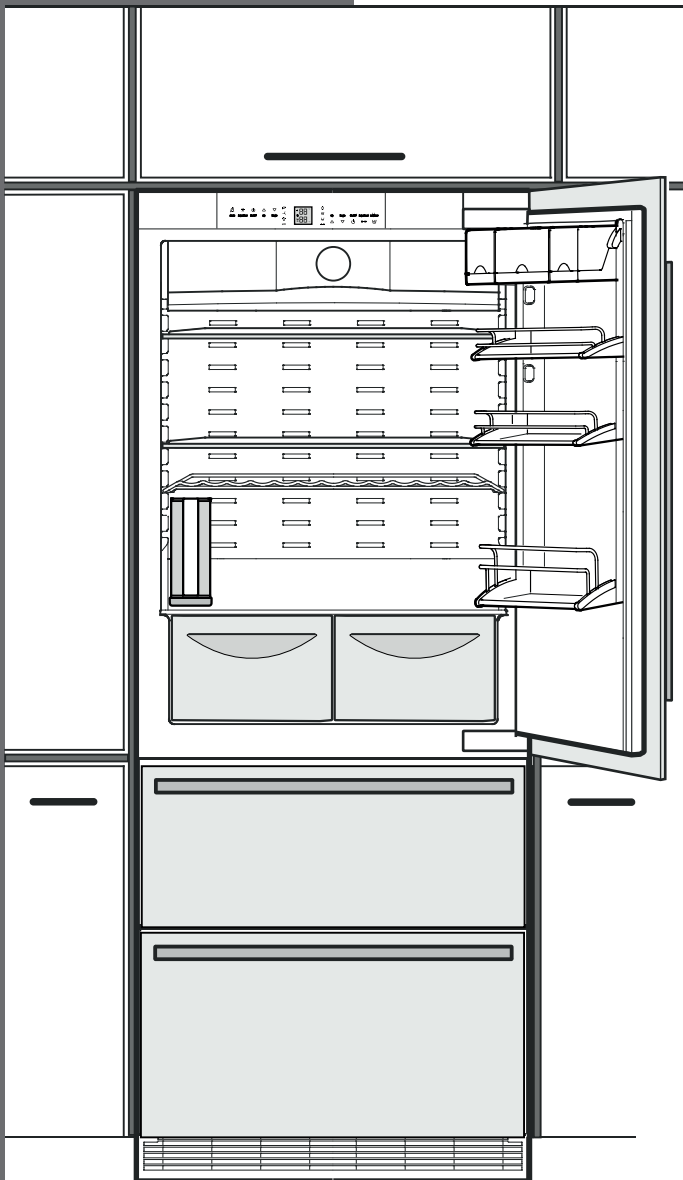


LIEBHERR

Use and Care Manual

For "NoFrost" Combined
Refrigerator-Freezers with IceMaker



HC 1570 / 1571
7084 996-00

TABLE OF CONTENTS

Congratulations on your purchase. Choosing this appliance means you want all the benefits of state-of-the-art refrigeration technology, guaranteeing you top quality, a long appliance life span and excellent reliability.

The features on your appliance have been designed to ensure maximum convenience - day in, day out.

This appliance has been manufactured with recyclable materials using an environmentally friendly process, so together we're making an active contribution to the preservation of our environment.

To get to know all the benefits of your new appliance, please read the information contained in these operating instructions carefully.

Additional Benefits

- CFC-free
- Energy-optimized refrigerant circuit
- Energy-efficient insulation
- Low energy consumption
- User-friendly electronic controls
- Display of functions switched on
- Temperature can be controlled within climate rating range, regardless of room temperature
- Refrigerator and freezer compartments defrost automatically - no need to spend time defrosting
- Big net refrigerator capacity
- Variable and practical features
- Safety-glass storage shelves
- Big net freezer capacity
- Automatic ice maker
- Freezer temperature increase alarm
- Audible door open alarm
- Power failure/"frost-control" display
- Fresh food can be fast-frozen as required
- All drawers suitable for fast freezing
- Integrated transport grips on appliance housing
- Transport castors
- Easy to clean
- This unit is certified as Sabbath compliant by the Star-K organization, thus allowing the appliance to be used during religious holidays. For more information, please visit Star-K on the web at www.star-k.org.

| Contents | Page |
|--|------|
| Please Read and Follow these Instructions | 3 |
| California Proposition 65..... | 3 |
| Disposal of Old Appliance | 3 |
| Disposal of this Appliance | 3 |
| Disposal of Packaging Material | 4 |
| Important Safety Information | 4 |
| R600a Refrigerant..... | 6 |
| Electrical Safety | 6 |
| Safety Regulations..... | 6 |
| Description of Appliance and Equipment | 7 |
| Operating and Control Elements | 8 |
| Turning the Appliance On and Off | 9 |
| Setting the Temperature | 9 |
| Temperature Display..... | 10 |
| Power Failure/Frost-control Display..... | 10 |
| Audible Alarm Signal | 10 |
| SuperCool | 10 |
| Setup Mode..... | 11 |
| Setup Mode..... | 13 |
| Interior Light | 14 |
| Arranging Food | 15 |
| Equipment..... | 15 |
| Freezer Compartment Description | 17 |
| Removing the Freezer Compartment Containers | 17 |
| Freezing | 18 |
| Freezing with SuperFrost..... | 18 |
| Freezing and Storage..... | 18 |
| Safety Instructions and Warnings for the Automatic Ice Maker | 19 |
| Fill the water tank | 19 |
| Turning the Ice Maker On and Off | 20 |
| Cleaning | 20 |
| Cleaning the Air Filter..... | 21 |
| Defrosting..... | 21 |
| Vacation Tips | 22 |
| Troubleshooting | 23 |
| Troubleshooting | 24 |
| Ice Maker Troubleshooting | 24 |
| Appliance Information | 24 |

IMPORTANT

All types and models are subject to continuous improvement. The manufacturer reserves the right to make modifications to the shape, equipment, and technology.

Please Read and Follow these Instructions

These instructions contain Danger, Warning, and Caution notes.

This information is important for safe and efficient installation and operation.

Always read and comply with all Danger, Warning, and Caution notes!

DANGER!

Danger indicates a hazard which will cause serious injury or death if precautions are not followed.

WARNING!

Warning indicates a potentially hazardous situation which, if not avoided, could result in death or serious injury.

CAUTION!

Caution indicates a potentially hazardous situation which, if not avoided, may result in minor or moderate injury.

IMPORTANT

This indicates information that is especially relevant to a problem-free installation and operation.

California Proposition 65

- **WARNING:** This product can expose you to chemicals including Diisononyl Phthalate (DINP), which is known to the State of California to cause cancer, and Di-isodecyl Phthalate (DIDP), which is known to the State of California to cause birth defects or other reproductive harm. For more information, go to www.P65Warnings.ca.gov

Disposal of Old Appliance

WARNING!

Risk of child entrapment.

Child entrapment and suffocation are not problems of the past.

Junked or abandoned refrigerators are still dangerous – even if they will sit for “just a few days.”

If you are getting rid of your old refrigerator, please follow these instructions to help prevent accidents.

Before you discard old appliances:

- **Take off the doors.**
- **Leave the shelves in place so that children may not easily climb inside.**
- **Cut off the power cord from the discarded appliance. Discard separately from the appliance.**
- **Be sure to follow your local requirements for disposal of appliances.**

Contact the trash collection agency in your area for additional information.

Disposal of this Appliance

This appliance contains flammable gases within the refrigeration circuit and insulation foam.

Contact the municipality or disposal company in your area for information on approved recycling or disposal.



The symbol may be located on the compressor. It refers to the oil in the compressor and refers to the following danger: Can be fatal if swallowed or inhaled. This notice only applies for recycling. There is no danger during normal operation.



WARNING: Risk of fire / flammable materials. The symbol is located on the compressor and indicates the danger from flammable materials. Do not remove the label.



This label or a similar one can be located on the rear of the appliance. It refers to the foamed-in panels in the door and/or the housing. This notice only applies for recycling. Do not remove the label.

Disposal of Packaging Material

The packaging is designed to protect the appliance and individual components during transport and is made of recyclable materials.



Keep packaging materials away from children. Polythene sheets and bags can cause suffocation!

If possible, please recycle packaging material at a recycling facility.

Important Safety Information

- **WARNING:** Keep ventilation openings, in the appliance enclosure or in the built-in structure, clear of obstruction.
- **WARNING:** Do not use mechanical devices or other means to accelerate the defrosting process, other than those recommended by the manufacturer.
- **WARNING:** Do not damage the refrigerant circuit.
- **WARNING:** The power cord must not be damaged while installing the appliance.
- **WARNING:** Multi-sockets or distributor strips and other electronic devices (such as halogen transformers) must not be positioned and operated at the rear of appliances.
- **WARNING:** Danger of injury through electric shock! There are live parts under the cover. Only have the interior LED light replaced or repaired by customer service staff or trained personnel.
- **WARNING:** Risk of injury from the LED lamp. The light intensity of the LED light complies with risk group RG 2. If the cover is defective, do not look directly at the light through optical lenses from close distance. This may damage your eyes.
- **WARNING:** This appliance must be secured as described in the Use and Care Manual (Installation Instructions) to rule out any potential risks due to its instability.
- **WARNING:** Do not use electrical appliances inside the food storage compartments of the appliance, unless they are of the type recommended by the manufacturer.

- Any repairs and work on the appliance should only be performed by the customer service department. Unauthorized work may be dangerous to the user. The power source cable should only be changed or replaced by the customer service department. Component parts and power cords shall be replaced with like components performed by factory authorized service personnel only.
- Do not stand on the toe kick, drawers or doors or use them to support anything else.
- This appliance is not intended for use by persons (including children) with reduced physical, sensory or mental capabilities or lack of experience and knowledge unless they have been given initial supervision or instruction concerning use of the appliance by a person responsible for their safety. Children should be supervised to ensure that they do not play with the appliance.
- Do not store explosive substances such as aerosol cans with a flammable propellant in this appliance.
- To prevent injury and damage to property, the appliance should only be installed by four people.
- Check the appliance for signs of damage after unpacking. Contact the supplier if it is damaged. Do not connect the appliance to the mains power supply.
- Avoid prolonged skin contact with cold surfaces (e.g., chilled/frozen products). If necessary, take safety action (e.g., gloves).
- Do not consume food which has been stored for too long; it could cause food poisoning.
- Any repairs and work on the appliance should only be performed by the customer service department or other trained personnel. The same applies to changing the power cord.
- Only perform repair and other work on the appliance when the plug has visibly been disconnected.
- Only install, connect, and dispose of the appliance as described in this Use and Care Manual.
- In the event of a fault, pull out the plug or switch off the fuse.
- When disconnecting the appliance from the power source, pull it out by the plug, never pull on the cable.
- If you have a lockable appliance, do not keep the key near the appliance or within reach of children.
- The appliance is designed for use in enclosed rooms. Do not operate the appliance outdoors or in areas where there is moisture or splashing water.
- Do not use the interior LED light to light the room. The interior LED light is only designed to illuminate the interior of the appliance.
- Do not allow naked flames or ignition sources to enter the appliance.
- Alcoholic drinks or other vessels containing alcohol should be sealed tightly for storage.

SAFETY

R600a Refrigerant



WARNING!

The refrigerant R600a contained within the appliance is environmentally friendly, but flammable. Leaking refrigerant can ignite.

Electrical Safety

Connect this appliance to a 15 amp or 20 amp, 110-120 VAC, circuit which is grounded and protected by a circuit breaker or fuse.

We recommend using a dedicated circuit for this appliance to prevent circuit overload and the chance of interruption to the appliance.

This appliance is equipped with a three-prong (grounding) polarized plug for your protection against possible shock hazards.

Where a two-prong wall receptacle is encountered, contact a qualified electrician and have it replaced with a properly grounded three-prong receptacle in accordance with all local codes and ordinances.



WARNING!

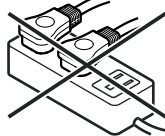
Electrocution hazard.

Electrical grounding required.

- Do not remove the round grounding prong from the plug. →
- Do not use extension cords or ungrounded (two prong) adapters.
- Do not use a power cord that is frayed or damaged.



- Do not use a power strip. →



Failure to follow these instructions may result in fire, electrical shock or death.

Safety Regulations

This appliance is intended to be used in household and similar applications.

This includes, for example, use

- in staff kitchenettes, bed and breakfast establishments,
- by guests in cottages, hotels, motels and other forms of accommodation,
- in catering and similar services in the wholesale trade.

IMPORTANT

The appliance is not intended for outdoor use.

The appliance is manufactured to operate within specific ambient temperature limits according to its climate rating.

The climate rating indicates the ambient temperature at which the appliance may be operated in order to achieve full refrigeration performance.

Climate Rating

SN-T

Ambient Temperature

50°F to 109°F (10°C to 43°C)

IMPORTANT

Do not operate the appliance outside the specified ambient temperature range.

- The refrigerant circuit has been tested for leaks.
- The appliance complies with current safety regulations

CAN/CSA C22.2 No. 60335-2-24 / UL 60335-2-24
CAN/CSA C22.2 No. 60335-1 / UL 60335-1

We recommend cleaning the appliance before turning it on for the first time. See „Cleaning“.

Turn on the appliance several hours before loading it.

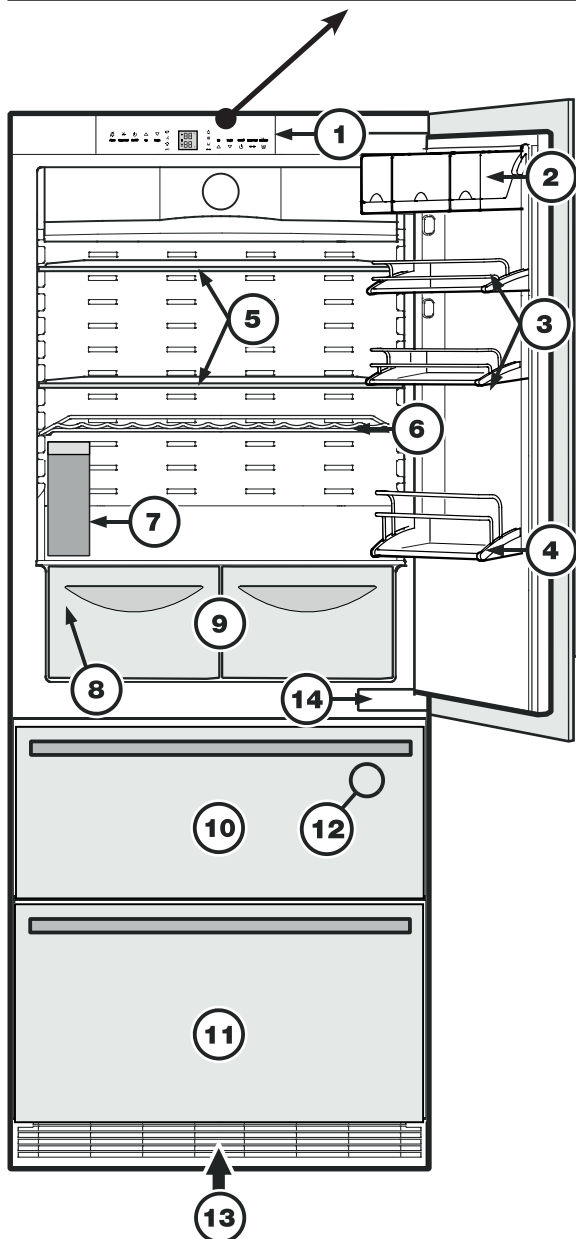
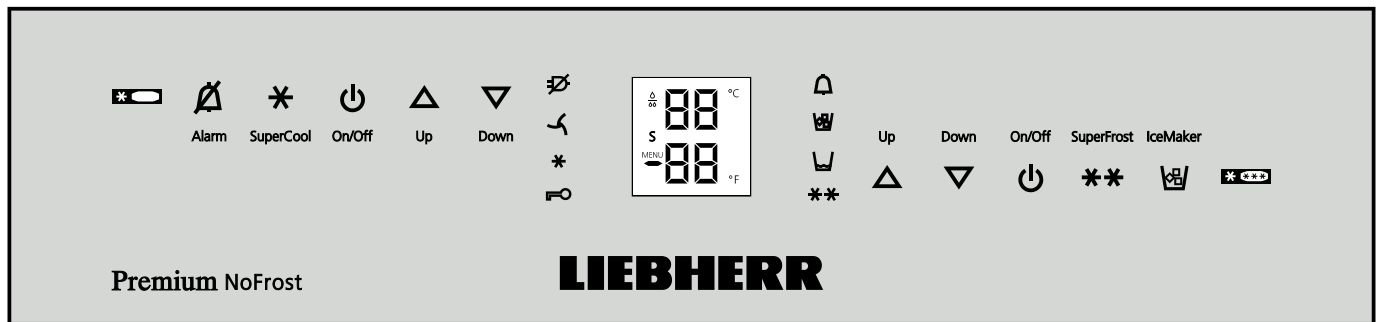


WARNING!

Do not allow children to play with the appliance. Children must not climb, sit or stand on the shelves or door.

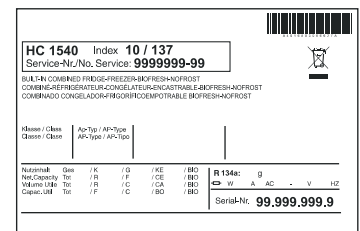
Failure to follow these instructions may result in death or serious injury.

Description of Appliance and Equipment - Figure 1



Description of refrigerator

- (1) Operating and control elements
- (2) Butter and cheese compartment - Vario box
- (3) Adjustable door racks
- (4) Bottle rack
- (5) Adjustable shelves
- (6) Bottle grid
- (7) Water tank
- (8) Model plate (behind the vegetable drawer on the left hand side)
- (9) Vegetable drawers



Description of freezer


- (10) Upper freezer drawer
- (11) Lower freezer drawer
- (12) Ice maker (in the interior of the upper freezer drawer)
- (13) Ventilation grille
- (14) Lower hinge

Figure 1

FEATURES

Operating and Control Elements - Figure 2, Figure 3

The electronic control panel uses **touch capacitance technology**. Any function can be activated by a fingertip on the symbol of the operating icons.

The exact contact point is between the symbol and its label 

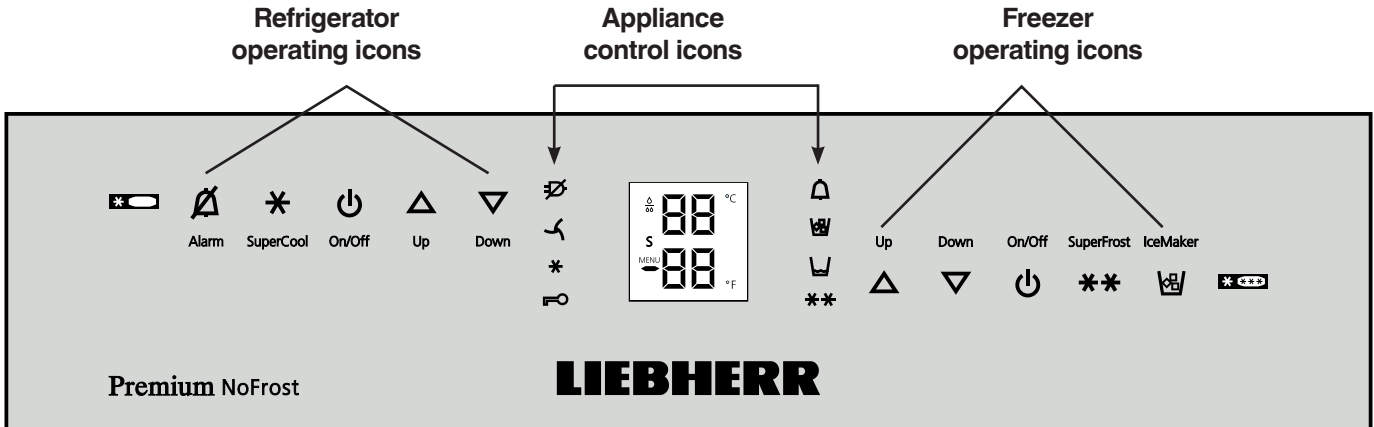


Figure 2

- | Refrigerator operating icons | Appliance control icons | Freezer operating icons |
|---|--|--|
| Alarm mute (refrigerator and freezer) | Power Failure LED | Temperature Up control (to increase the freezer temperature) |
| SuperCool | Air Filter LED When this LED lights up the air filter in the toe kick area has to be cleaned. | Temperature Down control (to reduce the freezer temperature) |
| Refrigerator On/Off | SuperCool LED | Freezer On/Off |
| Temperature Up control (to increase the refrigerator temperature) | Child lock LED | SuperFrost |
| Temperature Down control (to reduce the refrigerator temperature) | Alarm LED | IceMaker On/Off |
| | IceMaker On LED | |
| | Top up water tank LED | |
| | SuperFrost LED | |

Temperature and control display

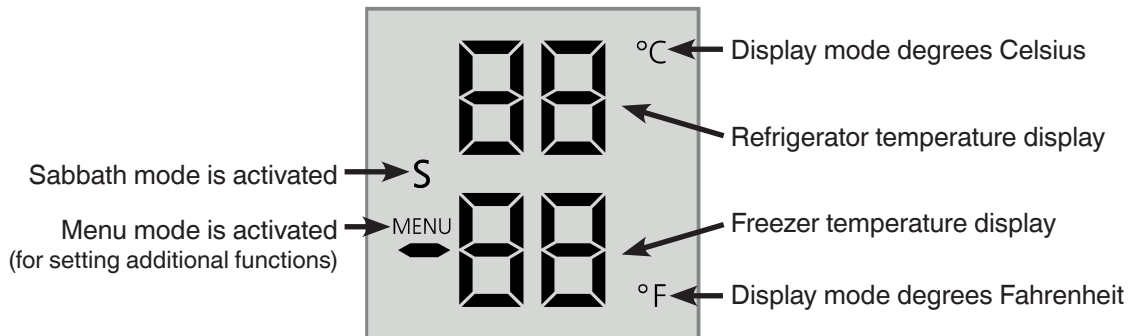


Figure 3

Turning the Appliance On and Off - Figure 4

Clean the appliance before turning it on for the first time. See **Cleaning**.

Do not place frozen food in the freezer until the temperature shows at least 0°F / -18°C. The refrigerator and freezer compartments can be operated separately.

Turning on

Touch the Refrigerator On/Off icon and the Freezer On/Off icon so the Temperature Displays light up.

Turning off

To turn off the refrigerator or freezer, touch the corresponding On/Off icon for approximately 3 seconds so the temperature display and interior lights go out.

Setting the Temperature - Figure 4

We recommend temperatures of 38°F (3°C) in the refrigerator and 0°F (-18°C) in the freezer.

To reduce the temperature

Touch the **Down** icon on the left to reduce the refrigerator temperature and the **Down** icon on the right to reduce the freezer temperature.

To increase the temperature

Touch the **UP** icon on the left to increase the refrigerator temperature and on the right to increase the freezer temperature.

- While you are entering the temperature, **the set temperature will flash** on the display.
- When you touch the temperature setting icons for the first time, the most recent setting is displayed.
- You can change the settings in increments of 1°F (1°C) by briefly touching the icons again.
- Approximately five seconds after the icon has been released, the display will automatically show the actual freezing or cooling temperature.

You can change the temperatures:

- **In the refrigerator** – between 36°F and 44°F (2°C and 6°C) and
- **In the freezer** – between -15°F and 7°F (-27°C and -14°C).

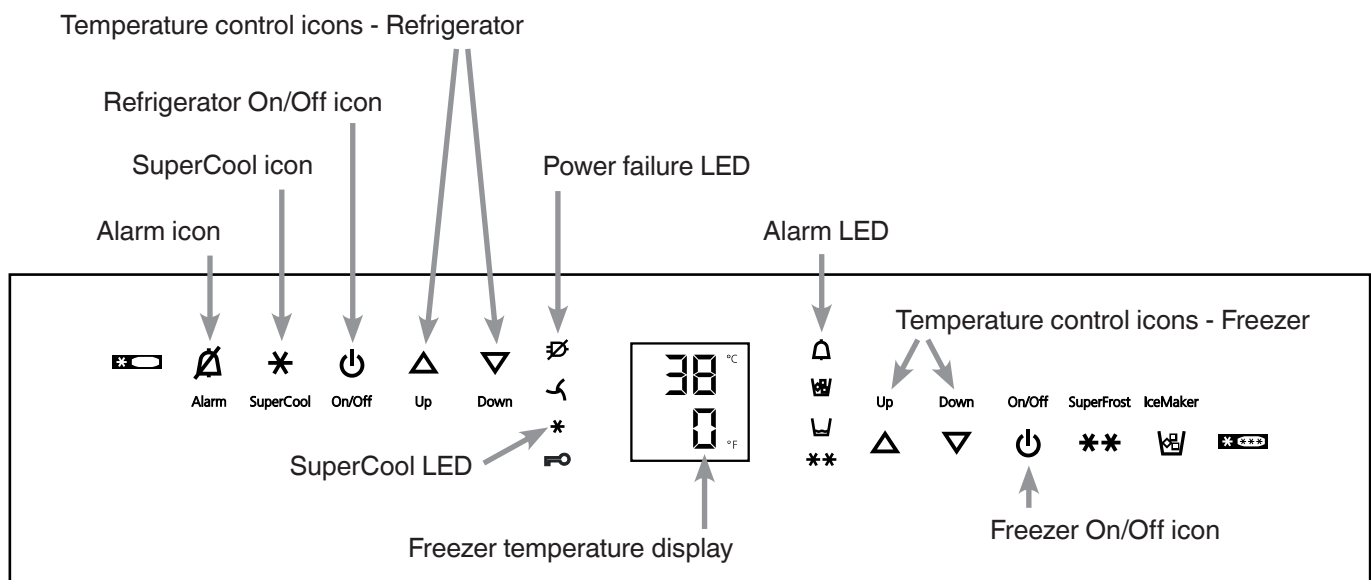


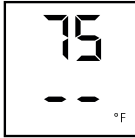
Figure 4

Temperature Display - Figure 4

In normal operation, the following settings will be displayed:

- the average refrigerator temperature
- the warmest frozen food temperature.


When starting up for the first time or when the appliance is warm, dashes will appear in the freezer temperature display until the temperature in the freezer compartment is 32°F (0°C).



It will take between three and eight hours for the required temperature, 0°F or 38°F (-18°C or 3°C) to be reached and displayed permanently in the display, depending on the ambient conditions and the temperature setting.

If **F1** to **F5** appears in the display, the appliance has a fault. Have the fault number available when you contact the customer service department.

Power Failure/Frost-control Display - Figure 4

If the power failure LED  is lit, this means the freezer temperature has risen too **high** during the last few hours or days due to a power failure. The freezer temperature display flashes at the same time.

- If you touch the **Alarm** icon now, the highest temperature registered during the power failure will be displayed.
- Check the quality of the food in case it has become too warm or even defrosted.
- The highest temperature will appear for approximately one minute. After that, the actual temperature in the freezer will reappear.

The display can be turned off by touching the Alarm icon again.

Audible Alarm Signal - Figure 4


The audible alarm signal helps to protect frozen food and to save energy.

The audible alarm signal is switched off by touching the alarm icon.

Audible door alarm

This sounds when the door has been left open for longer than about 180 seconds. The sound switch-off function is active as long as the door is left open. The alarm automatically switches back to standby when the door is shut.

Audible/visual temperature alarm

It always sounds if the freezer temperature is not low enough. The temperature display and the alarm LED  flash at the same time.

This can be caused by:


- warm, fresh food being placed in the freezer;
- too much warm air from the outside entering when rearranging or removing frozen food,
- a fault in the appliance.

The temperature display will continue to flash until the cause of the alarm has been rectified. It will then stop flashing and light up continually. The audible warning signal is now automatically reset.

SuperCool - Figure 4

Touching the SuperCool icon switches the refrigerator compartment to maximum cooling. It is recommended particularly if you wish to cool large quantities of food, drinks, freshly baked goods or meals rapidly.

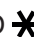
Turning on

Touch the SuperCool icon briefly so the LED  turns on. The refrigerator temperature will drop to its lowest value.

IMPORTANT

The SuperCool function uses slightly more energy. After approximately six hours, however, the refrigerator switches back automatically to normal energy-saving operation. If required, the SuperCool function can be turned off sooner.

Turning off

Touch the SuperCool icon again until the LED  turns off.

Setup Mode - Figure 5

In the setup mode you can activate the following functions:

⌘ = Sabbath mode

⌘ = Child lock

{ = Ice maker function test (for service personnel only)

E = Water quantity for ice cube tray

□ = Temperature display mode

h = Display brightness

H = Lower hinge heating control



r = Reset air filter LED

⌘ = Sabbath mode

This feature considers the Religious requirements on Sabbath or Holidays. When the Sabbath mode is active some functions of the electronic controls are switched off.


- The lighting remains off.
- The cooling fan remains in its actual state: If it is on it remains on, if it is off it remains off.
- There is no door alarm.
- There is no temperature alarm.
- Defrost cycles are independent of the number of times and length of door openings.
- The unit will return into Sabbath Mode after a power failure.

How to activate the Sabbath mode

- Activate the setup mode by touching the **SuperFrost** icon for 5 seconds.
 - the display shows ⌘
- Touch the **SuperFrost** icon
 - the display shows 
- Touch the **SuperFrost** icon again
 - the display shows 
 - the Sabbath mode is activated.
- Exit setup mode by touching the freezer compartment **On/Off** icon.

Sabbath mode switches off automatically after 120 hours if it is not manually switched off beforehand.

How to deactivate the Sabbath mode

- Activate the setup mode by touching the **SuperFrost** icon for 5 seconds.
 - the display shows ⌘
- Touch the **SuperFrost** icon
 - the display shows 
- Touch the **SuperFrost** icon again
 - the ⌘ symbol in the display disappears, the Sabbath mode is deactivated.
- Exit setup mode by touching the freezer compartment **On/Off** icon.

OPERATION



☒ = Child lock

The child lock is designed to protect the appliance from being turned off accidentally.


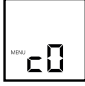

⊥ = Ice maker function test

Activation by service personnel only.

How to activate the child lock

- Activate the setup mode by touching the **SuperFrost** icon for 5 seconds.
- Touch the **freezer compartment Down** icon until ☒ appears in the freezer temperature display.
- Touch the **SuperFrost** icon
 - the display shows 
- Touch the **SuperFrost** icon again
 - the LED  is lit and the child lock is activated.
- Exit setup mode by touching the freezer compartment **On/Off** icon.

How to deactivate the child lock

- Activate the setup mode by touching the **SuperFrost** icon for 5 seconds.
 - the display shows 
- Touch the **SuperFrost** icon
 - the display shows 
- Touch the **SuperFrost** icon again
 - the LED  goes out. The child lock is deactivated.
- Exit setup mode by touching the freezer compartment **On/Off** icon.

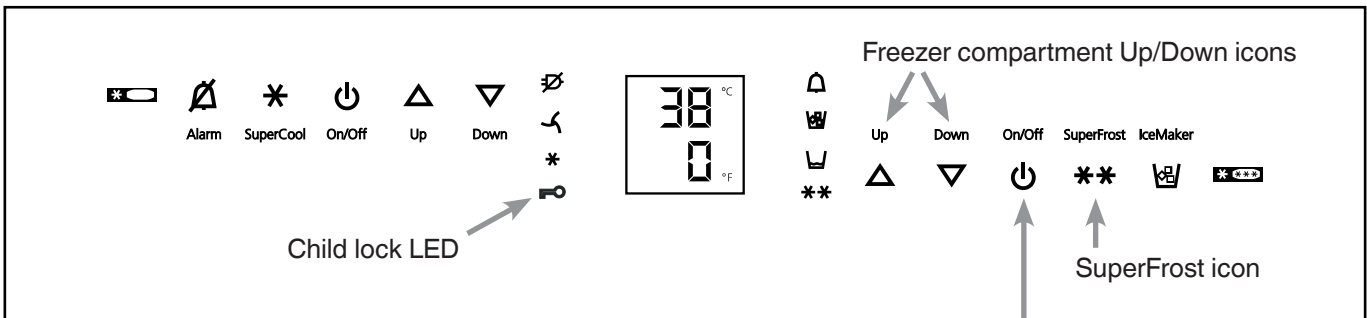


Figure 5


Freezer On/Off icon

Setup Mode - Figure 6

⌘ = Water quantity for ice cube tray

If the ice cubes produced by the ice maker are too small, the inflowing water quantity can be adjusted.

How to adjust the water quantity

- Activate the setup mode by touching the **SuperFrost** icon for 5 seconds.
- Touch the **freezer compartment Down** icon until ⌘ appears in the freezer temperature display.
- Touch the **SuperFrost** icon
 - the display shows 
- Touch the **freezer compartment Up** icon once only so E4 appears in the display.

IMPORTANT

Do not increase for more than one step. If the adjusted value is too high, the ice cube tray of the ice maker could overflow.

- Touch the **SuperFrost** icon again.
- Exit setup mode by touching the freezer compartment **On/Off** icon.


Check the ice cube size within the next days. If the ice cubes are still smaller than desired, follow the steps above again.

◻ = Temperature display mode

You can choose the **unit of temperature** for the display in degrees Fahrenheit or degrees Celsius.

The factory setting is degrees Fahrenheit.

How to change the temperature display to degrees Celsius


- Activate the setup mode by touching the **SuperFrost** icon for 5 seconds.
- Touch the **freezer compartment Down** icon until ◻ appears in the freezer temperature display.
- Touch the **SuperFrost** icon
 - the display shows 
- Touch the **SuperFrost** icon again
 - the temperature reading is now displayed in degrees Celsius.
- Exit setup mode by touching the freezer compartment **On/Off** icon.

Note

To change the temperature display back to degrees Fahrenheit, follow the steps above.

h = Display brightness

How to adjust the display brightness

- Activate the setup mode by touching the **SuperFrost** icon for 5 seconds.
- Touch the **freezer compartment Down** icon until h appears in the freezer temperature display.
- Touch the **SuperFrost** icon
 - the display shows 
- Touch the **freezer compartment Up/Down** icons to select
 - h 0 = minimum to
 - h 5 = maximum brightness
- Touch the **SuperFrost** icon at the desired value.
- Exit setup mode by touching the freezer compartment **On/Off** icon.

Arranging Food - Figure 7

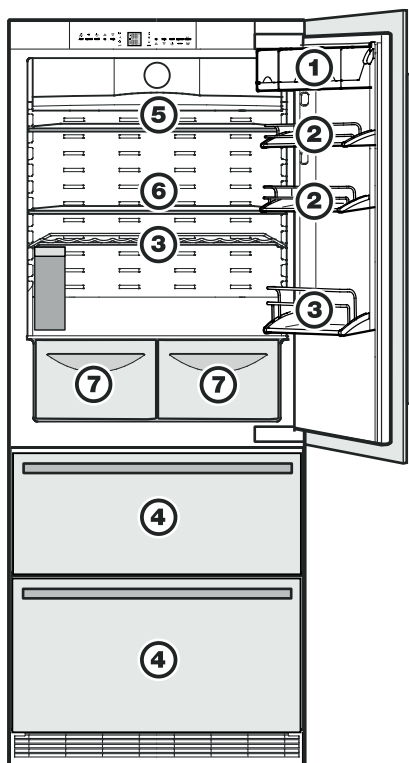


Figure 7

- (1) Butter, cheese
- (2) Eggs, cans, drinks
- (3) Bottles
- (4) Frozen food, ice cubes
- (5) Meat and sausage products, dairy products
- (6) Baked goods, pre-cooked meals
- (7) Fruit, vegetables, salad

IMPORTANT

- Liquids and food which give off or absorb odors and flavors should always be stored covered or in closed containers.
- High-percentage alcohols should be tightly sealed and stored upright.

Equipment



WARNING!

To avoid possible injury, only adjust an empty shelf or door rack. Do not attempt to adjust a shelf or door rack with food on it.

You can rearrange the height of the shelves and door racks as required.

Repositioning the door racks - Figure 8

Slide the door rack up, pull out toward you and replace in reverse order.

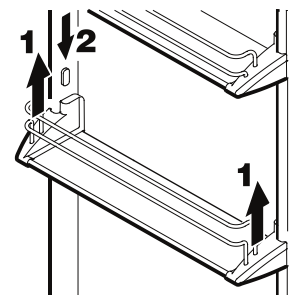


Figure 8

Vario box - Figure 9

The boxes can be removed and placed on the table as a single unit.

Re-positioning the boxes: Lift them for removal and re-position them as required.

The box support bar can be removed by lifting upwards and inserted in another position (e.g. swapped with a door rack).

Important! Box lids must be shut when you close the door - risk of damage.

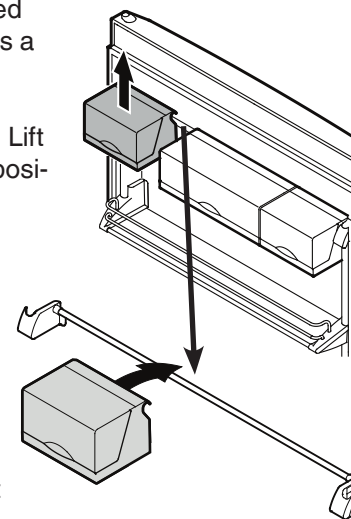


Figure 9

Bottle grid - Figure 10

The bottle grid serves as an additional storage surface for cooling drinks.

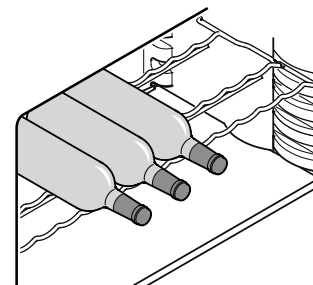


Figure 10

REFRIGERATOR COMPARTMENT

Repositioning the shelves - Figure 11

1. Hold the shelf underneath with your hand to avoid from tipping down backwards when removing.
2. Lift the shelf at the front.
3. Remove the shelf forward until the circular cutout of the shelf is in line with the front supports.
4. Lift the shelf up or down and replace in the desired position.

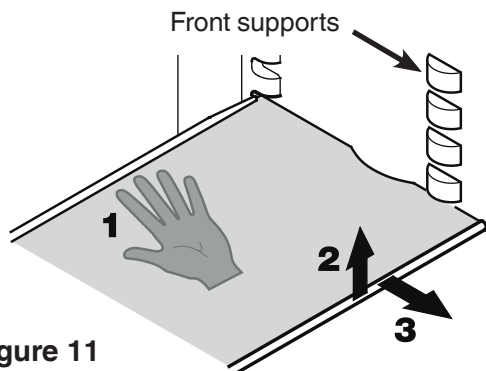


Figure 11

Removing the shelves - Figure 12

1. Follow the first three steps in the chapter above.
2. Lift the shelf down and stop just over the upper vegetable bin.
3. Move the front of the shelf upwards until the shelf is in a vertical position.
4. Turn the shelf out at left and remove.

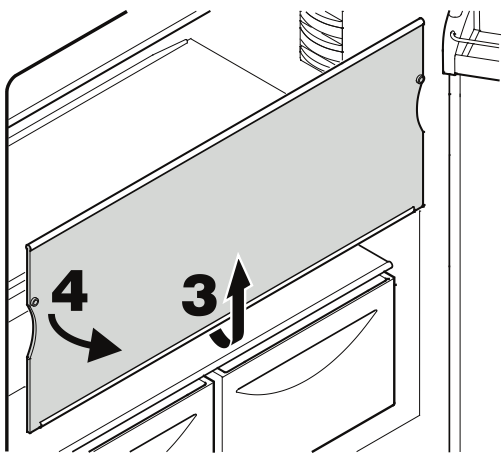


Figure 12

If you need space for large bottles and containers.

Place the shelf rails provided on the supports on the left and right at the desired height -

Figure 13.

Insert the glass shelves as shown in figure 14.

The glass shelf with the raised edge must go at the back.

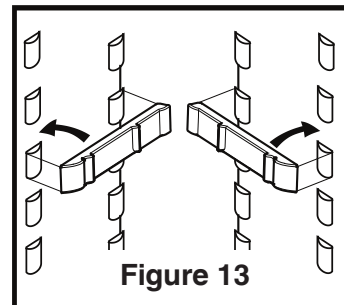


Figure 13

If you need to make space for tall containers, simply slide the **front half** of the sectioned glass shelf carefully underneath the back half -

Figure 14

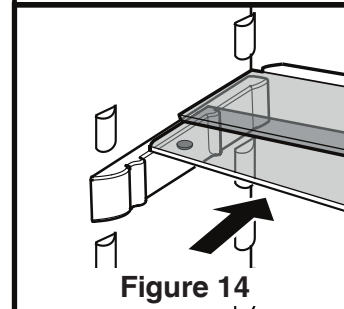


Figure 14

To remove the vegetable drawer

Pull the drawer straight out, grip at the back and lift out -

Figure 15.

To install the vegetable drawer

Place the drawer on the rails. The rails must be fully extended and aligned with the front of the drawer. Slide the drawer in.

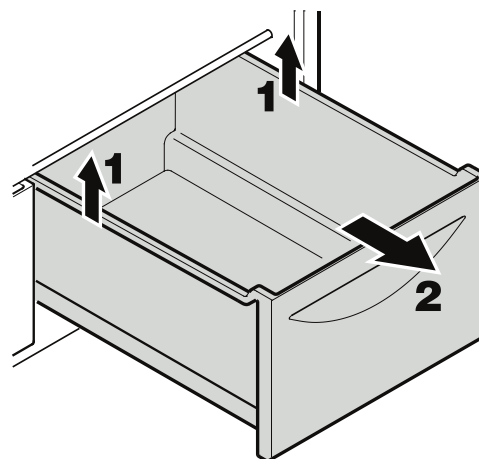


Figure 15

Freezer Compartment Description

The ice maker is located in the upper drawer on the right side.

The ice cubes fall out of the ice maker into the drawer.

If you need the whole upper drawer for freezing and storing food, turn off the ice maker (see chapter "Turning the Ice Maker On and Off").

The bottom drawer is intended for freezing and storing food. Ice cubes can also be stored in this drawer.

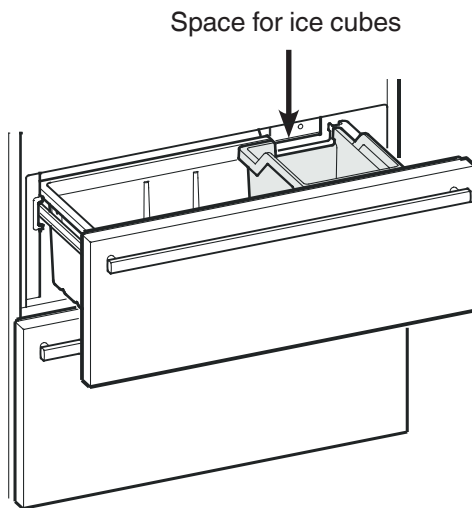


Figure 16

Bottom drawer partition - Figure 17

If desired, insert the partition grid provided with the accessories pack.

Open the bottom freezer drawer and insert the partition on the left or right in the drawer.

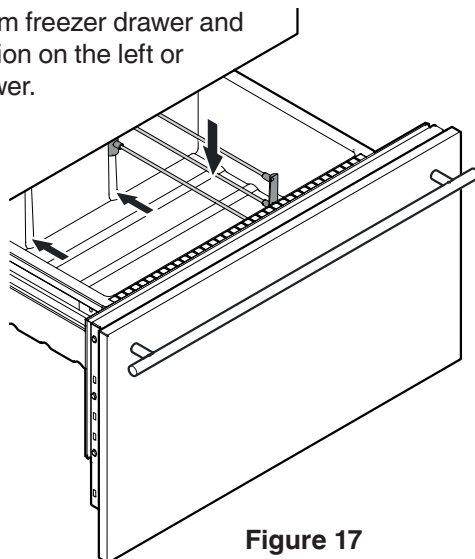


Figure 17

Removing the Freezer Compartment Containers

The containers of both freezer drawers can be removed.

- Unlatch the container on the left and right corners by pulling upwards (1) - **Figure 18**.
- Slide the container backwards (2) - **Figure 18**.

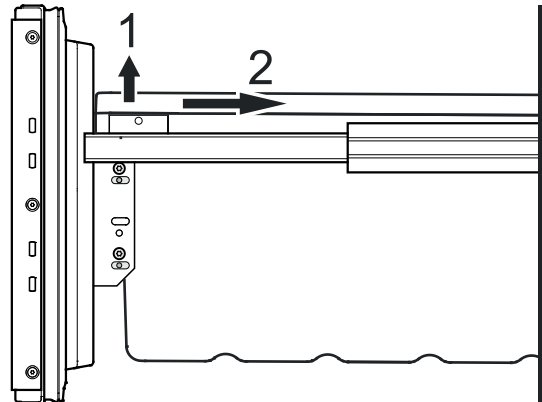


Figure 18

- Tilt the container at an angle and remove - **Figure 19**.

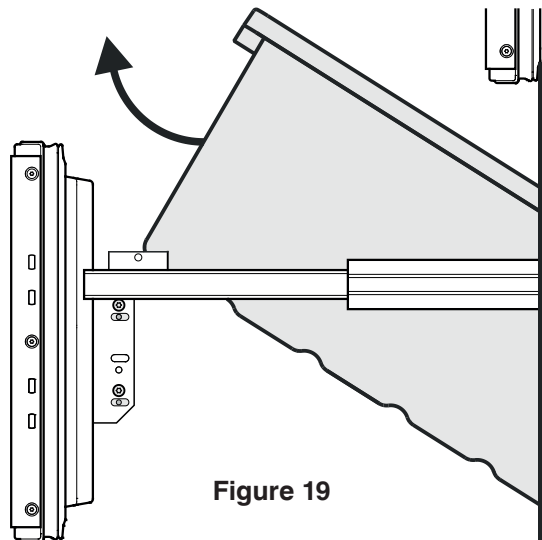


Figure 19

Install the container in the reverse order.

FREEZER COMPARTMENT

Freezing

Fresh food should be frozen completely and as rapidly as possible. This is provided by the SuperFrost feature and ensures that the nutritional value, appearance and flavor of the food remains intact.

Freezing with SuperFrost - Figure 20

- Touch the SuperFrost icon briefly so the LED ** turns on.
- Wait 24 hours.
- Then place the fresh food inside the freezer.
- The SuperFrost function turns off automatically. Depending on the quantity of food placed in the freezer, this will normally be between 30 and a maximum of 65 hours.

The freezing process is now complete; the SuperFrost LED ** will turn off, and the freezer will change back to normal energy-saving operation.

IMPORTANT

You should not turn on the SuperFrost function:

- when placing frozen food in the freezer;
- when freezing up to approximately 4-1/2 lbs (2 kg) fresh food daily.

Freezing and Storage

- Pack frozen food in standard freezer bags or reusable plastic, metal or aluminum containers.
- Do not allow fresh food which is to be frozen to come into contact with food already frozen. Always keep packages dry in order to avoid them sticking together.
- Always write the date and contents on the package and do not exceed the stated storage time for the food. This prevents spoiling.
- Pack food which you are freezing yourself in quantities right for your household. To ensure the food freezes right through quickly, the following quantities should not be exceeded per package:
 - fruit, vegetables: up to 2-1/4 lbs (1 kg);
 - meat: up to 5-1/2 lbs (2.5 kg).
- Do not freeze bottles and cans which contain carbonated drinks as they might burst. Drinks can be cooled down quickly, but take the bottles out of the freezer compartment after an hour at the most.
- Only take out as much food as needed for thawing. Cook food which has been thawed as quickly as possible.

Frozen food can be thawed in the following ways:

- in a microwave oven
- in the refrigerator: the safer way to thaw food because there is less chance of bacteria growth. Use this method for high density food such as roasts or poultry.

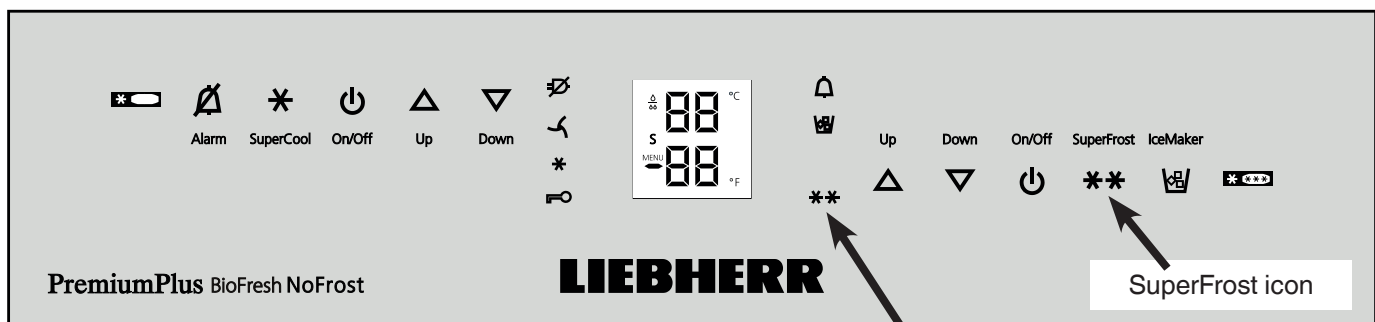


Figure 20

SuperFrost LED

SuperFrost icon

Safety Instructions and Warnings for the Automatic Ice Maker

- The ice maker is designed exclusively to make ice cubes in quantities needed by a household.
- All repairs and work on the ice maker may only be done by customer service personnel or other appropriately trained personnel.
- **Do not consume or use the first three batches of ice. This applies both to using the appliance for the first time and also using it after it has not been used for a long period of time.**
- **The manufacturer cannot accept liability for damage caused by equipment or water lines between the solenoid valve and the water supply.**
- The ice maker will only make ice cubes if the freezer compartment is operating and both freezer drawers are completely closed.

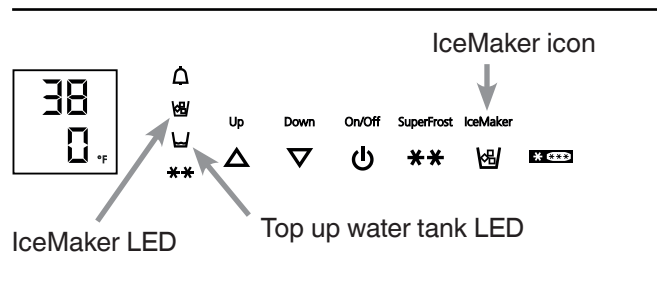


Figure 21

Fill the water tank

WARNING!

Contaminated water!

Poisoning.

Fill the water tank with potable water only. If you are not using the IceMaker: Empty the tank.

IMPORTANT

Sugary liquids!


Damage to the IceMaker.

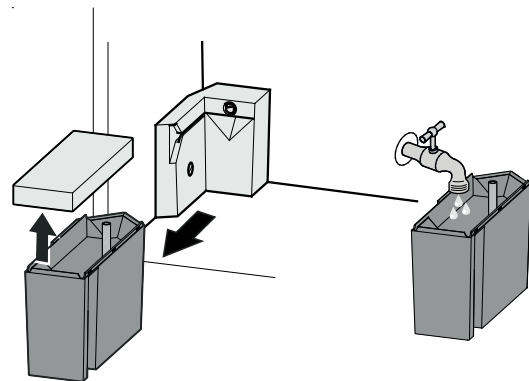
Fill with cold drinking water only.

IMPORTANT

Using filtered, decarbonized water ensures the best-tasting drinking water for your ice cubes.

This water quality can be achieved using a table water filter of the kind available in trade retail outlets. Always fill the water tank only with filtered, decarbonized drinking water.

The water for the IceMaker is supplied from a water tank. When the water tank is empty, a reminder appears on the display .



- Pull the water tank out to the front.
- Remove the lid.
- Fill with drinking water.
- Place the lid.
- Insert the water tank into the holder and push it in all the way.

Turning the Ice Maker On and Off

(Figure 21)

To turn the ice maker on

- Touch the **IceMaker icon** so the **IceMaker LED** comes on.

To turn the ice maker off


If you do not need any ice cubes, the ice maker can be turned off independently of the freezer compartment.

- Touch the IceMaker icon so the IceMaker LED goes out.

Ice maker at vacations

See chapter “Vacation tips”

Top up water tank LED

The LED  starts blinking when the water tank needs to be topped up, if the tank has been removed, or if it has not been inserted correctly.

Cleaning

WARNING!

- **To prevent possible injury due to an electrical shock, be sure to disconnect the power cord or turn off the circuit breaker before cleaning the appliance.**
- **To avoid injury or damage, do not use steam cleaning equipment to clean the appliance.**
- **To avoid short-circuits, ensure no cleaning water penetrates into the electrical components when cleaning the appliance. Do not use a sponge or cloth that is overly wet.**

Do not use abrasive or scouring sponges. **Do not** use concentrated cleaning agents. **Never** use abrasive or acid cleaners or chemical solvents.

- Remove all food from the refrigerator and freezer compartments and store in a cool place temporarily. Store frozen food in other freezers if available.
- Remove the door racks as shown in **Figure 8**.
- Remove the vegetable drawers as shown in **Figure 15**.
- Remove glass shelves as shown in **Figure 12**.
- Remove the freezer drawer containers as shown in **Figure 18** and **Figure 19**.
- Remove the water tank **Figure 25**.
- A compound of lukewarm water and dishwasher detergent is recommended for cleaning the appliance and equipment parts.

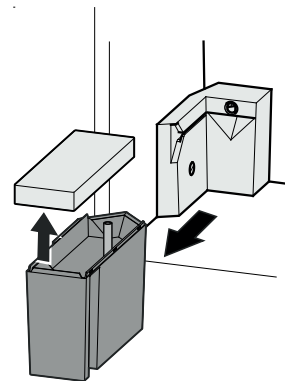


Figure 25

IMPORTANT

Do not clean the equipment parts in a dishwasher. Strips of these parts could get loose.

- Dry all parts well with a cloth.
- **Do not** damage or remove the model plate on the inside of the appliance. It is very important for servicing your appliance.
- Install all equipment parts and replace the food in the appliance.
- Turn the appliance on.

Cleaning the Air Filter

- Open the bottom freezer drawer and remove the ventilation grille by pulling forwards - **Figure 26**. The grille is supported magnetically so no tool is required for removing.

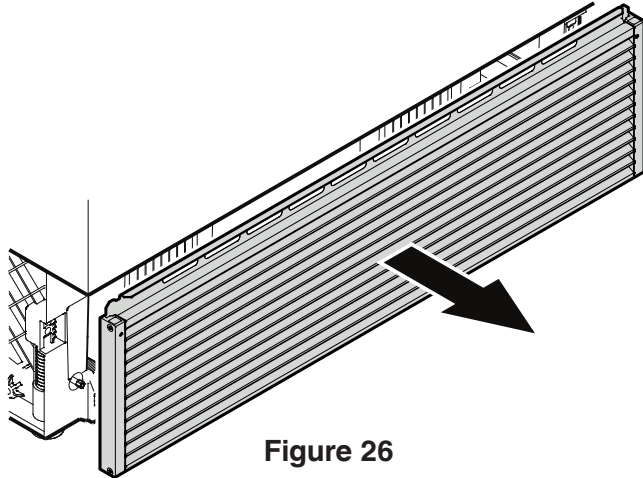


Figure 26

- Push down the button of the air filter, tilt to the front and remove - **Figure 27**.
- Clean the filter in a dishwasher or by hand with luke-warm water and dishwasher detergent.
- Install the air filter in the reverse order.

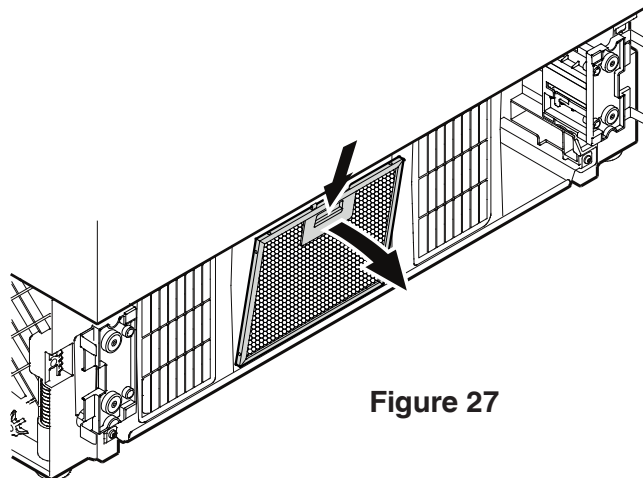


Figure 27

- Install the ventilation grille.

The grille has bolts on the inside (see detail in **Fig. 28**). These bolts must be inserted into the holes of the supports.

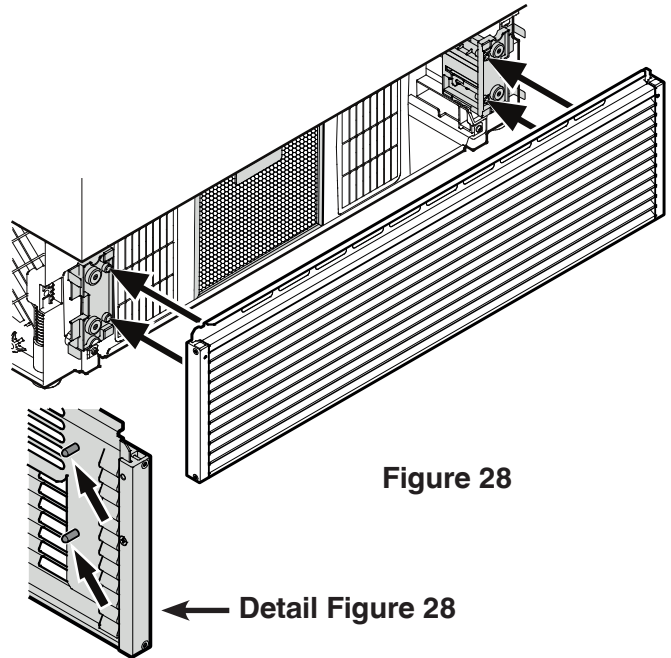


Figure 28

Detail Figure 28

- Reset the air filter LED.
Refer to chapter **Setup Mode** - **⏏** = Reset air filter LED.

Defrosting

Refrigerator compartment

The refrigerator compartment defrosts automatically. The water that forms on the rear wall drains into a reservoir at the back of the appliance and evaporates automatically through the compressor heat.

Freezer compartment

The NoFrost system automatically defrosts the freezer compartment. Any moisture will collect on the evaporator and freeze. It will periodically defrost and evaporate.

Vacation Tips (Figure 29)

Short vacations

It is not necessary to turn off the refrigerator and freezer if you will be away for less than four weeks.

- Use all perishables.
- Freeze other items.
- Empty the water tank and clean it.
- Reinsert the empty water tank.
- Leave the ice maker on and working for approx. four hours so that the remaining ice cubes are ejected.
- Touch the IceMaker icon so that the IceMaker LED goes out.
- Transfer all ice cubes to the right part of the drawer or to the bottom drawer.

Long vacations

If you will be away for a month or more:

- Empty the water tank and clean it.
- Reinsert the empty water tank.
- Leave the ice maker on and working for approx. four hours so that the remaining ice cubes are ejected.
- Touch the IceMaker icon so that the IceMaker LED goes out.
- Remove all ice cubes from the drawer and dispose of them.
- Remove all food from the refrigerator and freezer compartments.
- Turn off the refrigerator and freezer compartments.
- Clean the appliance. Refer to **Cleaning**.
- Leave the door and both freezer drawers open to prevent unpleasant odors. This will also keep mold from building up.

Turning on the ice maker after vacation

- Turn on the appliance (if switched off).
- Fill the water tank with water.
- Touch the **IceMaker icon** so the **IceMaker LED** comes on.

IMPORTANT

Do not consume or use the first three batches of ice after the ice maker has been turned on again.

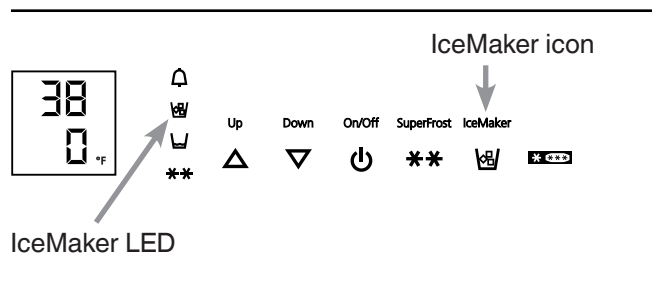


Figure 29

Troubleshooting

Your appliance is designed and manufactured for a long life and reliable operation.

If a problem occurs during operation, check whether it is due to an operating error. Please note that even during the warranty period, some repair costs may be your responsibility.

You may be able to correct the following faults by checking the possible causes yourself.

| Problem | Possible Cause and Remedy |
|---|---|
| Appliance does not work, display is off | <ul style="list-style-type: none"> - Is the appliance turned on properly? - Is the power cord properly inserted in the outlet? - Is the circuit breaker or fuse in operating condition? |
| The interior light does not come on | <ul style="list-style-type: none"> - Is the appliance turned on? - Is the interior light turned on? - The interior light is defective. Contact your Liebherr Dealer or Representative. |
| Motor seems to run too long | <ul style="list-style-type: none"> - Is the ambient temperature too hot? See Safety Regulations. - Has the appliance been opened too often or left open too long? - A large amount of food has been added. - Unit is in SuperCool mode. Verify unit is in normal operation mode. |
| The temperature is not cold enough | <ul style="list-style-type: none"> - Is the temperature setting correct? See Setting The Temperature. - Has an excessive amount of fresh food been placed in the appliance? - Does a separately installed thermometer show the correct reading? - Is the ventilation system working properly? - Is the appliance set up too close to a heat source? |
| Freezer temperature display shows two dashes "- -". | <p>The freezer temperature display will only show temperatures that are below freezing. When initially starting the freezer, it will not be below freezing. It will take three to five hours (depending on ambient conditions) for freezing temperatures to be achieved and thus displayed numerically.</p> <p>This may also occur after a power failure.</p> |

TROUBLESHOOTING

Ice Maker Troubleshooting

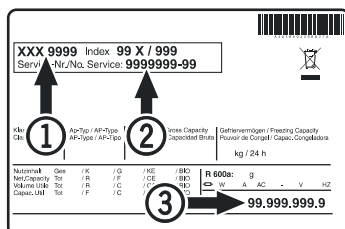
You may be able to correct the following faults yourself.

| Problem | Possible Cause and Remedy |
|---|---|
| Ice maker cannot be turned on | - Is the appliance connected to the electrical outlet? |
| Ice maker is not making any ice | - Is the ice maker turned on? - Are both freezer drawers closed properly? - Is there enough water in the water tank? - Has the water tank been inserted correctly? |
| The control lamp above the "On/Off" button flashes. | - Is there enough water in the water tank? - Has the water tank been inserted correctly? |

Customer Service

If none of the above possible causes apply, and you can not rectify the fault yourself, contact your nearest customer service representative.

Indicate the type (1) of appliance, service number (2) and the appliance / serial number (3) as indicated on the model plate.



The position of the model plate is shown in the section entitled **Description of the appliance**.

Appliance Information

Record this information when the appliance is installed.

Type Designation: _____

Service Number: _____

Appliance / Serial Number: _____

Date of Purchase: _____

Where Purchased: _____

For Service in the U.S.

Liebherr Service Center

Toll Free: **1-866-LIEBHER** or **1-866-543-2437**

Email: Service-appliances.us@liebherr.com

PlusOne Solutions, Inc.

3501 Quadrangle Blvd, Suite 120

Orlando, FL 32817

For Service in Canada

Liebherr Service Center

Toll Free: **1-888-LIEBHER** or **1-888-543-2437**

www.euro-parts.ca

EURO-PARTS CANADA

39822 Belgrave Road

Belgrave, Ontario, N0G 1E0

Phone: (519) 357-3320

Fax: (519) 357-1326



www.liebherr-appliances.com