



FORNO
Alta Qualita



FFRBI1844-36SB

36" Side by Side Refrigerator 20.0cuft, with Ice Maker

BEFORE USE, PLEASE READ AND FOLLOW ALL SAFETY RULES AND OPERATING INSTRUCTIONS.

TABLE OF CONTENTS

Customer Care	3
Appliance Safety	4
Important Safeguards	5
Parts and Features	6
Important Safety Instructions	7
Installation Instructions	8
Electrical Connection	9
Ice Maker warning	10
Operating Your Appliance	11
Sabbath Mode	12
Ice Maker	12
Ice and water dispenser / Ice maker install and uninstall	13
Switch off the ice maker / Water filter / Replace the filter	14
Cleaning Your Appliance	15
Power Failure / Vacation Time / Moving Your Appliance	15
Energy Saving Tips	15
Troubleshooting Guide	16
Wiring Diagram	17



WARNING: This product can expose you to chemicals including [Lead , Lead and lead compounds, Bisphenol A], which is [are] known to the State of California to cause cancer and birth defects or other reproductive harm.

For more information go to www.P65Warnings.ca.gov.

Customer Care

Thank you for purchasing a FORNO product. Please read the entire instruction manual before operating your new appliance for the first time. Whether you are an occasional user or an expert, it will be beneficial to familiarize yourself with the safety practices, features, operation and care recommendations of your appliance.

Both the model and serial number are listed inside the product. For warranty purposes, you will also need the date of purchase.

Record this information below for future reference.

SERVICE INFORMATION

Model Number

Use these numbers in any correspondence or service calls concerning your product.

Serial Number

If you received a damaged product, immediately contact the dealer (or builder) that sold you the product.

Date of Purchase

Save time and money. Before you call for service, check the Troubleshooting Guide. It lists the causes of minor operating problems that you can correct yourself.

Purchase Address & Phone

SERVICE IN CANADA:

Keep the instruction manual handy to answer your questions. If you don't understand something or you need more assistance, please call our Customer Service: 1-800-561-7265

Or email: service@distinctive-online.com

SERVICE IN THE UNITED STATES:

Keep the instruction manual handy to answer your questions. If you don't understand something or you need more assistance, please call our Customer Service: 1-866-231-8893

Or email: info@forno.ca

If your product ever requires servicing, be sure to use a FORNO Factory Certified Service provider recommended by our customer care center. All Factory Certified Service providers are carefully selected and thoroughly trained by us.

APPLIANCE SAFETY

Your safety and the safety of others are very important.

We have provided many important safety messages in this manual and on your appliance. Always read and obey all safety messages.



This is the Safety Alert Symbol. This symbol alerts you to potential hazards that can kill or injure you and others.

All safety messages will follow the Safety Alert Symbol and either the words "DANGER", "WARNING" or "CAUTION".



DANGER means that failure to heed this safety instruction may result in severe personal injury or death.



WARNING means that failure to heed this safety instruction may result in extensive product damage, serious personal injury, or death.



CAUTION means that failure to heed this safety statement may result in minor or moderate personal injury, or property or equipment damage.

All safety messages will alert you to what the potential hazard is, tell you how to reduce the chance of injury, and let you know what can happen if the instructions are not followed.



WARNING:

May cause cancer and reproductive harm

REFRIGERANT GAS WARNINGS

DANGER - Risk of fire or explosion. Flammable refrigerant used.
 DO NOT use mechanical devices to defrost refrigerator. DO NOT puncture refrigerant tubing.
 DANGER - Risk of fire or explosion. Flammable refrigerant used.
 To be repaired only by trained service personnel. DO NOT puncture refrigerant tubing.
 CAUTION - Risk of fire or explosion. Flammable refrigerant used.
 Consult repair manual / owner's guide before attempting to service this product.
 All safety precautions must be followed.
 CAUTION - Risk of fire or explosion. Dispose of property in accordance with federal or local regulations. Flammable refrigerant used.
 CAUTION - Risk of fire or explosion due to puncture of refrigerant tubing;
 Follow handling instructions carefully. Flammable refrigerant used.

Follow handling instructions carefully. Flammable refrigerant used.

IMPORTANT SAFEGUARDS



Before the beverage cooler is used, it must be properly positioned and installed as described in this manual, so read the manual carefully. To reduce the risk of fire, electrical shock or injury when using the beverage cooler, follow basic precautions, including the following:

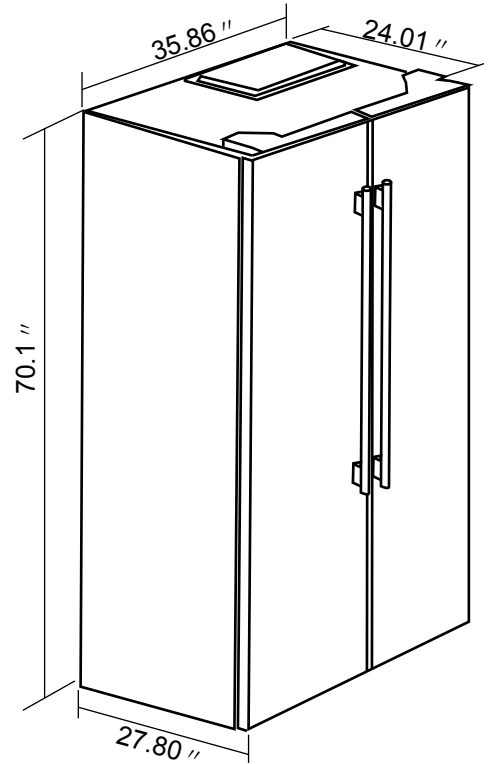
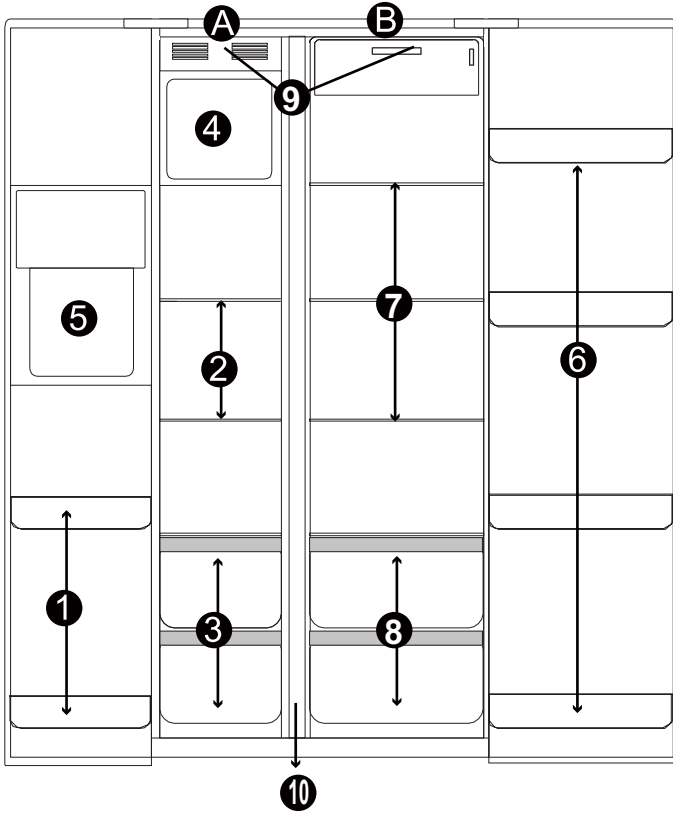
! DANGER !

- Plug into a grounded 3-prong outlet, do not remove grounding prong, do not use an adapter, and do not use an extension cord.
- Reinstall all panels before operating.
- It is recommended that a separate circuit, powering only your beverage cooler, be provided. Use receptacles that cannot be turned off by a switch or pull chain.
- Never clean appliance parts with flammable fluids. These fumes can create a fire hazard or explosion. Do not store or use gasoline or other flammable vapours and liquids in the vicinity of this or any other appliance. The fumes can create a fire hazard or explosion.
- Before proceeding with cleaning and maintenance operations, make sure the unit's power cord is unplugged.
- Do not connect or disconnect the electric plug when your hands are wet.
- Unplug the appliance or disconnect the power before cleaning or servicing. Failure to do so can result in electrical shock or death.
- Do not attempt to repair or replace any part of your appliance unless it is specifically recommended in this material. All other servicing should be left to a qualified technician.

! WARNING !

- Use two or more people to move and install the appliance. Failure to do so can result in an injury to the back or other part of the body.
- To ensure proper ventilation for your appliance, the unit must be completely unobstructed. Choose a well-ventilated area with temperatures above 55°F (13°C) and below 90°F (32°C). This unit must be installed in an area protected from the elements, such as wind, rain, water spray or sunlight.
- The appliance should not be located next to ovens, grills or other sources of high heat.
- The appliance must be installed with all electrical, water and drain connections in accordance with state and local codes. A standard electrical supply (115 VAC only, 60 Hz), properly grounded in accordance with the National Electrical Code and local codes and ordinances is required.
- Do not kink or pinch the appliance's power supply cord.
- The fuse (or circuit breaker) size should be 15 amperes.
- It is important for the appliance to be leveled in order to work properly. You may need to make several adjustments to level it.
- All installations must be in accordance with local plumbing code requirements.
- Make sure that the pipes are not pinched or kinked or damaged during installation.
- Check for leaks after connection.
- Never allow children to operate, play with or crawl inside the appliance
- Do not use solvent-based cleaning agents or abrasives on the interior surface. These cleaners may damage or discolour the interior.
- Do not use this appliance for uses other than its intended purpose.

PARTS AND FEATURES



1	(2) Freezer Door Bins	6	(4) Refrigerator Door Bins
2	(2) Freezer Shelves	7	(3) Refrigerator Shelves
3	(2) Freezer Drawers with Glass Cover	8	(2) Vegetable Crispers with Glass Cover
4	(1) Ice storage box	9	LED Interior Lighting in Each Section
5	(1)Dispenser	10	Section Separator

**** Note**

The section separator area contains a condensation-free heater and will be warm to the touch during the anti-condensation cycle to prevent condensation forming between the two sections.

IMPORTANT SAFETY INSTRUCTIONS

⚡ WARNING ⚡

To reduce the risk of fire, electrical shock, or injury when using your refrigerator-freezer, follow these basic precautions:

- Read all instructions before using the refrigerator-freezer.
- DANGER or WARNING:** Risk of child entrapment. Before you throw away your old refrigerator or freezer:
 - Take off the doors.
 - Leave the shelves in place so that children may not easily climb inside.
- Never allow children to operate, play with, or crawl inside the refrigerator-freezer.
- Never clean refrigerator-freezer parts with flammable fluids. The fumes can create a fire hazard or explosion.
- Do not store or use gasoline or any other flammable vapours and liquids in the vicinity of this or any other refrigerator-freezer. The fumes can create a fire or explosion hazard.
- This appliance is not intended for use by persons (including children) with reduced physical, sensory or mental capabilities, or lack of experience and knowledge, unless they are being supervised or given instructions on the use of the appliance by a person who is responsible for their safety.
- Children should be supervised to ensure that they do not play with the appliance.
- If the power cord is damaged, it must be replaced by the manufacturer, its service agent or similar qualified person in order to avoid a hazard.
- Do not store explosive substances such as aerosol cans with a flammable propellant in this appliance.
- WARNING:** Keep ventilation openings in the appliance enclosure or the built-in structure clear of obstruction.
- WARNING:** Do not use mechanical devices or other means to accelerate the defrosting process, other than those recommended by the manufacturer.
- WARNING:** Do not damage the refrigerant circuit.
- WARNING:** Do not use electrical appliances inside the food storage compartments of the appliance, unless they are of the type recommended by the manufacturer.
- This appliance is intended to be used in household and similar applications such as staff kitchen areas in shops, offices and other work environments; farmhouses and by clients in hotels, motels and other hospitality environments; bed and breakfast type environments; catering and similar non-retail applications.
- If the LED light is damaged, it must be replaced by the manufacturer, its service agent or similarly qualified person in order to avoid hazards.
- The new hose-sets supplied with the appliance are to be used. Any old hose-sets should not be re-used.
- WARNING:** Connect to potable water supply only.

-Save these instructions-

INSTALLATION INSTRUCTIONS

➤ Before Using Your Appliance

- Remove the exterior and interior packaging.
- Check to be sure you have all the following parts:

1	(2) Freezer Door Bins	6	(4) Refrigerator Door Bins
2	(2) Freezer Shelves	7	(3) Refrigerator Shelves
3	(2) Freezer Drawers with Glass Cover	8	(2) Vegetable Crispers with Glass Cover
4	(1) Ice storage box		
5	(1)Dispenser		

- Before connecting the unit to the power source, let it stand upright for approximately 2 hours. This will reduce the possibility of a malfunction in the cooling system due to handling during transportation.
- Clean the interior surface with lukewarm water using a soft cloth.

➤ Installing Your Appliance

- Place your refrigerator-freezer on a floor that is strong enough to support the refrigerator- freezer when it is fully loaded. To level your refrigerator-freezer, adjust the leveling legs at the bottom of unit.

• ALLOW TWO (2)INCHES OF SPACE BETWEEN THE BACK OF THE APPLIANCE AND THE WALL AS WELL AS A MINIMUM OF TWO (2)INCHES AT EACH SIDE OF THE UNIT AND FOUR (4) INCHES AT THE TOP, WHICH ALLOWS PROPER AIR CIRCULATION TO COOL THE COMPRESSOR AND CONDENSER.

<u>Minimum Space Allowances</u>	
<u>Top</u>	<u>Four (4) inches</u>
<u>Sides</u>	<u>Two (2) inches on each side</u>
<u>Back</u>	<u>Two (2) inches at the back</u>

- Locate the unit away from direct sunlight and heat sources (stove, heater, radiator, etc.). Direct sunlight may affect the acrylic coating and heat sources may increase power consumption. Extreme cold room temperatures may also cause the refrigerator- freezer to not perform properly.
- Avoid placing the unit in a moist area.
- Plug the unit into an exclusive, properly-installed grounded wall outlet. Do not under any circumstances cut or remove the third (ground) prong from the power cord. Any questions concerning power and/or grounding should be directed to a certified electrician or an authorized FORNO Products service centre.

➤ Door alarm

※ The appliance is equipped with an automatic alarm which indicates that one of the doors of the appliance are opened for a longer period of time.

1. If one of the doors is opened for more than 1 minute,an acoustic warning signal sound.
2. If the door is opened for a prolonged period of time, the acoustic warning signal will sound three times every 30 seconds.

- ⚠ The door alarm can **also** be quitted **permanently** by closing the corresponding door.
- ⚠ In order to save energy a prolonged opening of the doors should be avoided.

➤ Fridge compartment switch off/on

※ Long press"fridge"button for 5 seconds to set fridge compartment on/off,when fridge compartment is switched off,the fridge temperature digital display will go off;under the fridge compartment switched off state,long press "fridge"button for 5 seconds to restart fridge function.

Electrical Connection

⚡ Warning ⚡

Improper use of the grounded plug can result in an electrical shock hazard. If the power cord is damaged, have it replaced by an authorized FORNO Products service centre.

This appliance should be properly grounded for your safety. The power cord of this appliance is equipped with a three-prong plug, which mates with standard three prong wall outlets to minimize the chance of electrical shock.

Do not under any circumstances cut or remove the third (ground) prong from the supplied power cord.

This appliance requires a standard 115 Volt~/60Hz electrical outlet with three-prong ground plug.

The cord should be secured behind the appliance and not left exposed or dangling to prevent accidental injury.

Never unplug the appliance by pulling the power cord. Always grip the plug firmly and pull straight out from the receptacle.

Do not use an extension cord with this appliance. If the power cord is too short, have a qualified electrician or service technician install an outlet near the appliance.

EXTENSION CORD

Because of potential safety hazards under certain conditions, it is strongly recommended that you do not use an extension cord with this unit. However, if you must use an extension cord it is absolutely necessary that it be a UL/CUL-Listed,3-wire grounded appliance-type extension cord with a ground plug and outlet, and that the electrical rating of the cord be 115 volts and at least 15 amperes.

SURGE PROTECTOR

Most electrical appliances use a series of electric control boards to operate. These boards are very susceptible to power surges and could be damaged or destroyed.

If the appliance is going to be used in an area or if your city / country is prone to power surges / outages; it is suggested that you use a power surge protector for all electrical devices / appliances you use. The surge protector that you select must have a surge block high enough to protect the appliance it is connected to. If you have any questions regarding the type and size of surge protector needed, contact a licensed electrician in your area.

Damages due to power surges are not considered a manufacturer covered defect and will void your product warranty.

DANGER

- Do not place your hand into the mechanical part of the ice maker (above the ice making tray). Doing so may result in injury.
- To avoid electric shock, which can cause death or severe personal injury, disconnect the refrigerator from electrical power before connecting a water supply line to the refrigerator.

WARNING

- The ice maker kit should be installed only by an authorized service technician.
- Connect the ice maker to a drinkable water supply only.
- DO NOT install water supply tubing in areas where temperatures fall below freezing.
- If the water supply is from a water softener, ensure that the softener is maintained and working properly. Chemicals from a malfunctioning softener can damage the ice maker.

➤ Tips

- If the ice maker will be turned off for a long period of time, turn the water supply valve to the closed position.
- Switch off the ice maker when cleaning the freezer or during short vacations.
- It takes approximately 8-24 hours for the ice maker to start producing normal ice cubes. Air in new plumbing lines may cause ice maker to cycle two or three times before making a full tray of ice. New plumbing may cause ice to be discoloured or to have poor flavour during the first 24 hours.

➤ Making Ice Cubes

- Make sure to disconnect the refrigerator from the electrical power supply before installing the water supply pipes properly according to the installation manual. Once the water supply is connected properly, connect the refrigerator to the electrical power supply.
- The time needed to make ice will vary according to room temperature, water type, amount and temperature of the water inside the ice making tray, as well as the machine's status.
- The size of the ice cubes will vary according to the amount of water inside the ice storage box.
- The ice cubes will stick together or become smaller when storing for extended periods of time.
- Be careful not to injure your hand when breaking apart ice cubes that are stuck together.

**The water supply system must be installed and connected by a professional technician.
(WARNING: Connect to drinkable water supply only.)**

Access to a household cold water line with water pressure:

Min. pressure: 1.4bar

Max. pressure: 6.9bar

- A shutoff valve to connect the water supply line to your household water system.
DO NOT use a self-piercing type shutoff valve.

➤ To Connect Water Supply Line to Ice maker Inlet Valve

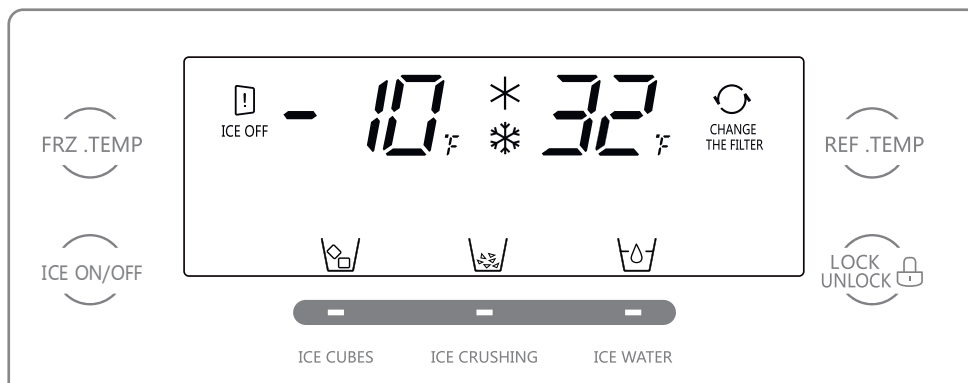
- Disconnect refrigerator from electrical power supply.
- Remove all installation accessories (water pipe, connector, washer, clip) from inside the refrigerator.
- Tighten all connections where they might leak, turn on the water supply at shutoff valve.
- Reconnect refrigerator to the electrical power supply.

➤ Tips

The ice maker will work normally only when its sensor detects the environment temperature to reach -13°C.

When the first time the refrigerator is plugged-in, after 8-24 hours (depending on the amount of food stored in the refrigerator), the ice maker will start to work normally when it is at ON position. After the ice maker has been working for 72 hours, the storage tray will be full of ice-cube.

OPERATING YOUR APPLIANCE



Set temperature range:

1.Fridge temperature range: 32~43°F (Default value 38°F)

2.Freezer temperature range: -10~5°F (Default value -2°F)

CONTROL PANEL – CHILD LOCK

This product has button lock function.

When lock the control panel, the other buttons are inoperable, if touch other buttons, REF. TEMP and FRZ. TEMP icon will flash.

To exit lock mode, press and hold the lock button for 3s.

CONTROL PANEL – STANDBY

The CONTROL PANEL will go dark after approximately 20 seconds of no activity.

To reactivate the display, simply press any of the buttons on the control panel.

Setting the Temperature Control

- Your unit has one control for regulating the temperature. The temperature control is located on the side of the refrigerator compartment door.
- The first time you turn the unit on, the unit will start at the factory-set default temperature, which is 38°F in the refrigerator compartment and -02°F in the freezer compartment.
- The first time you turn the unit on, adjust the temperature in the refrigerator compartment to 32°F and run for at least 4 hours before placing food inside. This will ensure that the freezer compartment is thoroughly chilled and the refrigerator compartment is stabilized before food is placed inside. Then adjust the temperature setting to your desired setting.
- To adjust the temperature in each zone, press the appropriate zone button, and the selected zone will flash on and off.

R-chamber temperature setting

- The default temperature of the fridge is 38°F. To change the temperature press the REF. TEMP button to cycle through the set temperatures:

→38→36→34→32→32+ (Super fridge)→43→41→39→38

F-chamber temperature setting

- The default temperature of the freezer is -02°F. To change the temperature press the FRZ.TEMP button to cycle through the set temperatures:
-02→-04→-06→-08→-10→-10+ (Super freezer)→05→04→02→00.

CAUTION: Do not put fresh roods directly on the frozen foods.

Sabbath Mode

1. How to enter Sabbath mode:

when the freezer is open, press and hold the "Fridge" button + the "Lock" button for 10 seconds;

2. In Sabbath mode:

a. There is no door opening alarm;

b. The LED lights in both refrigerator and freezer compartment are off;

c. The display panel does not display unless it is adjusted manually ;

*In Sabbath mode, it will still display and emit light after touching the panel, but it will turn off after waiting for 20 seconds without operation or after opening and closing the door once.

d. The refrigerator meets the normal refrigeration demand;

3. How to exit Sabbath mode:

a. When the freezer is open, press and hold the "Fridge" button + the "Lock" button for 10 seconds to exit manually;

b. When the working period of Sabbath mode exceeds 80 hours, it will automatically exit.

Ice Maker

This ice maker works automatically (automatic water supply, automatic production and detaching of ice cubes), therefore there is no need to supply water manually. When the ice cube storage is full, the sensor rod will automatically send a signal to the machine to stop making ice.

⚡ WARNING ⚡

Do not take ice cubes with fragile containers to avoid injuries caused by breakage.

Do not touch the ice outlet with fingers to prevent crushed ice from injuring hands.

➤ **When a new refrigerator is started, attention shall be paid to the following:**

- When taking ice cubes or crushed ice, please take off the thermal insulation cover; while at other times, please make sure the thermal insulation cover is covered export.
- When taking water from a new refrigerator for the first time, press and hold the ice discharge button, take the first 1 ~2 L of water and discard and then take water for drinking;
- When using the ice maker for the first time, the first box of ice is not suitable for eating from the point of sanitation.

➤ **Other precautions:**

- Do not use too deep, narrow or soft cups, and put the cup close to the ice outlet to prevent ice cubes from jumping on the ground; keep a proper distance between the cup and ice outlet; if the cup is too close to the ice outlet, it may obstruct ice discharge; after the cup is full. release the ice discharge button to prevent ice cubes from spilling on the ground.
- When taking ice or water, please keep the cup at the ice outlet for 2s ~ 3s after releasing the ice discharge button, because there may be ice or water coming out at the moment. After confirming there is no ice or water coming out, just take away the cup.
- If using crushed ice function only, the ice outlet may be blocked by crushed ice, and remove residual crushed ice; when selecting ice cube after crushed ice, there may be a little crushed ice.
- In case of power-off for a long time, ice in the ice storage box may melt into water which then flows into the freezing chamber; in this case, take out the ice storage box and discard ice, and wipe away water in the ice storage box and freezing chamber.

Tips

The ice maker will work normally only when its sensor detects the environment temperature to reach-13°C .

When the first time the refrigerator is plugged-in,after 8-24 hours(depending on the amount of food stored in the refrigerator), the ice maker will start to work normally when it is at ON position. After the ice maker has been working for 72 hours, the storage tray will be full of ice-cube.

Make ice

The ice maker and ice storage box are arranged at the upper part of freezing chamber. When using the ice maker, please make sure that the ice maker switch is turned on and the water system is connected, and the ice maker will make ice automatically; when the ice storage box is full of ice, the ice making process will stop automatically.

The ice maker can make about 1,500g of ice every 24 hours.

When the freezing chamber reaches the set temperature, the ice maker can make the first batch of ice just for several hours.

CAUTION:


When the ice maker is making ice cubes, you may hear the beep from water valve, flowing sound of water into ice maker, and falling sound of ice cubes.

The catch basin shall be cleared timely to prevent water from spilling to destroy the floor.

Ice and water dispenser


ICE CUBES



- Touch “ICE CUBES” button, if [] indicator comes on, press and hold ice discharge button with the glass cup, and ice cubes will come out.


ICE CRUSHING



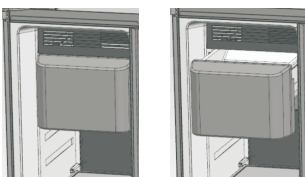
- Touch “ICE CRUSHING” button, if [] indicator comes on, press and hold ice discharge button with the glass cup, and crushed ice will come out.

ICE WATER



- Touch “ICE WATER” button, if [] indicator comes on, press and hold ice discharge button with the glass cup, and cold water will come out.

Ice maker install and uninstall



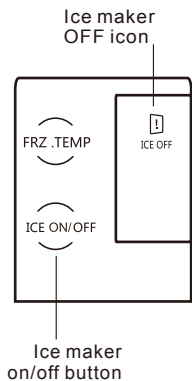
It is suggested to remove the ice maker, clean, and then install when it is used for the first time or for a long time.

Please power off the refrigerator before removal.

Take out the ice storage box ,lift forcibly with both hands, and then pull it out;
Clean, dry and then install.

When installing the ice storage box , align the bottom with the rails at both sides, put into the rails, and then push;

Switch off the ice maker



If the ice maker function is not needed for a long time, please switch off the ice maker temporarily;

Hint: This only disables the ice making function; the remaining ice in the ice storage box can be taken still, and water system operates normally.

Press "ICE ON/OFF" button for 3s to switch off the ice maker, then the ICE ON/OFF icon is lighted.

After the ice maker is turned off, the ice/water icon on the control panel is displayed still, and "ICE CUBES /ICE CRUSHING/ICE WATER" button is enabled, not affecting ice/water discharge.

CAUTION:

Before switching off the ice maker, you must disconnect the water system of refrigerator several hours in advance; after switching off the ice maker, empty and clean the ice storage box, and then put it back.

When the ice maker function is enabled, if there is ice in the ice storage box still, ice may fall during self-check of the refrigerator.

Water filter

CAUTION:

- Do not use the Ice / Water Dispensing system at places where water quality is poor or water pollution is not confirmed fully.
- The filter can be bought from After-sales Service Center.
- The filter element in the ice maker can be using 180 days. After 165 days using, the indicator lamp of the filter element will flash. the icon of the display of the filter element will always bright more than 180 days. It reminds the users need replace the filter element. After replacing the filter element, press "ICE WATER" more than 5 seconds, the changing icon of filter element will extinguish.

Important information on water filter

- If the refrigerator is idle for a long time or drinking water has abnormal taste, clean the water system fully, and just take water from the ice and water dispenser for several minutes. If there is bad odor or taste, the filter shall be replaced.

Replace the filter

- Before replacing the filter, you must disconnect the power plug of refrigerator or turn off the main power switch, and cut off the water source.
- Unscrew and take down the filter according to the arrow indication on the filter;
- Insert the new filter, and tighten;
- After replacing the filter, take some water from the ice and water dispenser to remove air from the water system;
- Discard the waste filter directly into a garbage can

CAUTION:

The water filter aims at the particles in water, other than bacteria or microorganisms.

NOTE:

WE DO NOT RECOMMEND INSTALLING THE REFRIGERATOR WHERE THE TEMPERATURE WILL DROP BELOW 32°F (0°C) OR RISE ABOVE 110°F (43°C). THE COMPRESSOR WILL NOT BE ABLE TO MAINTAIN PROPER TEMPERATURES INSIDE THE REFRIGERATOR.

FOR INSTALLATIONS WHERE THE TEMPERATURES WILL DROP BELOW 32°, SET THE FREEZER TEMPERATURE CONTROL TO THE “COLDEST” SETTING. THIS WILL IMPROVE THE FUNCTIONING THE REFRIGERATOR UNDER THESE CONDITIONS.

CARE AND MAINTENANCE

➤ Cleaning Your Appliance

- Unplug the unit and remove the food and bins.
- Wash the inside with a warm water and baking soda solution. The solution should be about 2 tablespoons of baking soda to a quart of water.
- Wash the bins with a mild detergent solution.
- The outside of the unit should be cleaned with mild detergent and warm water.
- During cleaning, make sure that no water will enter the switch, control panel, door lamp and top control box.
- Remove dirt from the outside of refrigerator with mild cleaner, then wipe with clean soft cloth, and let the refrigerator dry naturally.
- When cleaning door sealing strip, always use clean water, wipe with dry cloth and let it dry naturally. Wet soft cloth with warm water or neutral cleaner to wipe the refrigerator body except the door sealing strip.
- It is forbidden to flush the refrigerator directly with water, which will affect electrical insulation properties, etc.
- It is forbidden to clean the refrigerator with metal wipers, wire brushes, coarse abrasive cleaners, strong alkaline detergents, or flammable or toxic cleaning fluids

CAUTION

Failure to unplug the refrigerator-freezer could result in electrical shock or personal injury.

➤ Power Failure

- Most power failures are corrected within a few hours and should not affect the temperature of your refrigerator-freezer if you minimize the number of times the door is opened. If the power is going to be off for a longer period of time, you need to take the proper steps to protect your food.

➤ Vacation Time

Short vacations: Leave the unit operating during vacations lasting less than three weeks.

Long vacations: If the appliance will not be used for several months, remove all food and unplug the power cord. Clean and dry the interior thoroughly. To prevent odour and mold growth, leave the door open slightly, wedging it open if necessary.

➤ Moving Your Appliance

- Remove all food inside the appliance.
- Securely tape down all loose items inside the unit.
- Turn the leveling screws up to the base to avoid damage.
- Tape the door shut.
- Be sure the unit stays in the upright position during transportation.

➤ Energy Saving Tips

- The unit should be located in the coolest area of the room, away from heat-producing appliances or heating ducts, and out of direct sunlight.
- Let hot foods cool to room temperature before placing them in the unit. Overloading the unit forces the compressor to run longer. Foods that freeze too slowly may lose quality or spoil.
- Be sure to wrap foods properly, and wipe containers dry before placing them in the unit. This cuts down on frost build-up inside the freezer.
- Organize and label food to reduce the frequency of door openings and extended searches for items inside the unit. Remove as many items as needed at one time and close the door as soon as possible.

➤ PROBLEMS WITH YOUR APPLIANCE?

You can solve many common refrigerator-freezer problems easily, saving you the cost of a possible service call. Try the suggestions below to see if you can solve the problem before calling for service.

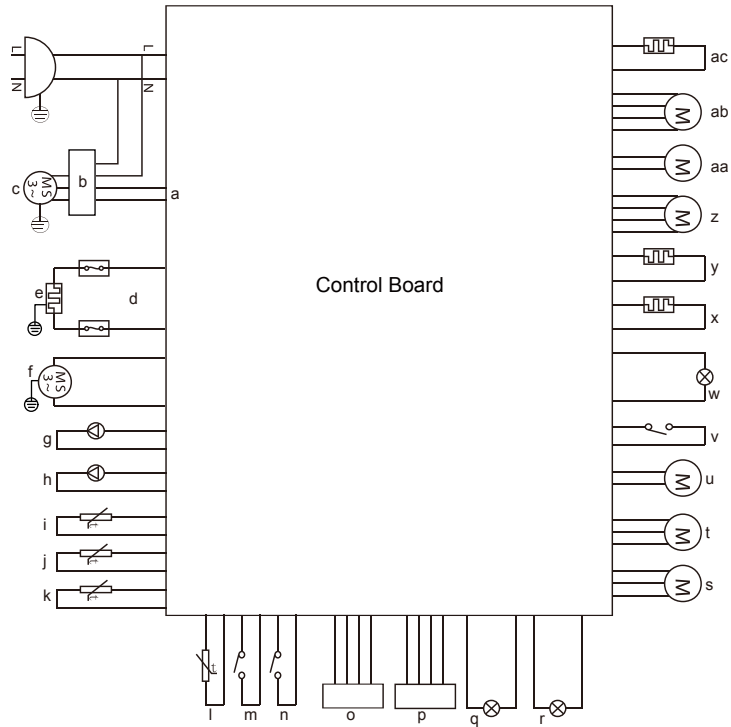
TROUBLESHOOTING GUIDE

PROBLEM	POSSIBLE CAUSE
Unit does not operate.	Not plugged in. The circuit breaker tripped or there is a blown fuse.
Compressor turns on and off frequently.	The room temperature is hotter than normal. A large amount of food has been added to the refrigerator - freezer. The door is being opened too often. The door is not closed completely. The temperature control is not set correctly. The door gasket does not seal properly. The refrigerator-freezer does not have the correct clearances.
Vibrations.	Check to make sure that the refrigerator-freezer is level.
The unit seems to make too much noise.	The rattling noise may come from the flow of refrigerant, which is normal. As each cycle ends, you may hear gurgling sounds caused by the flow of refrigerant in your refrigerator - freezer. Contraction and expansion of the inside walls may cause popping and crackling noises. The unit is not level.
The door will not close properly.	The unit is not level. The door is reversed and not properly installed. The gasket is dirty. The bins are out alignment.
Section separator seems to be warm to the touch.	This is normal. The section separator area contains an anti-condensation heater and will be warm to the touch during the anti-condensation cycle to prevent condensation forming between the two sections.

NOTE:

- **IF THE UNIT IS UNPLUGGED, HAS LOST POWER, OR IT IS TURNED OFF. YOU MUST WAIT 3 TO 5 MINUTES BEFORE RESTARTING THE UNIT. IF YOU ATTEMPT TO RESTART BEFORE THIS TIME DELAY, THE REFRIGERATOR-FREEZER WILL NOT START.**

WIRING DIAGRAM



a-Signal
 b-Inverter
 c-Compressor
 d-Thermal protector
 e-Defrost heater
 f-Push ice motor
 g-Drinking water valve

h-I/M water valve
 i-R. sensor
 g-F. sensor
 k-Defrost sensor
 l-I/M sensor
 m-F. door switch
 n-R. door switch

o-Temp. and Humidity sensor
 p-Display board
 q-F. lamp
 r-R. lamp
 s-F. fan motor
 u-Ice outlet valve motor

v-Micro switch
 w-IWD lamp
 x-Ice outlet valve heater
 y-IWD heater
 z-I/M drive
 aa-Ice select motor
 ab-Stepping motor
 ac-Damper heater



FORNO

Alta Qualita



FFRBI1844-36SB

**Réfrigérateur-congélateur 36 po côte à côte de 20,0 pieds cubes,
avec machine à glaçons**

**AVANT UTILISATION, VEUILLEZ LIRE ET SUIVRE TOUTES LES RÈGLES DE SÉCURITÉ ET
LES INSTRUCTIONS D'UTILISATION.**

TABLE DES MATIÈRES

Service à la clientèle	19
Sécurité de l'appareil	20
Consignes de sécurité importantes	21
Pièces et caractéristiques	22
Consignes de sécurité importantes	23
Instructions d'installation	24
Connexion électrique	25
Avertissement de la machine à glace	26
Utilisation de votre appareil	27
Mode sabbat	28
Machine à glaçons automatique / Distributeur de glace et d'eau /	29
Installation et désinstallation de la machine à glaçons	29
Mise hors tension de la machine à glaçons / Filtre à eau / Remplacement du filtre	30
Nettoyage et entretien	31
Nettoyage de votre appareil	31
Panne de courant / Périodes de vacances / Déplacement de votre appareil	31
Conseils d'économie d'énergie	31
Guide de dépannage	32
Diagramme de câblage	33



AVERTISSEMENT: Ce produit peut vous exposer à des agents chimiques, y compris [Plomb, Composés de plomb et de plomb, Bisphénol A], identifiés par l'État de Californie comme pouvant causer le cancer et des malformations congénitales ou autres effets nocifs sur la reproduction. Pour de plus amples informations, prière de consulter www.P65Warnings.ca.gov.

SERVICE À LA CLIENTÈLE

Merci d'avoir acheté un produit FORNO. Veuillez lire le manuel d'utilisation en entier avant la première utilisation. Que vous soyez un utilisateur occasionnel ou averti, vous aurez avantage à vous familiariser avec les mesures de sécurité, les caractéristiques, le fonctionnement et les recommandations d'entretien et de nettoyage de votre appareil.

Le numéro de modèle et le numéro de série sont indiqués à l'intérieur de l'appareil. Pour fins de garantie, vous aurez besoin de la date d'achat. Notez l'information ci-dessous pour référence ultérieure.

INFORMATION À FOURNIR POUR TOUTE RÉPARATION

Numéro de modèle :

Utilisez ces numéros pour toute correspondance ou pour tout appel au service des réparations concernant votre appareil.

Numéro de série :

Si vous avez reçu un appareil endommagé, communiquez immédiatement le détaillant (ou le fabricant) qui vous a vendu l'appareil.

Date d'achat :

Adresse et numéro de téléphone où l'appareil a été acheté :

Économisez temps et argent. Avant tout appel de réparation, vérifiez le guide de dépannage. Vous y trouverez une liste des causes de problèmes mineurs que vous pouvez réparer vous-même.

POUR UNE RÉPARATION AU CANADA :

Conservez ce manuel d'instruction à portée de main si vous avez des doutes. Pour plus de précision ou si vous avez besoin d'aide, veuillez communiquer avec notre service à la clientèle au : 1-800-561-7265

Vous pouvez également écrire à : service@distinctive-online.com

POUR UNE RÉPARATION AUX ÉTATS-UNIS :

Conservez ce manuel d'instruction à portée de main si vous avez des doutes. Pour plus de précision ou si vous avez besoin d'aide, veuillez communiquer avec notre service à la clientèle au : 1-866-231-8893

Vous pouvez également écrire à : info@forno.ca

En cas de problème, veuillez faire appel à un fournisseur de service FORNO agréé par notre service à la clientèle. Tous nos fournisseurs de service agréés sont soigneusement choisis et rigoureusement formés par nous.

SÉCURITÉ DE L'APPAREIL

Votre sécurité et celle des autres sont très importantes pour nous.

Nous avons fourni de nombreux messages de sécurité importants dans ce manuel et sur votre appareil. Toujours lire et suivre les consignes de sécurité.



Symbole d'alerte de sécurité. Ce symbole vous alerte sur les dangers potentiels pouvant vous tuer et blesser d'autres personnes. Tous les messages de sécurité suivront le Symbole d'alerte de sécurité et les mots « DANGER », « AVERTISSEMENT » ou « MISE EN GARDE ».



Le symbole « Danger » signifie que le non-respect de cette consigne peut causer de graves blessures corporelles ou entraîner la mort.



Le symbole « Avertissement » signifie que le non-respect de cette consigne de sécurité peut entraîner de sérieux dommages au produit, des blessures graves ou la mort.



Le symbole MISE EN GARDE signifie que le non-respect de cette consigne de sécurité peut entraîner des blessures mineures ou modérées ou des dommages matériels.

Tous les messages de sécurité vous alerteront sur les dangers potentiels, en vous informant sur la manière de réduire les risques de blessures et sur ce qui peut arriver si les consignes ne sont pas respectées.



AVERTISSEMENT:

Produit cancérigène et responsable de troubles liés à la reproduction

AVERTISSEMENTS RELATIFS AU GAZ RÉFRIGÉRANT

DANGER Risque d'incendie ou d'explosion. Frigorigène inflammable utilisé. Ne pas utiliser d'appareils mécaniques pour dégivrer le réfrigérateur. Ne pas perforer la conduite de frigorigène.

DANGER Risque d'incendie ou d'explosion. Frigorigène inflammable utilisé. La réparation doit être faite seulement par un personnel qualifié. Ne pas perforer la conduite de frigorigène.

ATTENTION Risque d'incendie ou d'explosion. Frigorigène inflammable utilisé. Consulter le manuel de réparation/manuel du propriétaire avant d'entreprendre l'entretien de ce produit. Toutes les mesures de sécurité doivent être respectées.

ATTENTION Risque d'incendie ou d'explosion. Éliminer convenablement conformément à la réglementation fédérale ou locale Frigorigène inflammable utilisé.

ATTENTION La perforation de la conduite de frigorigène peut entraîner un incendie ou une explosion. Suivre avec soin les instructions fournies. Frigorigène inflammable utilisé.

DANGER Risque d'incendie ou d'explosion. Frigorigène inflammable utilisé. Ne pas utiliser d'appareils mécaniques pour dégivrer le réfrigérateur. Ne pas perforer la conduite de frigorigène.

DANGER Risque d'incendie ou d'explosion. Frigorigène inflammable utilisé. La réparation doit être faite seulement par un personnel qualifié. Ne pas perforer la conduite de frigorigène.

ATTENTION Risque d'incendie ou d'explosion. Frigorigène inflammable utilisé. Consulter le manuel de réparation/manuel du propriétaire avant d'entreprendre l'entretien de ce produit. Toutes les mesures de sécurité doivent être respectées.

ATTENTION Risque d'incendie ou d'explosion. Éliminer convenablement conformément à la réglementation fédérale ou locale Frigorigène inflammable utilisé.

ATTENTION La perforation de la conduite de frigorigène peut entraîner un incendie ou une explosion. Suivre avec soin les instructions fournies. Frigorigène inflammable utilisé.

CONSIGNES DE SÉCURITÉ IMPORTANTES



Lire attentivement le présent manuel et installer et positionner correctement l'appareil avant d'utiliser le refroidisseur de boissons. Pour réduire les risques d'incendie, d'électrocution ou de blessures lors de l'utilisation du refroidisseur de boissons, suivez ces précautions de base :

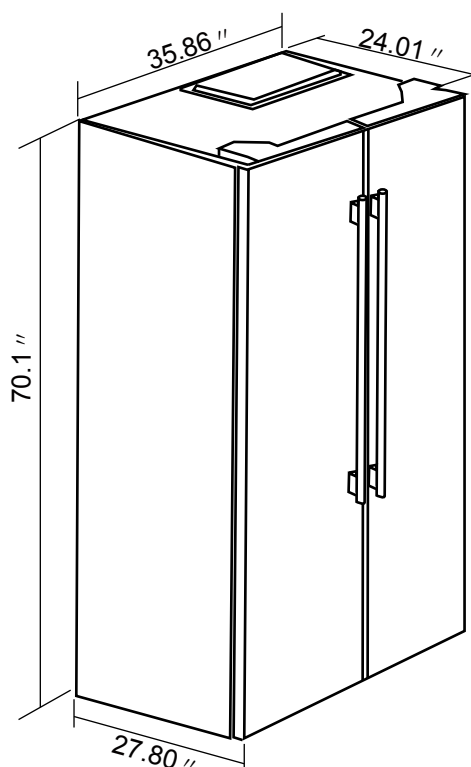
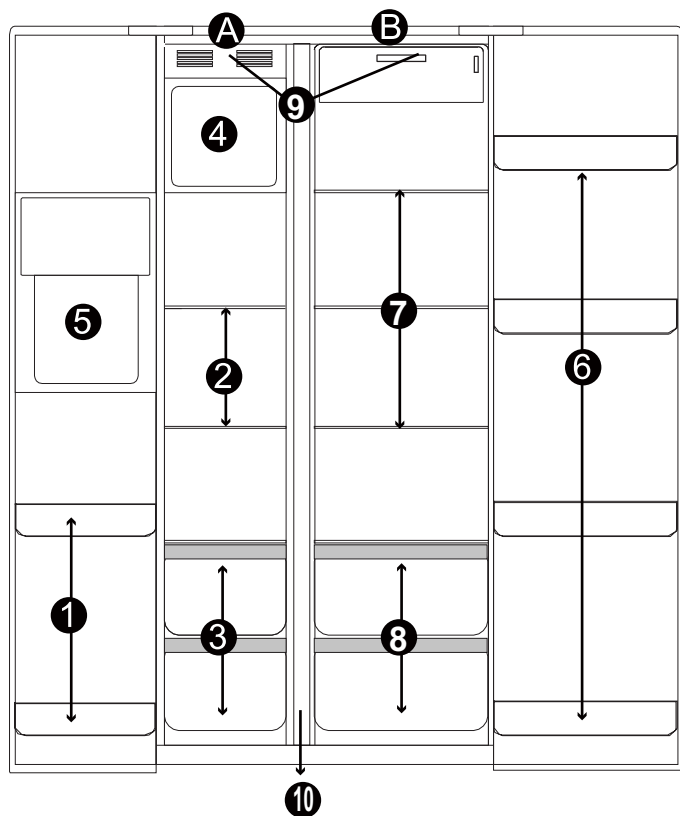
! DANGER !

- Brancher sur une prise à 3 broches mise à la terre; ne pas retirer la broche de mise à la terre; ne pas utiliser d'adaptateur et ne pas utiliser de rallonge.
- Remplacer tous les panneaux avant la mise en marche.
- Il est recommandé d'utiliser un circuit distinct et réservé au refroidisseur de boissons uniquement. Utiliser des prises qui ne peuvent pas être désactivées par un commutateur ou interrupteur à tirage.
- Ne jamais nettoyer les pièces de l'appareil avec des liquides inflammables. Les émanations peuvent provoquer un risque d'incendie ou d'explosion. Ne pas ranger ou utiliser de l'essence ou d'autres vapeurs et liquides inflammables à proximité de cet appareil ou de tout autre appareil. Les émanations peuvent provoquer un risque d'incendie ou d'explosion.
- Avant de procéder aux opérations de nettoyage et d'entretien, assurez-vous que la ligne d'alimentation électrique de l'appareil est débranchée.
- Ne pas brancher ou débrancher la prise électrique avec les mains mouillées.
- Débrancher l'appareil ou couper le courant avant le nettoyage ou l'entretien. Le non-respect de cette consigne peut entraîner une décharge électrique ou la mort.
- Ne pas tenter de réparer ou de remplacer une partie de votre appareil à moins qu'il ne soit spécifiquement recommandé de le faire dans ce manuel. Toutes les autres réparations doivent être confiées à un technicien qualifié.

! AVERTISSEMENT !

- Il faut deux personnes ou plus pour déplacer et installer le réfrigérateur. Le non-respect de cette consigne peut causer des blessures au dos ou autres.
- Pour assurer une ventilation appropriée de votre appareil, il doit être complètement dégagé. Choisissez un endroit bien aéré avec des températures supérieures à 55 °F (13 °C) et en dessous de 90 °F (32 °C). Cet appareil doit être installé dans une zone protégée des éléments, tels que le vent, la pluie, les gouttelettes d'eau ou la lumière du soleil.
- L'appareil ne doit pas être situé à proximité de fours, grilles ou d'autres sources de chaleur intense.
- Cet appareil doit être installé avec tous les raccordements d'électricité, d'arrivée d'eau et de vidange conformément aux codes régionaux et locaux. Une alimentation électrique standard (115 V CA seulement, 60Hz), correctement mise à la terre conformément au Code national de l'électricité et aux codes et ordonnances locaux est requise.
- Ne pliez pas et ne pincez pas le cordon d'alimentation de l'appareil.
- La taille du fusible (ou du disjoncteur) doit être de 15 ampères.
- Il est important que l'appareil soit mis à niveau pour fonctionner correctement. Vous devrez peut-être faire plusieurs ajustements pour le niveler.
- Toutes les installations doivent être effectuées conformément aux exigences des codes locaux de plomberie.
- Assurez-vous que les tuyaux ne sont pas pincés, pliés ou endommagés lors de l'installation.
- Vérifiez les fuites après le raccordement.
- Ne laissez jamais les enfants utiliser, jouer ou grimper à l'intérieur de l'appareil.
- N'utilisez pas de produits de nettoyage à base de solvants ni d'abrasifs à l'intérieur. Ces nettoyeurs peuvent endommager ou décolorer l'intérieur.
- Ne pas utiliser cet appareil à des fins autres que celles prévues.

PIÈCES ET CARACTÉRISTIQUES



1	(2) Plateau de la porte du congélateur	6	(4) Plateau de la porte du réfrigérateur
2	(2) Tablettes en verre du congélateur	7	(3) Tablettes en verre du réfrigérateur
3	(2) Tiroir du congélateur	8	(2) Tiroir du réfrigérateur
4	(1) Bac à glaçons	9	LED Light
5	(1) Distributeur	10	Séparateur de section

** Remarque

La zone du séparateur de sections contient un dispositif de chauffage anti-condensation et sera chaude au toucher lors du cycle d'anti-condensation pour éviter la formation de condensation entre les deux sections.

CONSIGNES DE SÉCURITÉ IMPORTANTES

⚡ AVERTISSEMENT ⚡	<p>Pour réduire le risque d'incendie, de choc électrique ou de blessure lors de l'utilisation de votre réfrigérateur</p> <p>- congélateur, suivez ces précautions de base:</p>
<ul style="list-style-type: none"> • Lisez toutes les instructions avant d'utiliser le réfrigérateur-congélateur. • DANGER ou AVERTISSEMENT: Risque d'enfermer les enfants. • Le piégeage et la suffocation des enfants ne sont pas des problèmes du passé. Les réfrigérateurs-congélateurs jetés ou abandonnés sont toujours dangereux. . . même s'ils "resteront assis dans le garage quelques jours". • Avant de jeter votre vieux réfrigérateur ou congélateur : <ul style="list-style-type: none"> - Retirez les portes. - Laissez les tablettes en place de façon à empêcher l'accès aux enfants. • Ne laissez jamais les enfants utiliser, jouer ou ramper à l'intérieur du réfrigérateur-congélateur. • Ne nettoyez jamais les pièces du réfrigérateur-congélateur avec des liquides inflammables. • Les fumées peuvent créer un risque d'incendie ou d'explosion. • Ne stockez pas et n'utilisez pas d'essence ou d'autres liquides ou vapeurs inflammables à proximité de votre réfrigérateur ou de tout autre réfrigérateur-congélateur. Les fumées peuvent créer un risque d'incendie ou d'explosion. • Cet appareil n'est pas destiné à être utilisé par des personnes (y compris des enfants) ayant des capacités physiques, sensorielles ou mentales réduites, ou un manque d'expérience et de connaissances, sauf si elles ont reçu une supervision ou des instructions concernant l'utilisation de l'appareil par une personne responsable de leur sécurité. • Les enfants doivent être surveillés pour s'assurer qu'ils ne jouent pas avec l'appareil. • Si le cordon d'alimentation est endommagé, il doit être remplacé par le fabricant, son agent de service ou une personne qualifiée similaire afin d'éviter tout danger. • Ne stockez pas de substances explosives telles que des bombes aérosols avec un propulseur inflammable dans cet appareil. • AVERTISSEMENT Les prises d'air de l'enceinte de l'appareil ou de la structure encastrée doivent être dégagées en tout temps. • AVERTISSEMENT Ne pas utiliser d'appareils mécaniques ou autres moyens pour accélérer le dégivrage que ceux recommandés par le fabricant. • AVERTISSEMENT Ne pas endommager le circuit frigorigène. • AVERTISSEMENT Ne pas utiliser d'appareils électriques à l'intérieur du compartiment de conservation des aliments de cet appareil, sauf s'ils sont du type recommandé par le fabricant. • Cet appareil est destiné à être utilisé dans des applications domestiques et similaires comme zones de cuisine du personnel dans les magasins, bureaux et autres environnements de travail; maisons de ferme et par les clients dans les hôtels, motels et autres environnements de type résidentiel; environnements de type chambre d'hôtes; restauration et applications similaires non commerciales. • Si la lumière LED est endommagée, elle doit être remplacée par le fabricant, son agent de service ou une personne de qualification similaire afin d'éviter les dangers. • Les tuyaux fournis avec l'appareil doivent être utilisés. Les anciens ensembles de tuyaux ne doivent pas être réutilisés. <p>AVERTISSEMENT : Connexion à une source d'eau potable seulement.</p> <p style="text-align: center;">-Enregistrez ces instructions-</p>	

INSTRUCTIONS D'INSTALLATION

➤ Avant d'utiliser votre appareil

- Retirez tout le matériel d'emballage intérieur et extérieur.
- Vérifiez qu'il ne vous manque aucune pièce :

1	(2) Plateau de la porte du congélateur	6	(4) Plateau de la porte du réfrigérateur
2	(2) Tablettes en verre du congélateur	7	(3) Tablettes en verre du réfrigérateur
3	(2) Tiroir du congélateur	8	(2) Tiroir du réfrigérateur
4	(1) Bac à glaçons		
5	(1) Distributeur		

- Avant de brancher l'appareil, laissez-le en position verticale pendant environ deux (2) heures afin de réduire le risque de mauvais fonctionnement du système de refroidissement dû au transport.
- Nettoyez la surface intérieure à l'eau tiède avec un linge doux.

➤ Installation de votre appareil

- Posez votre réfrigérateur-congélateur sur un plancher assez solide pour supporter le poids de l'appareil plein. Pour mettre votre réfrigérateur-congélateur à niveau, réglez les pieds de mise à niveau situés au bas de l'appareil.

(2) POUCES DE CHAQUE CÔTÉ DE L'APPAREIL ET UN (4) POUCES AU-DESSUS POUR PERMETTRE UNE AÉRATION ADÉQUATE AFIN DE REFROIDIR LE COMPRESSEUR ET LE CONDENSEUR.


Distances minimales requises	
Dessus	Un (4) pouces
Côtés	Un (2) pouces de chaque côté
Arrière	Trois à cinq (2) pouces à l'arrière


- Installez l'appareil loin de la lumière directe du soleil et de toute source de chaleur (cuisinière, chauffe-eau, radiateur, etc.). La lumière directe du soleil peut endommager le revêtement acrylique et les sources de chaleur peuvent augmenter la consommation électrique. Des températures ambiantes extrêmement froides peuvent également nuire au bon fonctionnement du réfrigérateur-congélateur.
- Évitez d'installer l'appareil dans des endroits humides.
- Branchez l'appareil dans une prise électrique dédiée et correctement mise à la terre. En aucun cas, vous ne devez couper ou retirer la troisième broche (mise à la terre) du cordon d'alimentation. Les questions concernant l'alimentation électrique et/ou la mise à la terre doivent être portées à l'attention d'un électricien certifié ou d'un centre de réparation de produits FORNO agréé.

➤ Alarme de porte

Cet appareil est équipé d'une alarme automatique qui indique que l'une des portes de l'appareil est ouverte depuis un certain temps.

1. Un signal d'avertissement sonore retentit si l'une des portes est ouverte pendant plus de une (1) minute.
2. Si la porte est ouverte pendant une longue période, le signal d'avertissement sonore retentit trois (3) fois toutes les 30 secondes.

 L'alarme de porte cesse automatiquement dès que la porte est fermée.

 Évitez d'ouvrir les portes pendant de longues périodes pour économiser l'énergie.

➤ Arrêt / marche du compartiment réfrigérateur

Appuyez longuement sur le bouton «réfrigérateur» pendant 5 secondes pour activer / désactiver le compartiment réfrigérateur, lorsque le compartiment réfrigérateur est éteint, l'affichage numérique de la température du réfrigérateur s'éteint; sous l'état du compartiment réfrigérateur éteint, appuyez longuement sur le bouton «réfrigérateur» pendant 5 secondes pour redémarrer la fonction réfrigérateur.

Connexion électrique

⚡ Avertissement ⚡

L'utilisation inadéquate de la fiche de mise à la terre peut entraîner un risque d'électrocution. Si le cordon d'alimentation est endommagé, faites-le remplacer par un centre agréé de réparation de produits FORNO.

Cet appareil doit être correctement mis à la terre pour votre sécurité. Le cordon d'alimentation de cet appareil est équipé d'une fiche à trois broches qui correspond à une prise électrique standard à trois broches afin de réduire les risques d'électrocution.

Vous ne devez en aucun cas couper ou retirer la troisième broche du cordon d'alimentation fourni avec l'appareil.

Cet appareil requiert une prise électrique tripolaire de 115 V~/60Hz.

Le cordon d'alimentation doit être sécurisé derrière l'appareil et ne doit ni pendre ni être visible pour prévenir toute blessure accidentelle.

Ne jamais débrancher l'appareil en tirant sur le cordon d'alimentation. Saisissez fermement la fiche et retirez-la de la prise.

N'utilisez pas de rallonge avec cet appareil. Si le cordon d'alimentation est trop court, faites appel à un électricien qualifié ou à un technicien pour l'installation d'une prise près de l'appareil.

RALLONGE

En raison des dangers de sécurité potentiels pouvant survenir dans certaines conditions, il est fortement recommandé de ne pas utiliser de rallonge avec cet appareil. Si vous devez néanmoins utiliser une rallonge, cette dernière doit obligatoirement être équipée d'une fiche à trois fils avec sortie homologuée UL/CUL et avoir une tension électrique de 115 volts et une intensité d'au moins 15 ampères.

LIMITEUR DE SURTENSION

La plupart des appareils électriques fonctionnent au moyen de différentes gammes de panneaux de commande électriques. Ces panneaux sont sensibles aux surtensions et peuvent être endommagés ou détruits.

Si vous devez utiliser l'appareil dans une zone de votre ville / pays sensible aux surtensions, il est recommandé d'utiliser un limiteur de surtension pour tous vos appareils et équipements électriques. Le limiteur de surtension que vous choisirez doit être équipé d'un bloc de limitation de surtension suffisamment puissant pour protéger l'appareil auquel il est relié. Si vous avez des questions concernant le type et la taille du limiteur de surtension qu'il vous faut, contactez un électricien agréé près de chez vous.

Les dommages résultant de surtensions ne sont pas considérés comme un défaut couvert par le fabricant et annulent la garantie de votre produit.

Cette machine à glaçons fonctionne automatiquement (alimentation automatique d'eau, production et séparation automatique des glaçons ; vous n'avez donc pas besoin d'ajouter d'eau manuellement. Une fois le moule à glaçons rempli, la tige du capteur envoie automatiquement un signal à la machine lui indiquant de cesser la production de glace.

DANGER

- Ne mettez pas les mains dans les pièces mécaniques de la machine à glaçons (située au-dessus du bac de production de glace) pour éviter tout risque de blessures.
- Pour éviter une décharge électrique qui pourrait causer de graves blessures ou même la mort, coupez l'alimentation électrique du réfrigérateur avant de le raccorder à l'alimentation en eau.

AVERTISSEMENT

La trousse de la machine à glaçons devrait être installée par un technicien d'entretien autorisé uniquement.

- Raccordez la machine à glaçons à une source d'eau potable.
- N'INSTALLEZ PAS de tuyau d'alimentation en eau dans les régions où les températures descendent sous le point de congélation.
- Si l'alimentation en eau provient d'un adoucisseur d'eau, assurez-vous que l'adoucisseur fonctionne bien et qu'il est bien entretenu. Les produits chimiques contenus dans un adoucisseur d'eau défectueux peuvent endommager la machine à glaçons.

➤ **Conseils.**

- Si la machine à glaçons est éteinte pendant une période prolongée, fermez le robinet d'alimentation en eau.
- Arrêtez la machine à glaçons lorsque vous nettoyez le congélateur ou lorsque vous partez en vacances durant une courte période.
- La machine à glaçons nécessite environ 8-24 heures pour commencer à produire normalement de glaçons. L'air contenu dans la tuyauterie neuve peut provoquer deux ou trois cycles à vide avant que la machine à glaçons ne produise un plein bac à glaçons. La tuyauterie neuve peut également produire de la glace décolorée et lui donner un goût étrange durant les 24 premières heures.

➤ **Fabrication de glaçons**

- Débranchez le réfrigérateur de sa source d'alimentation avant d'installer les tuyaux d'alimentation en eau conformément aux consignes du présent manuel. Après avoir raccordé le tuyau d'alimentation en eau, rebranchez le réfrigérateur.
- Le temps requis pour produire de la glace dépend de l'état de la machine et varie selon la température ambiante, le type d'eau utilisée et la température de l'eau dans le bac de production.
- La taille des glaçons varie selon la quantité d'eau à l'intérieur du bac de fabrication de glaçons.
- Les glaçons restent collés ou rapetissent s'ils sont stockés pendant de longues périodes.
- Faites attention de ne pas vous blesser les mains lorsque vous séparez les glaçons collés.

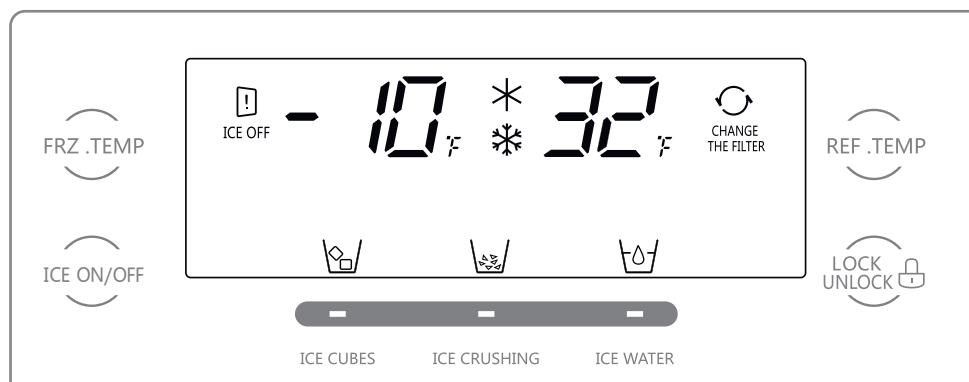
➤ **Avant d'installer l'alimentation en eau, vous aurez besoin :**

- **AVERTISSEMENT** : Connexion à une source d'eau potable seulement.
- **Accès à une canalisation d'eau froide domestique d'une pression se situant entre 1,4 et 6,9 bars.**
- Un robinet d'arrêt qui raccorde l'alimentation en eau à votre système de distribution d'eau domestique. NE PAS utiliser de robinets d'arrêt de type auto-perceur.

➤ **Pour raccorder l'alimentation au robinet d'arrivée de la machine à glaçons**

- Débranchez le réfrigérateur de sa source d'alimentation.
- Videz le réfrigérateur de tous les accessoires d'installation (conduite d'eau, connecteur, rondelle, attache).
- Serrez tous les raccords qui risquent de fuir et ouvrez l'alimentation d'eau au robinet d'arrêt.
- Rebranchez le réfrigérateur à la source d'alimentation.

UTILISATION DE VOTRE APPAREIL



Réglage de la plage de température : Mode degrés Fahrenheit

1. Plage de la température du réfrigérateur : 32~43 °F (la valeur par défaut est de 38 °F)
2. Plage de la température du congélateur : -10~5 °F (la valeur par défaut est de -2 °F).

PANNEAU DE COMMANDE – SÉCURITÉ DES ENFANTS

Ce produit est doté d'une fonction de verrouillage des boutons.

En cas de verrouillage du panneau de commande, les autres boutons sont inopérants, en touchant les autres boutons, les icônes REF.TEMP et FRZ.TEMP clignoteront.

Pour quitter le mode verrouillage, appuyez sur le bouton de verrouillage et maintenez-le enfoncé pendant 3s.

PANNEAU DE COMMANDE – VEILLE

Le PANNEAU DE COMMANDE s'assombrit après 20 secondes d'inactivité.

Pour réactiver l'affichage, il suffit d'appuyer sur n'importe quelle touche du panneau de commande.

Réglage de la température

- Votre appareil est équipé d'une fonction de réglage de la température. La touche de réglage de la température se trouve à l'extérieur de la porte du compartiment du réfrigérateur.
- Lorsque vous mettez l'appareil en service pour la première fois, l'appareil démarre à la température par défaut réglée en usine soit 38 °F pour la section réfrigération et -2 °F pour la section congélation.
- Lorsque vous mettez l'appareil en service pour la première fois, réglez la température du compartiment réfrigérateur à 32 °F et laissez-le fonctionner à cette température pendant au moins quatre (4) heures avant de ranger des aliments à l'intérieur. Cette procédure assure un refroidissement complet du congélateur et une stabilisation du compartiment réfrigérateur avant le rangement des aliments. Réglez ensuite la température selon vos besoins.
- Pour régler la température de chaque zone, appuyez sur la touche de la zone appropriée. La zone sélectionnée se met à clignoter.

Réglage de température du réfrigérateur

• La température par défaut du réfrigérateur est de 38°F. Le bouton REF.TEMP permet de modifier la température en faisant défiler les températures réglées:

→38→36→34→32→32+ (Super fridge)→43→41→39→38

Réglage de la température du congélateur

• La température par défaut du congélateur est de -02 °F. Le bouton FRZ.TEMP permet de modifier la température en faisant défiler les températures réglées :

-02→-04→-06→-08→-10→-10+ (Super freezer)→05→04→02→00.

MISE EN GARDE : Ne pas placer les aliments frais directement sur les aliments congelés.

Mode sabbat

1. Comment entrer en mode Sabbat:

lorsque le congélateur est ouvert, appuyez et maintenez le bouton «Fridge» + le bouton «Lock» pendant 10 secondes;

2. En mode Sabbat:

a, il n'y a pas d'alarme d'ouverture de porte;

b, les voyants LED du réfrigérateur et du congélateur sont éteints;

c, Le panneau d'affichage ne s'affichera pas à moins qu'il ne soit ajusté par l'homme;

*En mode Sabbat, il continuera d'afficher et d'émettre de la lumière après avoir touché le panneau, mais il s'éteindra après avoir attendu 20 secondes sans opération ou après avoir ouvert et fermé la porte une fois.

d, le réfrigérateur répond à la demande normale de réfrigération;

3. Comment quitter le mode Sabbat:

a, Lorsque le congélateur est ouvert, appuyez et maintenez le bouton «Fridge» + le bouton «Lock» pendant 10 secondes pour sortir manuellement;

b, lorsque le temps de travail du mode Sabbat dépasse 80 heures, il se terminera automatiquement.

⚡ AVERTISSEMENT ⚡

Ne prenez pas de glaçons à l'aide de récipients fragiles pour éviter les blessures causées par le bris. Ne touchez pas la sortie des glaçons avec les doigts pour éviter que la glace concassée ne blesse votre main.

➤ **Lors de la mise en service d'un nouveau réfrigérateur, prêtez attention aux points suivants :**

En prenant des glaçons ou de la glace concassée, veuillez retirer le couvercle de l'isolation thermique ; à d'autres moments, assurez-vous que le couvercle de l'isolation thermique est retiré.

En prenant de l'eau pour la première fois d'un nouveau réfrigérateur, appuyez sur le bouton de distribution de la glace et maintenez-le enfoncé, laissez s'écouler les premiers 1 à 2 litres d'eau et jetez-les, puis prélevez de l'eau à boire ;

Lorsque vous utilisez la machine à glaçons pour la première fois, il faut savoir que le premier bac à glaçons produit n'est pas propre à la consommation d'un point de vue sanitaire.

➤ **Autres précautions :**

N'utilisez pas de gobelets trop profonds, trop étroits ou trop mous, et placez le gobelet près de la sortie de glace pour éviter que les glaçons ne rebondissent sur le sol ; gardez une distance appropriée entre le gobelet et la sortie de glace ; si le gobelet est trop près de la sortie de glace, il peut obstruer la sortie de la glace ; pour éviter que les glaçons ne se répandent sur le sol, relâchez le bouton de sortie de la glace lorsque le gobelet est plein.

Lorsque vous prenez de la glace ou de l'eau, gardez le gobelet près de la sortie de glace pendant 2 à 3 secondes après avoir relâché le bouton de distribution de la glace car de la glace ou de l'eau peuvent encore se déverser à ce moment-là. Après avoir constaté qu'il n'y a pas de glace ou d'eau qui se déverse, retirez simplement le gobelet.

Si vous utilisez uniquement la fonction de glace concassée, la sortie de glace peut être bloquée par de la glace concassée, et vous devez retirer les résidus de glace concassée ; lorsque vous sélectionnez le glaçon après la glace concassée, il peut y avoir un peu de glace concassée.

En cas d'arrêt prolongé de l'appareil, la glace contenue dans le bac à glaçons peut fondre et l'eau s'écoule ensuite dans le congélateur ; dans ce cas, retirez le bac à glaçons et jetez la glace, puis essuyez l'eau qui se trouve dans le bac à glaçons et dans le congélateur.

Conseils

La machine à glaçons fonctionne normalement uniquement lorsque la température ambiante atteint - 13°C.

Après le premier branchement du réfrigérateur, au bout de 8 à 24 heures (selon la quantité d'aliments entreposés dans le réfrigérateur), la machine à glaçons commence à fonctionner normalement lorsqu'elle est en position « ON ». Après 72 heures de fonctionnement, la boîte de rangement sera pleine de glaçons.

Machine à glaçons automatique

La machine à glaçons et le bac à glaçons se retrouvent dans la partie supérieure du congélateur. Lors de l'utilisation de la machine à glaçons, assurez-vous que l'interrupteur de la machine à glaçons est allumé et que le système d'eau est raccordé. La machine à glaçons fabriquera automatiquement de la glace ; lorsque le bac à glaçons est rempli de glaçons, le processus de fabrication de la glace s'arrêtera automatiquement.

La machine à glaçons peut produire environ 1 500 g de glace en 24 heures.

Lorsque le congélateur atteint la température définie, la machine à glaçons peut fabriquer le premier lot de glaçons en quelques heures seulement.

MISE EN GARDE :

Durant la fabrication des glaçons, vous pouvez entendre le bip de la vanne d'eau, le bruit de l'eau qui coule dans la machine à glaçons et le bruit des glaçons qui tombent.

Le bassin récepteur doit être dégagé à temps pour éviter tout déversement d'eau qui pourrait abîmer le sol.

Distributeur de glace et d'eau


ICE CUBES



Appuyez sur le bouton ICE CUBES ; si le voyant [] s'allume, appuyez et maintenez le bouton de distribution des glaçons avec le gobelet en verre et les glaçons en sortiront.


ICE CRUSHING



Appuyez sur le bouton ICE CRUSHING ; si le voyant [] s'allume, appuyez et maintenez le bouton de distribution des glaçons avec le gobelet en verre et la glace concassée en sortira.

ICE WATER



Appuyez sur le bouton ICE WATER ; si le voyant [] s'allume, appuyez et maintenez le bouton de distribution des glaçons avec le gobelet en verre et de l'eau froide en sortira.

Installation et désinstallation de la machine à glaçons

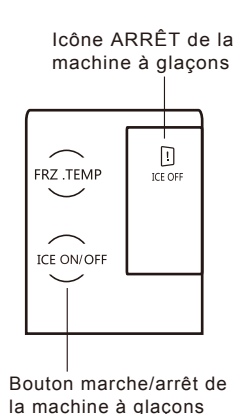


Il est conseillé de retirer la machine à glaçons, de la nettoyer, puis de l'installer lorsqu'elle est utilisée pour la première fois ou pendant une longue période. Veuillez éteindre le réfrigérateur avant de la retirer.

Retirez le bac à glaçons, soulevez-le énergiquement avec les deux mains, puis retirez-le ; Nettoyez, séchez, puis installez.

Lors de l'installation du bac à glaçons, alignez le fond avec les rails des deux côtés, insérez-le dans les rails, puis poussez.

Mise hors tension de la machine à glaçons



Si la fonction de la machine à glaçons n'est pas nécessaire pendant une longue période, veuillez l'éteindre temporairement ;

Conseil : Cela ne désactive que la fonction de production de glaçons ; les glaçons restants dans le bac à glace peuvent être conservés et le système d'eau fonctionne normalement.

■ En appuyant sur le bouton ICE ON/OFF pendant 3 secondes pour éteindre la machine à glaçons, l'icône ICE ON/OFF s'allume.

■ Après l'arrêt de la machine à glaçons, l'icône de glaçons/eau située sur le panneau de commande reste affichée, et le bouton ICE CUBES / ICE CRUSHING / ICE WATER est activé, sans affecter l'évacuation des glaçons ou de l'eau.

MISE EN GARDE :

Avant d'éteindre la machine à glaçons, vous devez débrancher l'alimentation en eau du réfrigérateur plusieurs heures à l'avance ; après avoir éteint la machine à glaçons, videz et nettoyez le bac à glaçons, puis remettez-le en place.

Lorsque la fonction de la machine à glaçons est activée et qu'il y a encore de la glace dans le bac à glaçons, la glace peut tomber pendant l'autovérification du réfrigérateur.

Filtre à eau

ATTENTION

N'utilisez pas le distributeur d'eau et de glaçons dans des endroits où la qualité de l'eau est mauvaise ou si la pollution d'eau n'est pas entièrement confirmée.

On peut acheter le filtre au centre de service après-vente.

Le dispositif de filtration de la machine à glaçons peut être utilisé pendant 180 jours. Après 165 jours d'utilisation, le témoin de l'élément filtrant clignote. L'icône de l'écran de l'élément filtrant reste toujours allumée au-delà de 180 jours. Cela rappelle à l'utilisateur qu'il faut remplacer l'élément filtrant. Après le remplacement de l'élément filtrant, appuyez sur ICE WATER pendant plus de 5 secondes, l'icône de changement de cet élément s'éteint.

Informations importantes concernant le filtre à eau

Si le réfrigérateur reste inutilisé pendant une longue période ou si l'eau potable présente un goût anormal, nettoyez complètement le système d'eau et prélevez de l'eau du distributeur d'eau et de glaçons pendant plusieurs minutes. S'il y a une odeur désagréable ou un mauvais goût, le filtre doit être remplacé.

Remplacement du filtre

Avant de remplacer le filtre, on doit débrancher la fiche d'alimentation du réfrigérateur ou éteindre l'interrupteur principal, et couper la source d'eau.

Dévissez et retirez le filtre en suivant les indications de la flèche située sur le filtre ;

Insérez le nouveau filtre et serrez-le ;

Après avoir remplacé le filtre, prélevez un peu d'eau du distributeur de glaçons et d'eau pour éliminer l'air du système d'eau ;

Jetez directement le filtre usagé dans une poubelle.

MISE EN GARDE :

Le filtre à eau vise les particules contenues dans l'eau, autres que les bactéries ou les micro-organismes.

REMARQUE :

IL N'EST PAS RECOMMANDÉ D'INSTALLER LE RÉFRIGÉRATEUR DANS DES ENDROITS OÙ LA TEMPÉRATURE DESCEND EN DESSOUS DE 32 °F (0 °C) OU S'ÉLÈVE À 110 °F (43 °C). LE COMPRESSEUR NE POURRA PAS MAINTENIR DES TEMPÉRATURES APPROPRIÉES À L'INTÉRIEUR DU RÉFRIGÉRATEUR.

POUR UNE INSTALLATION DANS DES ENDROITS OÙ LA TEMPÉRATURE DESCEND EN DESSOUS DE 32 °F, RÉGLEZ LA TEMPÉRATURE DU CONGÉLATEUR À LA TEMPÉRATURE LA PLUS FROIDE POUR AMÉLIORER LE FONCTIONNEMENT DU RÉFRIGÉRATEUR DANS CES CONDITIONS.

NETTOYAGE ET ENTRETIEN

➤ **Nettoyage de votre appareil**

- Débranchez l'appareil et sortez les aliments et les paniers.
- Lavez l'intérieur à l'eau chaude avec une solution de bicarbonate de soude. La solution doit être de 2 c. à soupe de bicarbonate de soude pour un litre d'eau.
- Lavez les paniers avec une solution de détergent doux.
- Nettoyez l'extérieur de l'appareil avec un détergent doux et de l'eau chaude.

MISE EN GARDE

Ne pas débrancher le réfrigérateur-congélateur pourrait entraîner une décharge électrique ou des blessures corporelles.

➤ **Panne de courant**

La plupart des pannes de courant sont corrigées en quelques heures et ne devraient pas affecter la température de votre réfrigérateur-congélateur si vous réduisez le nombre de fois que la porte est ouverte. S'il n'y a pas de courant pendant une période prolongée, vous devez prendre les mesures appropriées pour protéger votre nourriture.

➤ **Périodes de vacances**

Courts séjours : Laissez l'appareil fonctionner pendant des congés de moins de trois semaines.

Longues vacances : Si l'appareil n'est pas utilisé pendant plusieurs mois, retirez tous les aliments et débranchez le cordon d'alimentation. Nettoyez et séchez soigneusement l'intérieur. Pour éviter les odeurs et la croissance des moisissures, laissez la porte entrouverte : bloquez-la ouverte si nécessaire.

➤ **Déplacement de votre appareil**

- Retirez tous les aliments.
- Fixez solidement tous les articles en vrac à l'intérieur de l'appareil avec du ruban adhésif.
- Tournez les vis de nivelage jusqu'à la base pour éviter tout dommage.
- Fermez la porte avec du ruban adhésif.
- Assurez-vous que l'appareil reste en position verticale pendant le transport.

➤ **Conseils d'économie d'énergie**

- L'appareil doit être situé dans la zone la plus fraîche de la pièce, loin des appareils produisant de la chaleur ou des conduits de chauffage et loin de la lumière solaire directe.
- Laissez refroidir les aliments chauds à la température ambiante avant de les placer dans l'appareil. Surcharger l'appareil oblige le compresseur à fonctionner plus longtemps. Les aliments qui gèlent trop lentement peuvent perdre en qualité ou se gâter.
- Assurez-vous d'emballer les aliments et essuyez les contenants avant de les placer dans l'appareil. Cela réduit l'accumulation de givre à l'intérieur du congélateur.
- Rangez correctement et étiquetez clairement la nourriture pour réduire les ouvertures de porte et les recherches prolongées. Retirez autant d'articles que nécessaire en une seule fois et refermez la porte le plus rapidement possible.

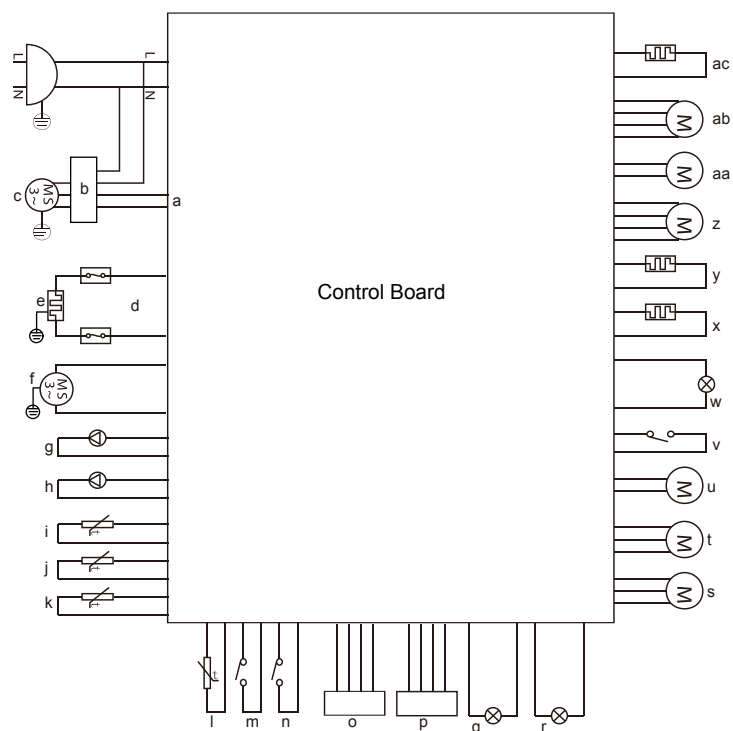
➤ DES PROBLÈMES AVEC VOTRE APPAREIL?

Vous pouvez résoudre facilement de nombreux problèmes courants de votre réfrigérateur-congélateur, vous permettant ainsi d'économiser le coût éventuel d'un appel de service. Essayez les suggestions ci-dessous pour voir si vous pouvez résoudre le problème avant d'appeler le service de réparation.

GUIDE DE DÉPANNAGE

PROBLÈME	CAUSE PROBABLE
L'unité ne fonctionne pas.	L'appareil n'est pas branché. Le disjoncteur s'est déclenché ou un fusible a sauté.
Le compresseur s'active et s'éteint fréquemment.	La température ambiante est plus élevée que d'habitude. Il y a trop de nourriture dans le réfrigérateur - congélateur. La porte est ouverte trop souvent. La porte n'est pas complètement fermée. La température est mal réglée. Le joint de porte est défectueux. Les distances minimales requises du réfrigérateur-congélateur ne sont pas respectées.
Vibrations.	Vérifiez que le réfrigérateur – congélateur est bien au niveau.
L'appareil semble faire trop de bruit.	Le bruit de cliquetis peut provenir de l'écoulement du réfrigérant, ce qui est normal. À la fin de chaque cycle, vous pouvez entendre des gargouillis produits par l'écoulement du réfrigérant dans votre réfrigérateur-congélateur. La contraction et la dilatation des parois internes de l'appareil peuvent causer des bruits de craquement et de martèlement. L'appareil n'est pas au niveau.
La porte ne ferme pas bien.	L'appareil n'est pas au niveau. La porte est inversée et incorrectement installée. Le joint est sale. Les paniers sont hors de position.
Le séparateur de section est chaud au toucher.	Ceci est normal. La zone de la section du séparateur contient un dispositif de chauffage anti-condensation qui est chaud au toucher lors du cycle d'anti-condensation pour empêcher la formation de condensation entre les deux sections.

DIAGRAMME DE CÂBLAGE



- | | | | |
|----------------------------|----------------------------|---------------------------------------|---|
| a-Signal | h-I/M valve d'eau | o-Temp. et capteur d'humidité | v-Micro interrupteur |
| b-onduleur | i-AR. capteur | p-Tableau d'affichage | w-IWD lampe |
| c-Compresseur | g-AV. capteur | q-F. lampe | x-Réchauffeur de valve de sortie de glace |
| d-Protecteur thermique | k-capteur de dégivrage | r-AR. lampe | y-IWD réchaud |
| e-Réchauffeur de dégivrage | l-I/M capteur | s-AV. moteur de ventilateur | z-I/M conducteur |
| f-moteur de glace | m-AV.interrupteur de porte | t-Moteur du ventilateur du condenseur | aa-Moteur de sélection de glace |
| g-valve eau potable | n-AR.interrupteur de porte | u-Moteur de valve de sortie de glace | ac-Chauffage de registre |



FORNO

Alta Qualita



FFRBI1844-36SB

**Refrigerador y congelador combinado lado a lado de 36",
20.0 pies cúbicos, con fábrica de hielo**

**ANTES DE USAR, LEA Y SIGA TODAS LAS NORMAS DE SEGURIDAD E
INSTRUCCIONES DE FUNCIONAMIENTO.**

ÍNDICE

Atención al cliente	35
Seguridad del electrodoméstico	36
Guías de seguridad importantes	37
Partes y características	38
Instrucciones importantes de seguridad	39
Instrucciones de instalación	40
Conexión eléctrica	41
Advertencia de la máquina de hielo	42
Funcionamiento de su electrodoméstico	43
Modo Sabbat / Máquina de hielo	44
Fabricador de hielo automático / Dispensador de agua y hielo / Instalación y desinstalación de la fábrica de hielo	45
Apagado de la fábrica de hielo / Filtro de agua / Reemplazo del filtro	46
Cuidado y mantenimiento	47
Limpieza de su electrodoméstico	47
Falla de energía / Período de vacaciones / Traslado de su electrodoméstico	47
Consejos de ahorro de energía	47
Guía de solución de problemas	48
Diagrama de cableado	49



ADVERTENCIA: Este producto puede exponerle a químicos incluyendo [Plomo , Compuestos de plomo y plomo, El bisfenol A], que es (son) conocido (s) por el Estado de California como causante (s) de cáncer y defectos de nacimiento u otros daños reproductivos. Para mayor información, visite www.P65Warnings.ca.gov.

Atención al cliente

Gracias por comprar un producto FORNO. Lea el manual de instrucciones completamente antes de utilizar su nuevo electrodoméstico por primera vez. Si usted es un usuario ocasional o ya un experto, resulta siempre beneficioso familiarizarse con las prácticas de seguridad, características, funcionamiento y recomendaciones de cuidado de su electrodoméstico.

Tanto el modelo como el número de serie figuran en el producto. Para la garantía, también necesitará la fecha de compra. Registre las informaciones a continuación para referencia futura:

INFORMACIONES DE SERVICIO:

Número del modelo :

Use estos números en cualquier correspondencia o llamadas de servicio relacionadas con su electrodoméstico.

Número de serie :

Si recibió un electrodoméstico dañado, comuníquese inmediatamente con el distribuidor (o el fabricante) que le vendió el producto.

Fecha de compra :

Dirección del lugar de compra y teléfono :

Ahorre tiempo y dinero. Antes de llamar al servicio técnico, consulte la Guía de solución de problemas. Enumera las causas de los problemas de funcionamiento menores que puede corregir usted mismo.

SERVICIO EN CANADA:

Mantenga el manual de instrucciones a mano para responder sus preguntas.

Si no entiende algo o necesita ayuda adicional, llame a nuestro Servicio al

Cliente: 1-800-561-7265

O por correo electrónico: service@distinctive-online.com

SERVICIO EN LOS ESTADOS UNIDOS:

Mantenga el manual de instrucciones a mano para responder sus preguntas.

Si no entiende algo o necesita ayuda adicional, llame a nuestro Servicio al

Cliente: 1-866-231-8893

O por correo electrónico: info@forno.ca

Si su electrodoméstico requiere mantenimiento, asegúrese de utilizar un proveedor de servicio certificado de fábrica recomendado por nuestro centro de atención al cliente. Todos los proveedores de servicios certificados de fábrica son cuidadosamente seleccionados y capacitados por nosotros.

SEGURIDAD DEL ELECTRODOMÉSTICO

Su seguridad y la de los otros es muy importante.

En este manual y en el electrodoméstico proporcionamos muchos mensajes de seguridad importantes. Siempre lea y respete todos los mensajes de seguridad.



Este es el Símbolo de Alerta de Seguridad. Este símbolo lo alerta de los posibles peligros que pueden matarlo o herirlo a usted y a otros.

Todos los mensajes de seguridad tendrán el Símbolo de Alerta de Seguridad seguido de las palabras "PELIGRO", "ADVERTENCIA" o "PRECAUCIÓN".



Peligro significa que el incumplimiento de este aviso de seguridad puede provocar lesiones personales graves o la muerte.



Advertencia significa que el incumplimiento de este aviso de seguridad puede ocasionar daños importantes en el producto, lesiones personales graves o la muerte.



Precaución significa que el incumplimiento de este aviso de seguridad puede provocar lesiones personales leves o moderadas, o daños a la propiedad o al equipo.

Todos los mensajes de seguridad lo alertarán sobre cuál es el peligro potencial, le dirán cómo reducir la posibilidad de lesiones y le informarán qué puede suceder si no se siguen las instrucciones.



ADVERTENCIA:

Riesgo de cáncer y daño reproductivo

ADVERTENCIAS DEL GAS REFRIGERANTE

PELIGRO - Riesgo de incendio o explosión. Refrigerante inflamable utilizado.

NO use dispositivos mecánicos para descongelar el refrigerador. NO perfore la tubería de refrigeración.

PELIGRO - Riesgo de incendio o explosión. Refrigerante inflamable utilizado.

Para ser reparado solo por personal de servicio capacitado. NO perfore la tubería de refrigeración.

PRECAUCIÓN - Riesgo de incendio o explosión. Refrigerante inflamable utilizado.

Consulte el manual de reparación/guía del propietario antes de intentar reparar este producto.

Se deben seguir todas las precauciones de seguridad.

PRECAUCIÓN - Riesgo de incendio o explosión. Deseche el artefacto de acuerdo con las regulaciones federales o locales. Refrigerante inflamable utilizado.

PRECAUCIÓN: Riesgo de incendio o explosión debido a la perforación de la tubería de refrigeración; siga las instrucciones de manejo con cuidado. Refrigerante inflamable utilizado.

GUÍAS DE SEGURIDAD IMPORTANTES



Antes de usar el enfriador de bebidas, debe colocarlo e instalarlo correctamente como se describe en este manual, así que léalo detenidamente. Para reducir el riesgo de incendio, descarga eléctrica o lesiones al usar el enfriador de bebidas, siga las precauciones de base, incluidas las siguientes:



Peligro



- Enchúfelo a un tomacorriente de 3 clavijas con conexión a tierra, no retire la clavija con conexión a tierra, no use un adaptador y no use un cable de extensión.
- Reemplace todos los paneles antes de ponerlo en funcionamiento.
- Se recomienda contar con un circuito separado solo para su enfriador de bebidas. Use receptáculos que no se puedan apagar con un interruptor o cadena de tracción.
- Nunca limpie las partes del electrodoméstico con fluidos inflamables. Éstos pueden crear un peligro de incendio o explosión. Y no almacene ni use gasolina u otros vapores y líquidos inflamables cerca de este o cualquier otro electrodoméstico. Los humos generados pueden crear un peligro de incendio o explosión.
- Antes de continuar con las tareas de limpieza y mantenimiento, asegúrese de que la alimentación de la unidad esté desconectada.
- No conecte ni desconecte el enchufe eléctrico cuando sus manos estén mojadas.
- Desenchufe el electrodoméstico o desconecte la alimentación antes de limpiarlo o repararlo. No hacerlo puede provocar descargas eléctricas o la muerte.
- No intente reparar o reemplazar ninguna parte de su electrodoméstico a menos que se recomiende específicamente en este manual. Todos los demás servicios deben ser realizados por un técnico calificado.

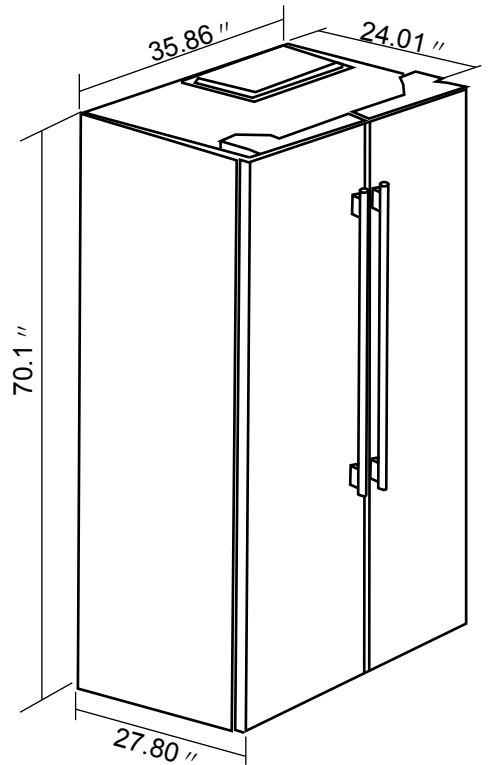
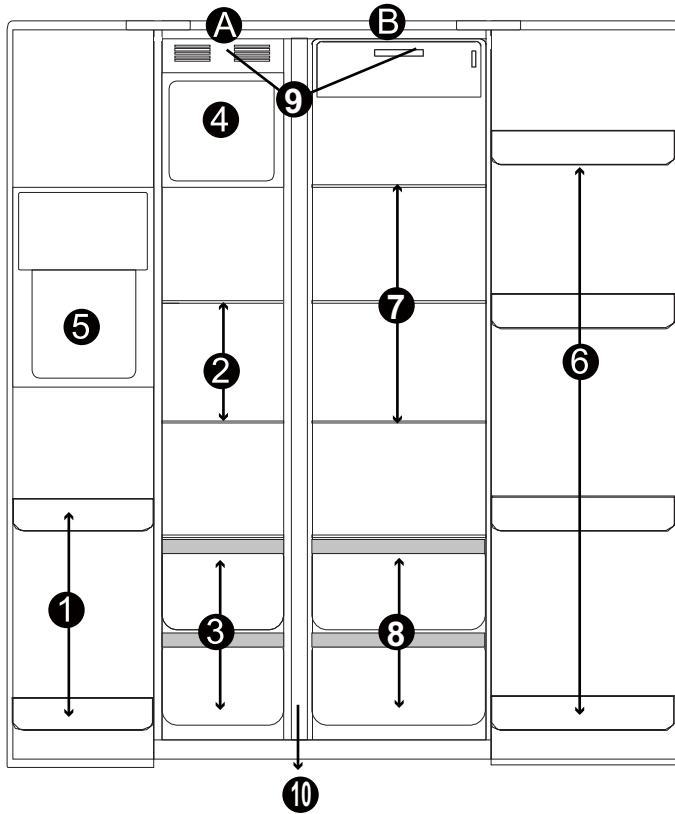


ADVERTENCIA



- Use dos o más personas para mover e instalar el electrodoméstico. De lo contrario, pueden provocarse lesiones en la espalda u otras partes del cuerpo.
- Para garantizar una ventilación adecuada para su electrodoméstico, la unidad debe estar completamente sin obstrucciones. Elija un área bien ventilada con temperaturas superiores a 55°F (13°C) e inferiores a 90°F (32°C). Este artefacto debe instalarse en un área protegida de condiciones como el viento, la lluvia, el rocío de agua o la luz solar.
- El aparato no debe ubicarse cerca de hornos, parrillas u otras fuentes de calor.
- El electrodoméstico debe instalarse con todas las conexiones eléctricas, de agua y drenaje de acuerdo con los códigos estatales y locales. Se requiere un suministro eléctrico estándar (115 V CA solamente, 60 Hz), debidamente conectado a tierra de acuerdo con el Código Eléctrico Nacional y los códigos y ordenanzas locales.
- No doble ni apriete el cable de alimentación del electrodoméstico.
- El tamaño del fusible (o disyuntor) debe ser de 15 amperios.
- Es importante nivelar el artefacto para que funcione correctamente. Es posible que se deban hacer varios ajustes para nivelarlo.
- Toda la instalación debe realizarse de acuerdo con los requisitos del código de plomería local.
- Asegúrese de que las tuberías no sean apretadas, retorcidas o dañadas durante la instalación.
- Compruebe si hay fugas o pérdidas después de la conexión.
- Nunca permita que los niños pongan en funcionamiento, jueguen o se metan dentro del artefacto.
- No utilice productos de limpieza a base de solventes o abrasivos en el interior. Estos limpiadores pueden dañar o decolorar el interior del artefacto.
- No utilice este electrodoméstico para otro fin que no sea el previsto.

PARTES Y CARACTERÍSTICAS



1	(2) Bandeja de la puerta del congelador	6	(4) Bandeja de la puerta del refrigerador
2	(2) Estantes de vidrio del congelador	7	(3) Estantes de vidrio del refrigerador
3	(2) Cajón del congelador	8	(2) Cajón del refrigerador
4	(1)Caja de almacenamiento de hielo	9	Lámpara LED
5	(1)Dispensador	10	Separador Seccional

** Nota

El área de separadores de sección contiene un calentador anti condensación y estará caliente al tacto durante el ciclo de anti condensación para evitar que se forme condensación entre las dos secciones.

INSTRUCCIONES IMPORTANTES DE SEGURIDAD

⚡ ADVERTENCIA ⚡	Para reducir el riesgo de incendio, descarga eléctrica o lesiones al usar su refrigerador-congelador, siga estas precauciones básicas:
<ul style="list-style-type: none">• Lea todas las instrucciones antes de usar el refrigerador-congelador.• PELIGRO o ADVERTENCIA: Riesgo de que los niños queden atrapados.• Que los niños queden atrapados y la asfixia no son problemas del pasado. Los refrigeradores-congeladores desechados o abandonados siguen siendo peligrosos...incluso si "solo se depositan en el garaje unos días".• Antes de tirar su viejo refrigerador-congelador: Quítele las puertas. Deje los estantes en su lugar para que los niños no puedan subir fácilmente.• Nunca permita que los niños pongan en funcionamiento, jueguen o se metan dentro del refrigerador-congelador.• Nunca limpie las partes del refrigerador-congelador con fluidos inflamables. Los humos ocasionados pueden crear un riesgo de incendio o explosión.• No almacene ni use gasolina u otros vapores y líquidos inflamables cerca de este o cualquier otro refrigerador-congelador. Los humos pueden crear un peligro de incendio o explosión. Este electrodoméstico no está diseñado para ser utilizado por personas (incluidos niños) con capacidades físicas, sensoriales o mentales reducidas, o falta de experiencia y conocimiento, a menos que hayan recibido supervisión o instrucciones sobre el uso del electrodoméstico por parte de una persona responsable de su seguridad.• Los niños deben ser supervisados para asegurarse de que no jueguen con el aparato.• Para evitar riesgos, si el cable de alimentación está dañado, debe ser reemplazado por el fabricante, su agente de servicio o una persona calificada similar.• No almacene en este artefacto ninguna sustancia explosiva, como latas de aerosol con un propulsor inflamable.• ADVERTENCIA: Mantenga las aberturas de ventilación, en el gabinete del electrodoméstico o en su estructura incorporada, sin obstrucciones.• ADVERTENCIA: No utilice dispositivos mecánicos u otros medios para acelerar el proceso de descongelación, que no sean los recomendados por el fabricante.• ADVERTENCIA: no dañe el circuito de refrigeración.• ADVERTENCIA: No use aparatos eléctricos dentro de los compartimentos de almacenamiento de alimentos de este electrodoméstico, a menos que sean del tipo recomendado por el fabricante.• Este electrodoméstico está diseñado para usarse en hogares o espacios domésticos similares como áreas de cocina de personal en tiendas, oficinas y otros entornos de trabajo; casas rurales, hoteles, moteles y otros entornos residenciales; hosterías tipo B&B (cama y desayuno); catering y otros servicios mayoristas similares.• Si la luz LED está dañada, debe ser reemplazada por el fabricante, su agente de servicio o una persona igualmente calificada para evitar peligros.• Las mangueras suministradas con el aparato deben usarse. Los juegos de mangueras viejos no deben reutilizarse.• ADVERTENCIA: Conectar únicamente a un suministro de agua potable. <p style="text-align: center;">-Conserve estas instrucciones-</p>	

INSTRUCCIONES DE INSTALACIÓN

➤ Antes de utilizar su electrodoméstico

- Quite el embalaje exterior e interior.
- Asegúrese de tener todas las siguientes partes:

1	(2) Bandeja de la puerta del congelador	6	(4) Bandeja de la puerta del refrigerador
2	(2) Estantes de vidrio del congelador	7	(3) Estantes de vidrio del refrigerador
3	(2) Cajón del congelador	8	(2) Cajón del refrigerador
4	(1)Caja de almacenamiento de hielo		
5	(1)Dispensador		

- Antes de conectar el artefacto a la fuente de alimentación, déjelo en posición vertical durante aproximadamente 2 horas. Esto reducirá la posibilidad de un mal funcionamiento en el sistema de refrigeración debido a la manipulación durante el transporte.
- Limpie la superficie interior con agua tibia utilizando un paño suave.

➤ Instalación de su electrodoméstico

- Coloque su refrigerador-congelador en un piso que sea lo suficientemente fuerte como para soportar el refrigerador-congelador cuando esté completamente cargado. Para nivelar su refrigerador-congelador, ajuste las patas niveladoras en la parte inferior de la unidad.

• DEJE ENTRE (2) PULGADAS DE ESPACIO ENTRE LA PARTE POSTERIOR Y LA PARED, ASÍ COMO (2) EN CADA LADO DE LA UNIDAD Y UNA (4) PULGADAS EN LA PARTE SUPERIOR, PARA PERMITIR UNA CIRCULACIÓN DE AIRE ADECUADA Y PARA PERMITIR QUE SE ENFRÍE EL COMPRESOR Y EL CONDENSADOR.

Espacios mínimos requeridos	
Parte superior	Una (4.0) pulgadas
Lados	Una (2.0) pulgada de cada lado
Parte posterior	De tres a cinco (2.0) pulgadas en la parte posterior

- Ubique el artefacto lejos de la luz solar directa y de las fuentes de calor (estufa, calentador, radiador, etc.). La luz solar directa puede afectar el recubrimiento acrílico y las fuentes de calor pueden aumentar el consumo eléctrico. Las temperaturas ambiente extremadamente frías también pueden hacer que el refrigerador-congelador no funcione correctamente.
- Evite ubicar el artefacto en áreas húmedas.
- Enchufe la unidad en un tomacorriente exclusivo con conexión a tierra instalado correctamente. Bajo ninguna circunstancia corte ni retire la tercera clavija (a tierra) del cable de alimentación. Para cualquier pregunta relacionada con la alimentación y/o la conexión a tierra debe dirigirse a un electricista certificado o a un centro de servicio autorizado de productos FORNO.

➤ Alarma de la puerta

※Elelectrod oméstico está equipado con una alarma automática que indica que una de las puertas está abierta por un período de tiempo más prolongado.

1. Si se abre una de las puertas durante más de 1 minuto, suena una señal acústica de advertencia.
2. Si la puerta se abre por un período más prolongado, la señal acústica de advertencia sonará tres veces por 30 segundos.

- ⚠ La alarma de la puerta **también** se puede apagar permanentemente cerrando la puerta correspondiente.
- ⚠ Para ahorrar energía, se debe evitar una apertura prolongada de las puertas.

➤ Apagado / encendido del compartimento frigorífico

Mantenga pulsado el botón "frigorífico" durante 5 segundos para activar / desactivar el compartimento frigorífico, cuando el compartimento frigorífico esté apagado, la pantalla digital de temperatura del frigorífico se apagará; debajo del compartimento frigorífico apagado, mantenga pulsado el botón "frigorífico" durante 5 segundos para reiniciar la función frigorífico.

Conexión eléctrica

⚡ Advertencia ⚡

El uso incorrecto del enchufe con conexión a tierra puede provocar un riesgo de descarga eléctrica. Si el cable de alimentación está dañado, hágalo reemplazar en un centro de servicio autorizado de productos FORNO.

Para su seguridad, este electrodoméstico debe estar debidamente conectado a tierra. El cable de alimentación de este electrodoméstico está equipado con un enchufe de tres clavijas que se acopla a tomacorrientes estándar de tres clavijas para minimizar la posibilidad de descarga eléctrica.

Bajo ninguna circunstancia corte ni retire la tercera clavija (de tierra) del cable de alimentación suministrado.

Este electrodoméstico requiere un tomacorriente estándar de 115Volts ~ / 60Hz con conexión a tierra de tres clavijas.

El cable debe asegurarse que quede detrás del aparato y no dejarlo expuesto o colgando para evitar lesiones accidentales.

Nunca desenchufe el aparato tirando del cable de alimentación. Sujete siempre el enchufe con firmeza y tire directamente del receptáculo.

No use un cable de extensión con este aparato. Si el cable de alimentación es demasiado corto, haga que un electricista calificado o un técnico de servicio instale un tomacorriente cerca del electrodoméstico.

CABLE DE EXTENSIÓN

Debido a los posibles riesgos de seguridad que se pueden dar bajo ciertas condiciones, se recomienda fuertemente no usar un cable de extensión con este artefacto. Sin embargo, si debe usar un cable de extensión, es absolutamente necesario que sea un cable de extensión de 3 clavijas con conexión a tierra con certificación UL / CUL que tenga un enchufe y un tomacorriente con conexión a tierra y que la clasificación eléctrica del cable sea de 115 voltios y al menos 15 amperios.

PROTECTOR CONTRA SOBRETENSIONES

La mayoría de los aparatos eléctricos utilizan una serie de placas eléctricas de control para funcionar. Estas placas son muy susceptibles a sobretensiones y podrían dañarse o destruirse.

Si el aparato va a ser utilizado en un área, ciudad/país que es propenso a sobretensiones/cortes de energía; se sugiere que use un protector contra sobretensiones para todos los dispositivos/artefactos eléctricos que use. El protector de sobretensiones que seleccione debe tener un bloque de sobrevoltaje lo suficientemente alto como para proteger el dispositivo al que está conectado. Si tiene alguna pregunta sobre el tipo y el tamaño del protector contra sobretensiones necesario, comuníquese con un electricista autorizado en su área.

Los daños ocasionados por sobretensiones no se consideran un defecto cubierto por el fabricante y anularán la garantía de su producto.

Peligro

- No meta la mano en la parte mecánica de la máquina de hielo (encima de la bandeja para hacer hielo.) De lo contrario, pueden producirse lesiones.
- Para evitar descargas eléctricas, que pueden causar la muerte o lesiones personales graves, desconecte el refrigerador de la corriente eléctrica antes de conectarlo a una línea de suministro de agua.

Advertencia

- El kit de la máquina de hielo debe ser instalado solamente por un técnico de servicio autorizado.
- Conecte la máquina de hielo a un suministro de agua potable solamente.
- NO instale tuberías de suministro de agua en áreas donde las temperaturas puedan bajar por debajo del punto de congelación.
- Si el suministro de agua es desde un filtro descalcificador de agua, asegúrese de que funcione y sea mantenido correctamente. Los productos químicos de un filtro descalcificador que funciona mal pueden dañar la máquina de hielo.

➤ Consejos

- Si la máquina de hielo va a ser apagada por un período prolongado, gire la válvula de suministro de agua en la posición "cerrado".
- Apague la máquina de hielo cuando limpie el congelador o durante un período corto de vacaciones.
- La máquina de hielo tarda aproximadamente 8-24 horas en comenzar a producir cubos de hielo normales. El aire en las nuevas tuberías de agua puede hacer que la máquina de hielo tenga que hacer el ciclo dos o tres veces antes de hacer una bandeja llena de hielo. Las tuberías nuevas pueden hacer hielo descolorido o de mal sabor durante las primeras 24 horas.

➤ Elaboración de los cubos de hielo

- Asegúrese de desconectar el refrigerador de la corriente eléctrica antes de conectarlo a una línea de suministro de agua, tal como lo indica el manual de instalación. Después de que la conexión del suministro de agua se haya realizado correctamente, conecte el refrigerador a la fuente de alimentación eléctrica.
- El tiempo de fabricación de hielo podrá variar según la temperatura ambiente, el tipo de agua, la cantidad y temperatura del agua dentro de la bandeja de fabricación de hielo, así como el estado de la máquina de hielo.
- El tamaño del cubo de hielo podrá variar dependiendo de la cantidad de agua dentro de la caja de almacenamiento de hielo.
- Los cubos de hielo se pegarán o se volverán más pequeños si se almacenan durante mucho tiempo.
- Tenga cuidado de no lastimar su mano al romper los cubos de hielo que se pegan.

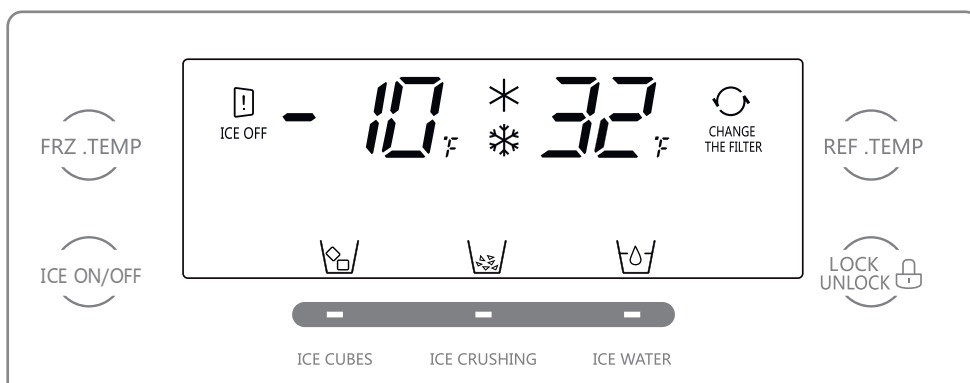
➤ Antes de instalar la línea de suministro de agua, usted necesitará:

- ADVERTENCIA: Conectar únicamente a un suministro de agua potable.
- El acceso a una línea de agua fría en su hogar con presión de agua entre 1.4 y 6,9 bar.
- Una válvula de cierre para conectar la línea de suministro de agua al sistema de agua de su hogar. NO use una válvula de cierre de tipo autoperforante.

➤ Para conectar el suministro de agua a la válvula de entrada de la máquina de hielo.

- Desconecte el refrigerador de la corriente eléctrica.
- Retire todos los accesorios de instalación (tubería de agua, conector, arandela, pinza) del interior del refrigerador.
- Apriete todas las conexiones donde pueda haber fugas, active el suministro de agua desde la válvula de cierre.
- Reconecte el refrigerador a la corriente eléctrica.

FUNCIONAMIENTO DE SU ELECTRODOMÉSTICO



Establecer el rango de temperatura: Modo Grado Fahrenheit

1. Rango de temperatura del refrigerador: 32 ~ 43°F (valor predeterminado 38°F)
2. Rango de temperatura del congelador: -10 ~ 5°F (valor predeterminado -2°F)

PANEL DE CONTROL – BLOQUEO PARA NIÑOS

Este producto tiene función de bloqueo de botones.

Cuando se bloquea el panel de control, los otros botones no funcionan, si se tocan otros botones, el icono REF.TEMP y FRZ.TEMP parpadearán.

Para salir del modo bloqueo, mantenga presionado el botón de bloqueo durante 3 segundos.

PANEL DE CONTROL - EN ESPERA

El PANEL DE CONTROL se apagará después de aproximadamente 20 segundos sin actividad.

Para reactivar la pantalla, simplemente presione cualquiera de los botones en el panel de control.

Configuración del control de la temperatura

- Su unidad tiene un control para regular la temperatura. El control de temperatura se encuentra en el exterior de la puerta del compartimiento del refrigerador.
- La primera vez que encienda el electrodoméstico, éste arrancará a la temperatura predeterminada establecida en fábrica, 38°F en la sección del refrigerador y -02°F en la sección del congelador.
- La primera vez que encienda el electrodoméstico, ajuste la temperatura en el compartimiento del refrigerador a 32°F y hágalo funcionar durante al menos durante 4 horas antes de colocar los alimentos dentro. Esto asegurará que el compartimiento del congelador estará completamente frío y que el compartimiento del refrigerador estará estabilizado antes de colocar los alimentos. Luego ajuste la temperatura a la configuración deseada que mejor se adapte a sus necesidades.
- Para ajustar la temperatura, presione el botón de zona apropiado y la zona seleccionada parpadeará. La temperatura cambiará de acuerdo con las temperaturas preestablecidas como se muestra a continuación, y escuchará un timbre cada vez que presione los botones del panel de control.

R- Ajuste de temperatura de la cámara

- La temperatura predeterminada del refrigerador es de 38°F. Para cambiar la temperatura, presione el botón "REF.TEMP" para recorrer las temperaturas configuradas:
→38→36→34→32→32+ (Super fridge)→43→41→39→38

F- Ajuste de temperatura de la cámara

• La temperatura predeterminada del congelador es -02 °F. Para cambiar la temperatura, presione el botón "FRZ.TEMP" para recorrer las temperaturas establecidas:

-02→-04→-06→-08→-10→-10+ (Super freezer)→05→04→02→00.

Modo Sabbat

1. Cómo ingresar al modo Sabbat:
cuando el congelador esté abierto, mantenga presionado el botón "Frigorífico" + el botón "Bloquear" durante 10 segundos;
2. En modo Sabbat:
 - a, No hay alarma de apertura de puerta;
 - b, Las luces LED en el compartimiento del refrigerador y del congelador están apagadas;
 - c, El panel de visualización no se mostrará a menos que sea ajustado por el hombre;*En el modo Sabbath, seguirá mostrando y emitiendo luz después de tocar el panel, pero se apagará después de esperar 20 segundos sin operación o después de abrir y cerrar la puerta una vez.
 - d, El refrigerador satisface la demanda de refrigeración normal;
3. Cómo salir del modo Sabbat:
 - a, Cuando el congelador esté abierto, mantenga presionado el botón "Fridge" + el botón "Lock" durante 10 segundos para salir manualmente;
 - b, Cuando el tiempo de trabajo del modo Sabbat exceda las 80 horas, saldrá automáticamente.

Máquina de hielo

Esta máquina de hacer de hielo funciona automáticamente (autoabastecimiento de agua, producción y separación de cubos de hielo), sin necesidad de suministrar agua manualmente. Cuando el recipiente para almacenar cubos de hielo está lleno, el sensor enviará automáticamente una señal a la máquina para que deje de fabricar hielo.

⚡ ADVERTENCIA ⚡

No tome cubitos de hielo con envases frágiles para evitar lesiones por rotura.

No toque la salida de hielo con los dedos para evitar que el hielo picado lastime las manos.

Cuando se pone en marcha un nuevo refrigerador, se debe prestar atención a lo siguiente:

Al tomar cubitos de hielo o hielo triturado, retire la cubierta de aislamiento térmico; el resto del tiempo, asegúrese de que la cubierta de aislamiento térmico se ha retirado.

Cuando saque agua de un refrigerador nuevo por primera vez, presione y mantenga presionado el botón de descarga de hielo, tome los primeros 1 ~ 2 L de agua y deséchelos, y luego tome agua para beber;

Al usar la máquina de hielo por primera vez, la primera caja de hielo no es adecuada para consumir desde el punto óptimo de desinfección.

Otras precauciones:

No utilice vasos demasiado profundos, estrechos o blandos, y coloque siempre el vaso cerca de la salida de hielo para evitar que los cubitos de hielo salten al suelo; mantenga una distancia adecuada entre la taza y la salida de hielo; si la taza está demasiado cerca de la salida de hielo, puede obstruir la descarga de hielo; una vez que la taza esté llena, suelte el botón de descarga de hielo para evitar que los cubitos de hielo se derramen en el suelo.

Cuando tome hielo o agua, mantenga el vaso en la salida de hielo durante 2~3 segundos después de soltar el botón de descarga de hielo, ya que es posible que salga hielo o agua en este momento. Después de confirmar que no sale hielo ni agua, simplemente retire el vaso.

Si utiliza únicamente la función de hielo triturado, la salida de hielo puede estar bloqueada por hielo triturado y eliminar el hielo triturado residual; al seleccionar un cubo de hielo después del hielo triturado, puede haber un poco de hielo triturado.

En caso de apagado durante un tiempo prolongado, el hielo en la caja de almacenamiento de hielo puede derretirse en agua que luego fluye hacia la cámara de congelación; en este caso, saque la caja de almacenamiento de hielo y deseche el hielo, y limpie el agua en la caja de almacenamiento de hielo y la cámara de congelación.

Consejos

La máquina de hielo sólo funciona cuando sus sensores detectan una temperatura ambiente de -13°C. Luego de conectar el refrigerador por primera vez, entre las siguientes 8-24 horas (dependiendo de la cantidad de comida almacenada en el refrigerador), la máquina de hielo comenzará a funcionar normalmente cuando esté en la posición de encendido (ON). Luego de 72 horas de funcionamiento continuo, la caja de almacenamiento estará llena de cubitos de hielo.

Fabricador de hielo automático

La fábrica de hielo y la caja de almacenamiento de hielo están dispuestas en la parte superior de la cámara de congelación. Cuando utilice la fábrica de hielo, asegúrese de que el interruptor de la fábrica de hielo esté encendido y que el sistema de agua esté conectado, y que la fábrica de hielo produzca hielo automáticamente. Cuando la caja de almacenamiento de hielo esté llena de hielo, el proceso de fabricación de hielo se detendrá automáticamente. La fábrica de hielo puede producir aproximadamente 1500 g de hielo cada 24 horas. Cuando la cámara de congelación alcanza la temperatura establecida, la fábrica de hielo puede producir el primer lote de hielo solo durante varias horas.

Precaución:

Cuando la fábrica de hielo está haciendo cubitos de hielo, es posible que escuche el pitido de la válvula de agua, el sonido del agua que fluye hacia la fábrica de hielo y el sonido de los cubitos de hielo al caer.

El platillo de recuperación debe ser limpiado a tiempo para evitar que el agua se derrame y dañe el suelo.

Dispensador de agua y hielo

ICE CUBES



Toque el botón "CUBOS DE HIELO"; [👉] si el indicador se enciende, mantenga presionado el botón de descarga de hielo con el vaso de vidrio y saldrán cubitos de hielo

ICE CRUSHING



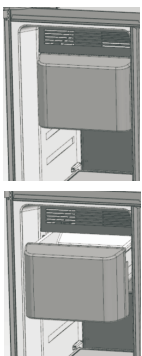
Toque el botón "HIELO TRITURADO" [👉] si el indicador se enciende, mantenga presionado el botón de descarga de hielo con el vaso de vidrio y saldrá hielo triturado

ICE WATER



Toque el botón "AGUA HELADA"; [👉] si el indicador se enciende, mantenga presionado el botón de descarga con el vaso de vidrio y saldrá agua helada

Instalación y desinstalación de la fábrica de hielo

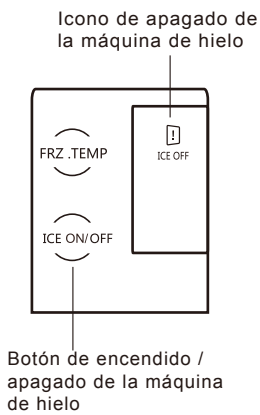


Se sugiere quitar la fábrica de hielo, limpiarla y luego instalarla cuando se use por primera vez o cuando se use durante un período prolongado. Desconecte el refrigerador antes de retirarla.

Para retirar la caja de almacenamiento de hielo, levántela con fuerza con ambas manos y luego sáquela; Limpiar, secar y luego instalar.

Al instalar la caja de almacenamiento de hielo, alinee la parte inferior con los rieles a ambos lados, colóquela en los rieles y luego empuje.

Apagado de la fábrica de hielo



- Si la función de fabricante de hielo no se necesita durante mucho tiempo, apague el fabricante de hielo temporalmente;
Sugerencia: esto solo desactiva la función de fabricación de hielo; el hielo restante en la caja de almacenamiento de hielo se puede aún conservar y utilizar y el sistema de agua funciona normalmente.
- Presione el botón "ICE ON / OFF" durante 3 segundos para apagar la fábrica de hielo, luego se iluminará el icono ICE ON / OFF.
- Después de apagar la fábrica de hielo, todavía se muestra el icono de hielo/agua en el panel de control y se habilita el botón "CUBOS DE HIELO/HIELO TRITURADO HIELO/AGUA HELADA", sin afectar la descarga de hielo/ agua.

PRECAUCIÓN:

Antes de apagar la fábrica de hielo, debe desconectar el sistema de agua del refrigerador con varias horas de anticipación. Después de apagar la fábrica de hielo, vacíe y limpie la caja de almacenamiento de hielo y luego vuelva a colocarla.

Cuando la función de fabricante de hielo está habilitada, si todavía hay hielo en la caja de almacenamiento de hielo, puede caerse durante el auto chequeo del refrigerador.

Filtro de agua

PRECAUCIÓN

No utilice el sistema dispensador de agua/hielo en lugares donde la calidad del agua sea mala o la descontaminación del agua no esté completamente confirmada.

El filtro se puede comprar en el centro de servicio posventa.

El elemento filtrante de la fábrica de hielo puede durar 180 días. Después de 165 días de uso, la lámpara indicadora del elemento filtrante parpadeará. El icono de la pantalla del elemento filtrante siempre brillará más de 180 días para recordar a los usuarios que deben reemplazar el elemento filtrante. Después de reemplazarlo, presione "ICE WATER" durante más de 5 segundos y el icono de cambio del elemento filtrante se apagará.

Información importante sobre el filtro de agua

Si el refrigerador está inactivo durante mucho tiempo o si el agua potable tiene un sabor anormal, limpie completamente el sistema de agua y simplemente saque agua del dispensador de hielo y agua durante varios minutos. Si hay mal olor o sabor, se debe reemplazar el filtro.

Reemplazo del filtro

Antes de reemplazar el filtro, debe desconectar el enchufe de alimentación del refrigerador o apagar el interruptor de alimentación principal y cortar la fuente de agua;

Desatornille y retire el filtro de acuerdo con la indicación de la flecha en el filtro;

Coloque el nuevo filtro y apriete;

Después de reemplazar el filtro, saque un poco de agua del dispensador de hielo y agua para eliminar el aire del sistema de agua;

Deseche el filtro de residuos directamente en un contenedor de basura.

PRECAUCIÓN: La función del filtro de agua apunta a remover las partículas en el agua, otras que bacterias o microorganismos.

NOTA:

NO RECOMENDAMOS LA INSTALACIÓN DEL REFRIGERADOR DONDE LA TEMPERATURA PUEDA BAJAR A MENOS DE 32°F (0°C) O SEA SUPERIOR A LOS 110°F (43°C). EL COMPRESOR NO PODRÁ MANTENER LAS TEMPERATURAS ADECUADAS DENTRO DEL REFRIGERADOR.

PARA INSTALACIONES EN LAS QUE LAS TEMPERATURAS PUEDEN ESTAR POR DEBAJO DE 32°, COLOQUE EL CONTROL DE TEMPERATURA DEL CONGELADOR A LA CONFIGURACIÓN "MÁS FRÍA". ESTO MEJORARÁ EL FUNCIONAMIENTO DEL REFRIGERADOR BAJO ESTAS CONDICIONES.

CUIDADO Y MANTENIMIENTO

➤ **Limpieza de su electrodoméstico**

- Desenchufe el artefacto y retire los alimentos y las canastas.
- Lave el interior con agua tibia y una solución de bicarbonato de sodio. La solución debe ser de aproximadamente 2 cucharadas de bicarbonato de sodio por cada litro de agua.
- Lave las canastas con una solución de detergente suave.
- El exterior del artefacto debe limpiarse con detergente suave y agua tibia.

PRECAUCIÓN

Si no desconecta el refrigerador-congelador, usted podría sufrir una descarga eléctrica o lesiones personales.

➤ **Falla de energía**

La mayoría de las fallas de energía se corrigen en unas pocas horas y no deberían afectar la temperatura de su refrigerador-congelador si minimiza la cantidad de veces que se abre la puerta. Si la electricidad va a estar apagada durante un período de tiempo más largo, debe tomar las medidas adecuadas para proteger sus alimentos.

➤ **Periodo de vacaciones**

Vacaciones cortas: Deje el artefacto funcionando durante vacaciones de menos de tres semanas.

Vacaciones largas: Si el electrodoméstico no va a ser usado por varios meses, quite todos los alimentos y desenchúfelo. Limpie y seque el interior a fondo. Para evitar olores y humedad, deje la Puerta ligeramente abierta, bloqueándola para que no se cierre, si es necesario.

➤ **Traslado de su electrodoméstico**

- Retire toda la comida.
- Asegure con cinta adhesiva todos los artículos sueltos dentro del artefacto.
- Gire los tornillos niveladores hacia la base para evitar daños.
- Asegure con cinta adhesiva la puerta cerrada.
- Asegúrese de que el artefacto permanezca en posición vertical durante el transporte.

➤ **Consejos de ahorro de energía**

- El artefacto debe ubicarse en el área más fresca de la habitación, lejos de aparatos que produzcan calor o calefacción, y fuera de la luz solar directa.
- Deje que los alimentos calientes se enfríen a temperatura ambiente antes de colocarlos en el electrodoméstico. La sobrecarga del aparato obliga al compresor a funcionar por más tiempo. Los alimentos que se congelan muy lentamente pueden perder calidad o echarse a perder.
- Asegúrese de envolver los alimentos adecuadamente y de secar cada recipiente antes de colocarlos en el electrodoméstico. Esto reduce la acumulación de escarcha dentro del congelador.
- Organice y etiquete los alimentos para reducir las aberturas de las puertas y las búsquedas prolongadas. Retire todos los ítems que esta necesitando de una sola vez y cierre la puerta lo antes posible.

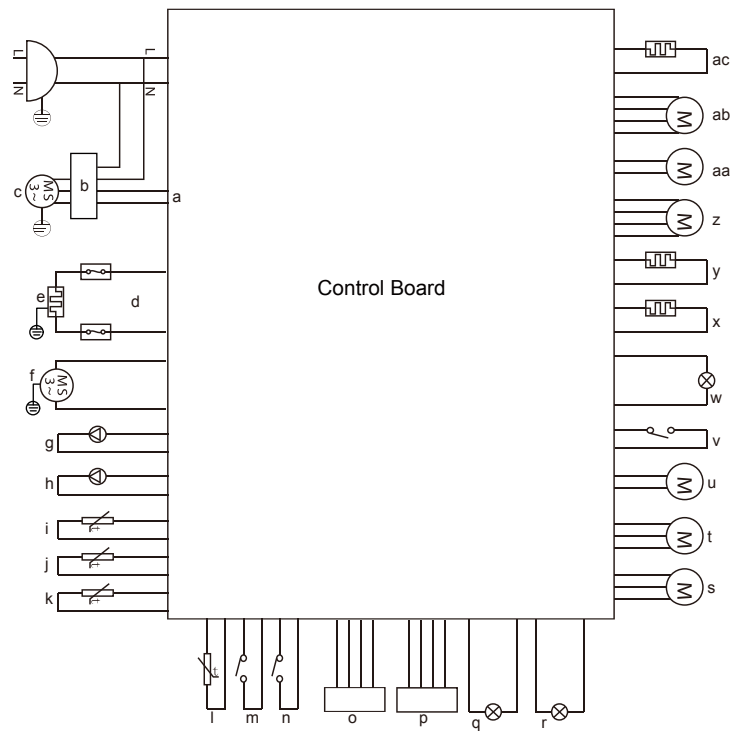
➤ ¿PROBLEMAS CON SU ELECTRODOMÉSTICO?

Usted puede resolver fácilmente muchos problemas comunes del refrigerador-congelador, ahorrándose el costo de una posible llamada al servicio técnico. Consulte las sugerencias a continuación para ver si puede resolver el problema antes de solicitar un servicio.

GUÍA DE SOLUCIÓN DE PROBLEMAS

PROBLEMA	POSIBLE CAUSA
El artefacto no funciona.	No está enchufado. El disyuntor se disparó o hay un fusible quemado.
El compresor se enciende y apaga con frecuencia.	La temperatura ambiente es más caliente que lo habitual. Una gran cantidad de comida ha sido colocada en el refrigerador-congelador. La puerta se ha abierto con mucha frecuencia. La puerta no está cerrada completamente. El control de temperatura no fue configurado correctamente. La junta de la puerta no sella apropiadamente. El refrigerador-congelador no tiene los espacios libres adecuados.
Vibraciones.	Asegúrese de que el refrigerador-congelador esté nivelado.
El artefacto parece hacer mucho ruido.	El ruido de traqueteo puede provenir del flujo del refrigerante, lo cual que es normal. A medida que finaliza cada ciclo, es posible que escuche sonidos de gorgoteo causados por el flujo de refrigerante en su refrigerador-congelador. La contracción y expansión de las paredes internas pueden causar ruidos y crujidos. El artefacto no está nivelado.
La puerta no cierra correctamente.	El artefacto no está nivelado. La puerta está invertida y no está instalada correctamente. La junta está sucia. Los canastos o cajones están fuera de posición.
El separador de secciones se siente cálido al tacto.	Esto es normal. El área del separador de secciones contiene un calentador anti condensación y estará caliente al tacto durante el ciclo de anti condensación para evitar que se forme condensación entre las dos secciones.

DIAGRAMA DE CABLEADO



a-Señal	h-I/M válvula de agua	o-Temperatura. y sensor de humedad	v-Micro interruptor
b-Inversor	i-R. sensor	p-Tablero de visualización	w-IWD lámpara
c-Compresor	g-F. sensor	q-F. lámpara	x-Calentador de válvula de salida de hielo
d-Protector térmico	k-Sensor de descongelación	r-R. lámpara	y-IWD calentador
e-Calentador de descongelamiento	l-I/M sensor	s-F. motor del ventilador	z-I/M manejar
f-motor de hielo	m-F.interruptor de la puerta	t-Motor del ventilador del condensador	aa-Motor de selección de hielo
g-Válvula de agua potable	n-R.interruptor de la puerta	u- Motor de la válvula de salida de hielo	ab-Motor a paso
			ac-Calentador de compuerta

