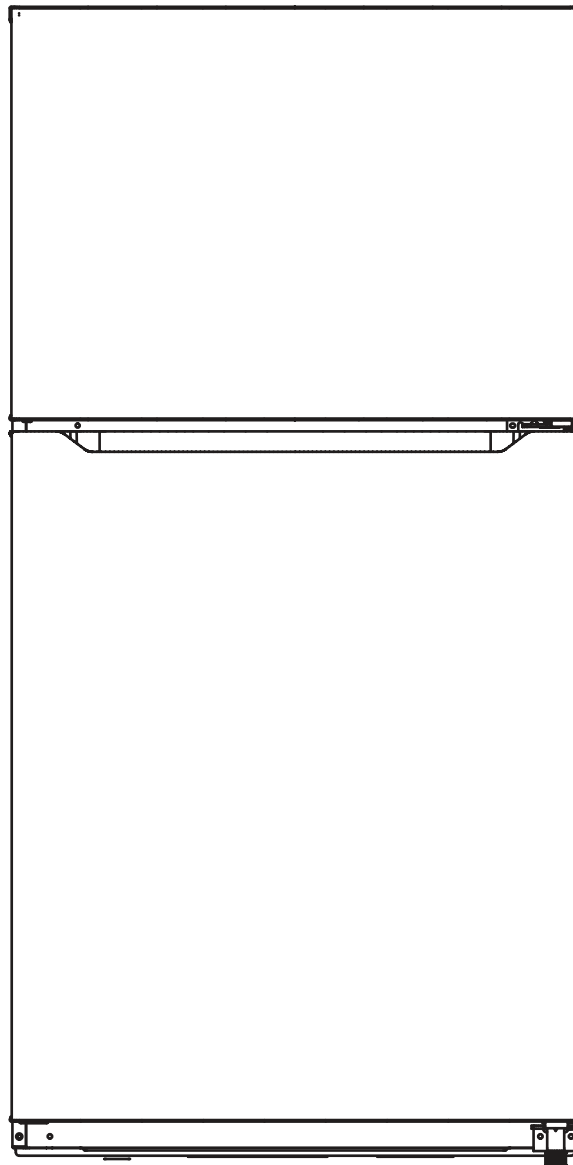


INSTALLATION & OPERATION MANUAL

CONSERVATOR

Refrigerator-Freezer

- **GRM183UW**
- **GRM183UB**
- **GRM183UD**
- **GRMH183UW**
- **GRMH183UB**
- **GRMH183UD**



Contents

1.	SAFETY WARNINGS.....	1
2.	INSTALLATION.....	2
2.1	Location.....	2
2.2	Reversing the Door Swing(optional).....	3
2.3	Door Space Requirements.....	6
2.4	Leveling the Unit.....	6
2.5	Cleaning Before Use.....	6
2.6	Before Using Your Unit.....	7
2.7	Interior Accessories.....	7
2.8	Icemaker Installation.....	7
2.9	Connecting Ice Maker to Water Supply.....	12
3.	PRODUCT OVERVIEW.....	13
4.	OPERATION.....	13
4.1	Key.....	13
4.2	Display Screen.....	13
4.3	Display.....	14
4.4	Shift Se ing.....	14
4.5	The Standby Control Func ion.....	14
4.6	Fault Indica ion.....	14
4.7	Temperature Control Opera ion.....	14
5.	CLEANING.....	15
5.1	Defros ing.....	15
5.2	Cleaning the Interior and the Exterior of the Unit.....	15
5.3	Cleaning Tips.....	15
6.	MAINTENANCE.....	15
6.1	Changing the Internal Light.....	15
6.2	Care When Handling / Moving Your Unit.....	15
6.3	Servicing.....	15
6.4	Switching Off for Long Periods of Time.....	15
7.	Troubleshoo ing.....	16
7.1	Quick ips.....	16

1. SAFETY WARNINGS



WARNING: risk of fire / flammable materials

- 1) **WARNING-** Do not use mechanical devices or other means to accelerate the defrosting process, other than those recommended by the manufacturer.
- 2) **WARNING-** Do not damage the refrigerant circuit.
- 3) **WARNING-** Do not use electrical appliances inside the food storage compartments of the appliance, unless they are of the type recommended by the manufacturer.
- 4) **WARNING-** Risk of child entrapment. Before you throw away your old refrigerator or freezer;
 - Take off the doors
 - Leave the shelves in place so that children may not easily climb inside.
- 5) **WARNING-** Keep ventilation openings, in the appliance enclosure or in the built-in structure, clear of obstruction
- 6) The appliance has to be unplugged after use and before carrying out user maintenance on the appliance.
- 7) This appliance can be used by children aged from 8 years and above and persons with reduced physical sensory or mental capabilities or lack of experience and knowledge if they have been given supervision or instruction concerning use of the appliance in a safe way and understand the hazards involved. Children shall not play with the appliance. Cleaning and user maintenance shall not be made by children without supervision.
- 8) If the SUPPLY CORD is damaged, it must be replaced by the manufacturer, its service agent or similarly qualified persons in order to avoid a hazard.
- 9) Please dispose of the refrigerator according to local regulations for it uses flammable blowing gas and refrigerant.
- 11) This appliance is intended to be used in household and similar applications such as
 - staff kitchen areas in shops, offices and other working environments;
 - farm houses and by clients in hotels, motels and other residential type environments;
 - bed and breakfast type environments;
 - catering and similar non-retail applications.
- 11) Do not use an extension cord with this appliance. If the power cord is too short, have a qualified electrician or service technician install an outlet near the appliance. Use of an extension cord can negatively affect the performance of the unit.
- 12) Do not store explosive substances such as aerosol cans with a flammable propellant in this appliance.
- 13) This appliance is not intended for use by person (including children) with reduced physical, sensory or mental capabilities, or lack of experience and knowledge, unless they have been given supervision or instruction concerning use of the appliance by a person responsible for their safety.
- 14) Children should be supervised to ensure that they do not play with the appliance.



IT IS HAZARDOUS FOR ANYONE OTHER THAN AUTHORIZED SERVICE PERSONNEL TO CARRY OUT SERVICING OF REPAIRS WHICH INVOLVE THE REMOVAL OF COVERS.



TO AVOID THE RISK OF AN ELECTRICAL SHOCK DO NOT ATTEMPT REPAIRS YOURSELF.

2. INSTALLATION

2.1 Location

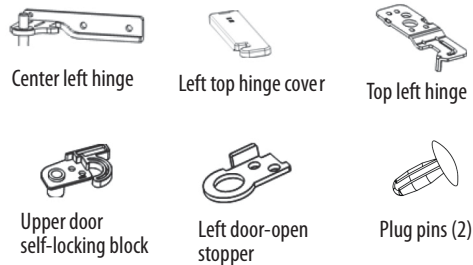
When selecting a position for your unit you should make sure the floor is flat and firm, and the room is well ventilated. Avoid locating your unit near a heat source, e.g. cooker, boiler or radiator. Also avoid direct sunlight as it may increase the electrical consumption. Extreme cold ambient temperatures may also cause the unit not to perform properly. This unit is not designed for use in a garage or outdoor installation. Do not drape the unit with any covering.

When installing the unit, ensure that 3 inch of free space is left at both sides, 1 inch at the rear and 1 inch at the top of the unit. This will allow cold air to circulate around the refrigerator and improve the efficiency of the cooling process.

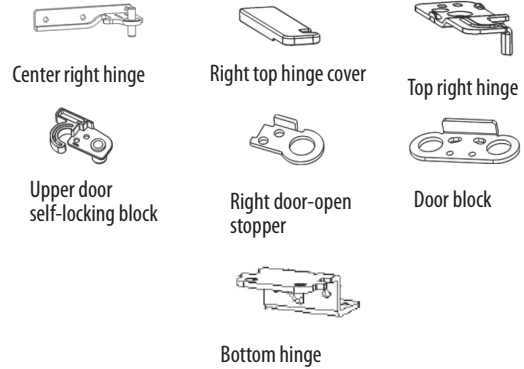
2.2 Reversing the Door Swing

Reversing the door position

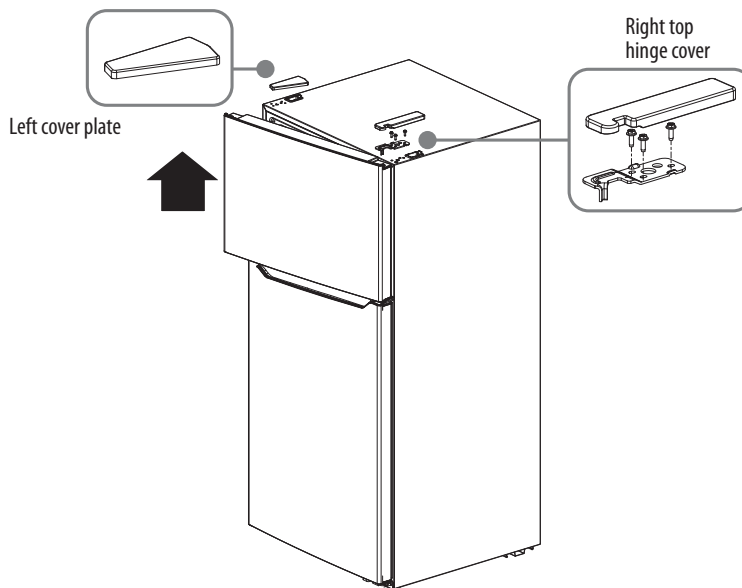
Parts included with the hinge kit:



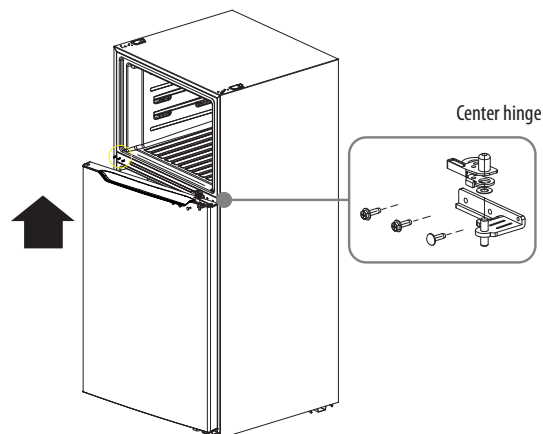
Parts already mounted on the door (as shipped):



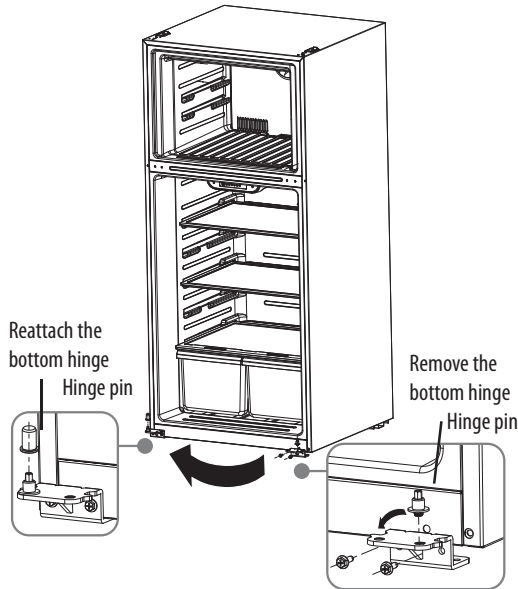
- 1 Unplug your refrigerator and remove all food from the door shelves.
- 2 Remove the left cover plate and the right top hinge cover, then unscrew and remove the right top hinge. Keep the screws to reuse.



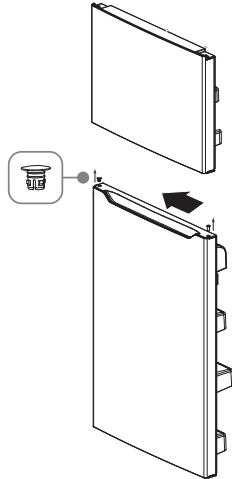
- 3 Lift the freezer door up and away from your refrigerator.
- 4 Unscrew the three screws holding the center hinge, remove the hinge, then lift the refrigerator door up and away from your refrigerator. Save the screws to reuse.



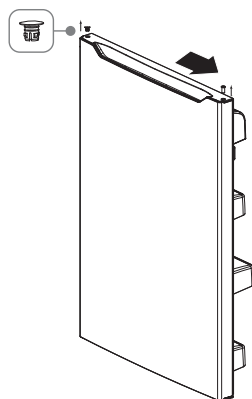
- 5 Unscrew the two screws holding the bottom hinge, then remove the bottom hinge from the bottom right side of the refrigerator.
- 6 Unscrew the hinge pin from the right side of the bottom hinge and move it to the left side, then secure the bottom hinge to the bottom left side of the refrigerator, using the screws you removed previously.



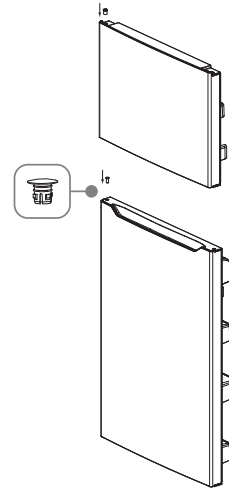
- 7 Remove the plastic bushing from the top right of the freezer and refrigerator doors.



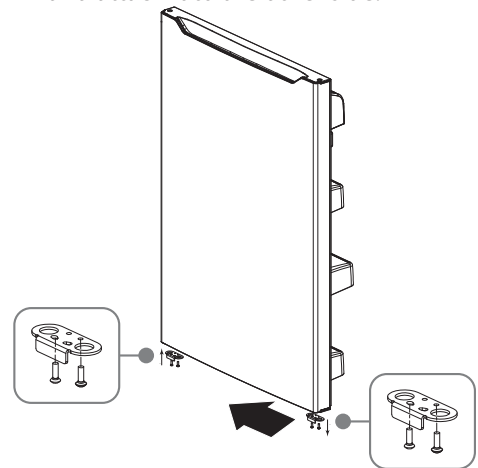
- 8 Remove the hole cap from the top left of refrigerator door and insert it in the other side.



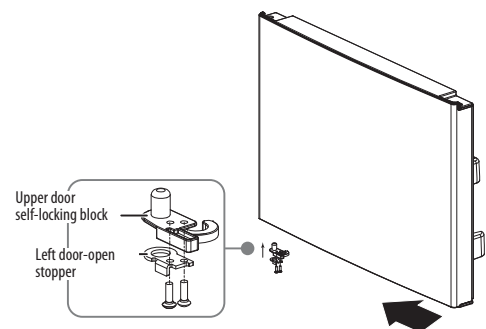
- 9 Insert the plastic bushings into the left sides of freezer and refrigerator doors.



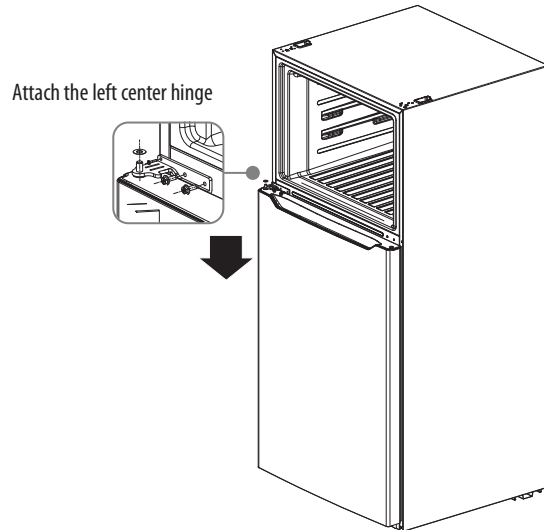
- 10 Remove the door block from the bottom, right side of the door and attach it to the other side.



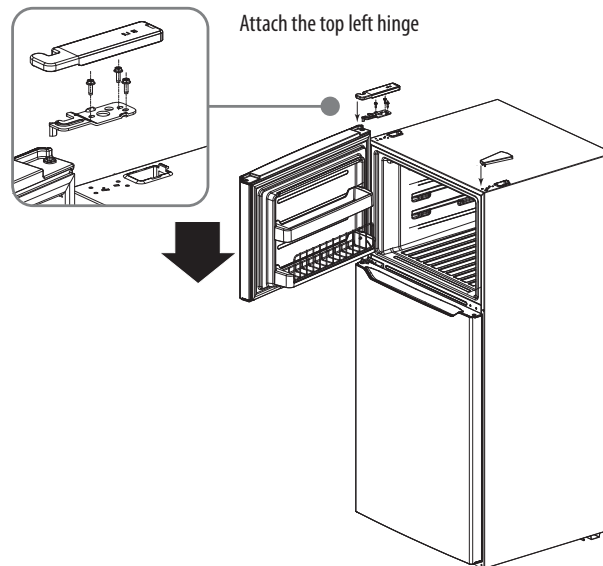
- 11 Attach the left upper door self-locking block and the left door-open stopper to the left side of the freezer door.



- 12 Remove the right upper door self-locking block and the right door-open stopper. Store in a safe place in case you need to reverse the door position again.
- 13 Remove the two hole caps from the left side, where the center hinge will go, and insert them into the other side.
- 14 Attach the refrigerator door on the bottom hinge, then attach the center left hinge to the left side of the refrigerator.



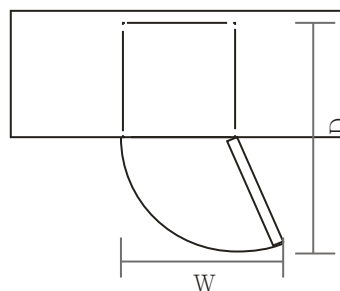
- 15 Put the freezer door onto the center left hinge, then attach the top left hinge to the top of refrigerator. Cover the hinge with the top left hinge cover and cover the screw holes on the right side of the top with the cover plate you previously removed.



2.3 Door Space Requirements

The unit's door must be able to open fully as shown.

$W \times D \geq 50.8 \text{ inch} \times 58.5 \text{ inch}$

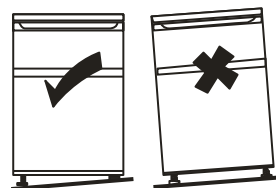


2.4 Leveling the Unit

To do this, adjust the two leveling feet at the front of the unit.

If the unit is not level, the door and magnetic seal alignments will not be covered properly.

Look down from the top, clockwise and counterclockwise loosening, tightening.



2.5 Cleaning Before Use

Wipe the inside of the unit with a weak solution of bicarbonate soda. Then rinse with warm water using a 'Wrung-out' sponge or cloth. Wash the shelves and salad bin in warm soapy water and dry completely before replacing in the unit. Clean the exterior of the unit with a damp cloth. If you require more information refer to the Cleaning section.

2.6 Before Using Your Unit

The refrigerator adopts 115V/60Hz AC power, voltage fluctuations over the range of 98 ~ 132V will cause malfunction or even damage.

Do not damage the power cord under any condition so as to ensure safety use, do not use when the power cord is damaged or the plug is worn.

Do not put flammable, explosive, volatile and highly corrosive items in the refrigerator to prevent damages to the product or fire accidents.

Do not place flammable items near the refrigerator to avoid fires.

This product is household refrigerators and shall be only suitable for the storage of foods. According to national standards, household refrigerators shall not be used for other purposes, such as storage of blood, drugs or biological products.

Do not place items such as bottled or sealed container of fluid such as bottled beers and beverages in the freezer to prevent bursts and other losses.

Before placing any food in your unit, turn it on and wait for 24 hours, to make sure it is working properly and to allow it time to fall to the correct temperature. Your unit should not be overfilled.

Do not store or place dry ice in the refrigerator.



◆ Before Plugging in

You must check that you have a socket which is compatible with the plug supplied with the unit.

◆ Before Turning On!

Do not turn on until two hours after moving the unit.

2.7 Interior Accessories

Various glass or plastic storage shelves are included with your appliance - different models have different combinations.

You should always slide one of the full size glass storage shelves into the lowest set of guides, above the fruit and vegetable containers, and keep it in this position. To do this, pull the storage shelf forward until it can be swiveled upwards or downwards and removed.

Please do the same in reverse to insert the shelf at a different height.

In order to make the full use of the volume of the fresh food storage compartment and frozen-food storage compartment, the user can remove one or more shelves, drawers, out of the appliance, according to your daily use.

2.8 Icemaker Installation(optional)

The refrigerator is ready for ice maker installation. Please use the correct ice maker kit.

Check with your dealer, use the model IM1800MD Ice Maker

Remove a protective cover before connecting the wire of the ice machine in the box.

Tools Required: •1/4 inch copper supply line with shut off valve

•1/4 inch brass compression nut and ferrule

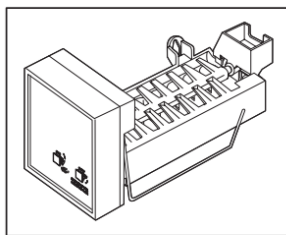
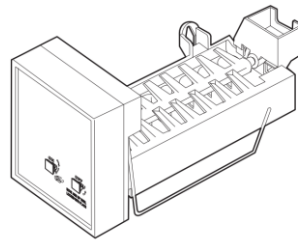
The copper tubing and shut off valve are available in a kit from your local hardware or plumbing supply store. Coil enough tubing at the back of the unit to allow movement for cleaning.

Unplug the refrigerator. To eliminate the danger of electric shock during installation, you must unplug the refrigerator from its electrical outlet.

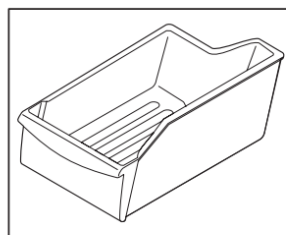


FOR INFORMATION ONLY -

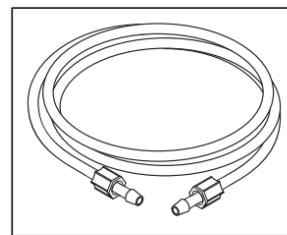
Please refer to the instructions included with the ice maker kit for precise instructions.



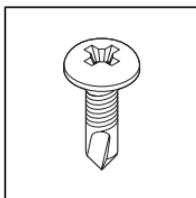
1. Ice Maker



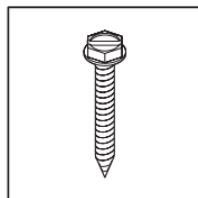
2. Ice Container



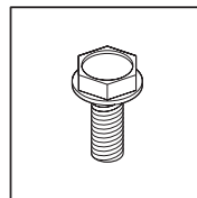
3. Plastic Water Supply Tubing



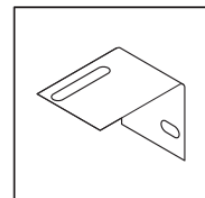
4. Screws - Qty 2



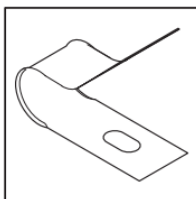
5. Screws - Qty 2



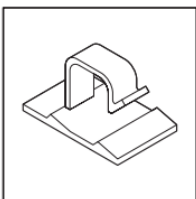
6. Leveling Bracket
Screw - Qty 1



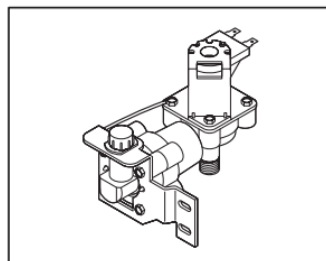
7. Leveling Bracket
Qty 1



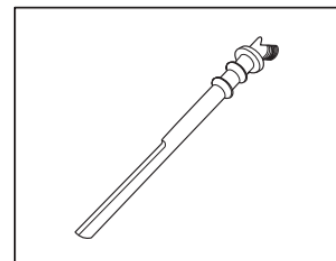
8. Steel Clamp - Qty 1



9. Plastic Clamp - Qty 2



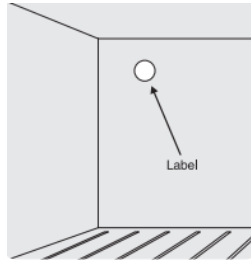
10. Water Valve - Qty 1



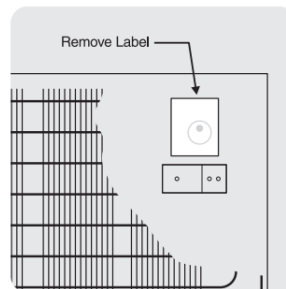
11. Water Inlet Tube - Qty 1

Tools Required: •Putty Knife, pliers, 1/4" socket wrench, needle nose pliers or nut driver, adjustable wrench, knife.

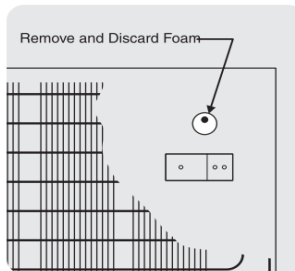
- 1) Unplug refrigerator from wall outlet.
- 2) Remove ice tray rack from freezer .
- 3) The frozen shelf moved to the next partition.
- 4) Remove plug from inside the freezer.



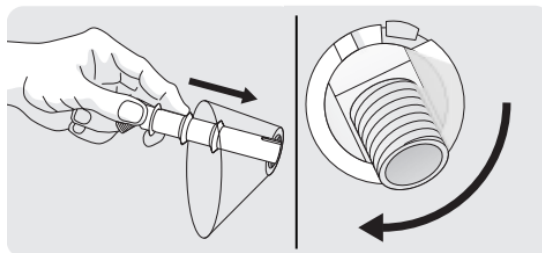
- 5) Peel off label covering ice maker hole on back of the refrigerator.



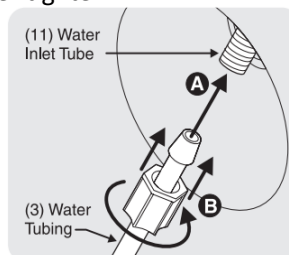
- 6) With needle nose pliers, remove foam from hole.



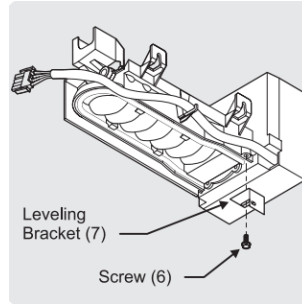
- 7) Push water inlet tube into small hole on back of refrigerator. Rotate while inserting tube until flat surface of inlet tube is tight against back of refrigerator.



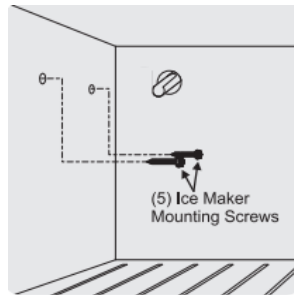
- 8) Push plastic water supply tubing (3) into water inlet tube (11) as far as it will go and finger tighten nylon compression nut onto threaded end of inlet tube. Tighten another one half turn with a wrench. DO NOT over tighten.



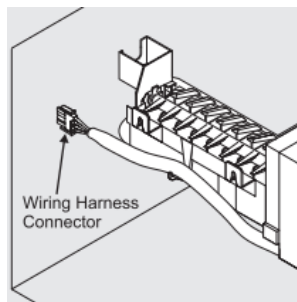
- 9) Install adjustable leveling bracket (7) on bottom of ice maker with screw (6). DO NOT tighten bracket. (Bracket will be tightened later.)



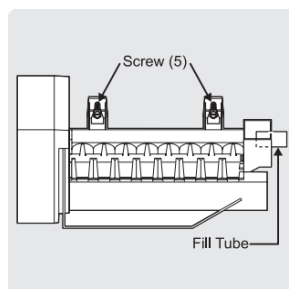
- 10) Start two, long, ice maker mounting screws (5) into freezer wall. Turn each screw five turns clockwise.



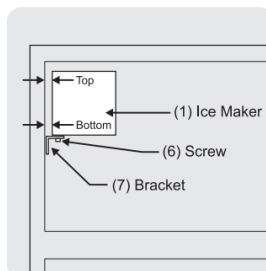
- 11) With ice maker in one hand, plug ice maker connector into connector mounted on top freezer panel. Make sure connection is tight.



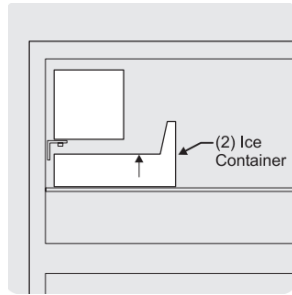
- 12) Mount ice maker onto two screws (5) you installed in Step 12. Tighten screws. Make sure water inlet tube (11) is sitting inside fill cup.



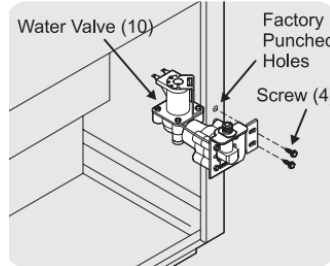
- 13) Adjust leveling bracket (7) to level ice maker (1). Ice maker is level when gap between freezer wall and ice maker is same at top and bottom. Tighten screw (6) when level.



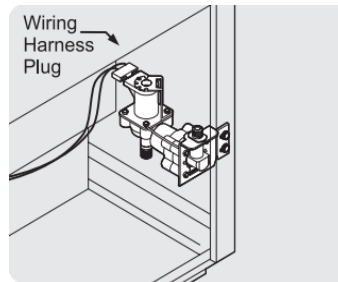
14) Reinstall freezer shelf in lower position. Set ice container (2) on shelf.



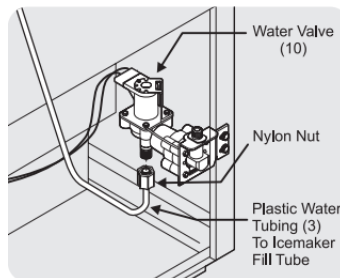
15) Locate factory punched holes at bottom right corner of rear panel. Holes are drilled through the cabinet liner. Align water valve bracket with factory drilled holes. Use a power drill with a Phillips® head bit to drive the two self drilling screws (4) through bracket and into cabinet.



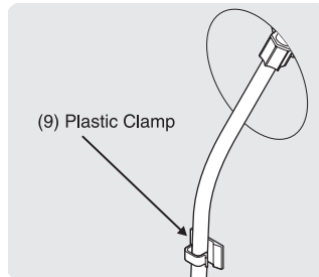
16) Connect wiring harness to water valve. Make sure connection is tight.



17) Push plastic water supply tubing into bottom of water valve as far as it will go. Finger tighten nylon compression nut onto threaded end of water valve. Tighten another one half turn with wrench. DO NOT over tighten.



18) Secure plastic water tubing to rear of cabinet with two plastic clamps (9). NOTE : Clean back of cabinet with a commercial household cleaner, ammonia or alcohol before applying clamps.





2.9 Connecting Ice Maker to Water Supply

Unplug the refrigerator. To eliminate the danger of electric shock during installation, you must unplug the refrigerator from its electrical outlet.

IMPORTANT: Ensure that your water supply line connections comply with all local plumbing codes.

Before Installing the Water Supply Line, You Will Need

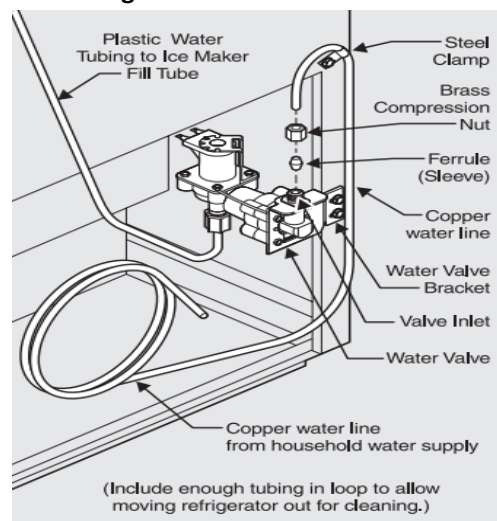
- Basic tools: adjustable wrench, flat blade screwdriver, and Phillips™ screwdriver.
- Access to a household cold water line with water pressure between 20 and 120 psi.
- A water supply line made of 1/4 inch (6.4 mm) OD, copper tubing. To determine the length of copper tubing needed, you will need to measure the distance from the ice maker inlet valve at the back of the refrigerator to your cold water pipe. Then add approximately 7 feet (2.1 meters), so the refrigerator can be moved out for cleaning.
- A shutoff valve to connect the water supply line to your household water system. **DO NOT** use a self-piercing type shutoff valve.
- A compression nut and ferrule (sleeve) for connecting the water supply line to the ice maker inlet valve.

NOTE: Water line kit number 5303917950, available from your appliance dealer at additional cost, contains 25 compression nuts, (2) ferrules/sleeves, and instructions for installing a water supply line.

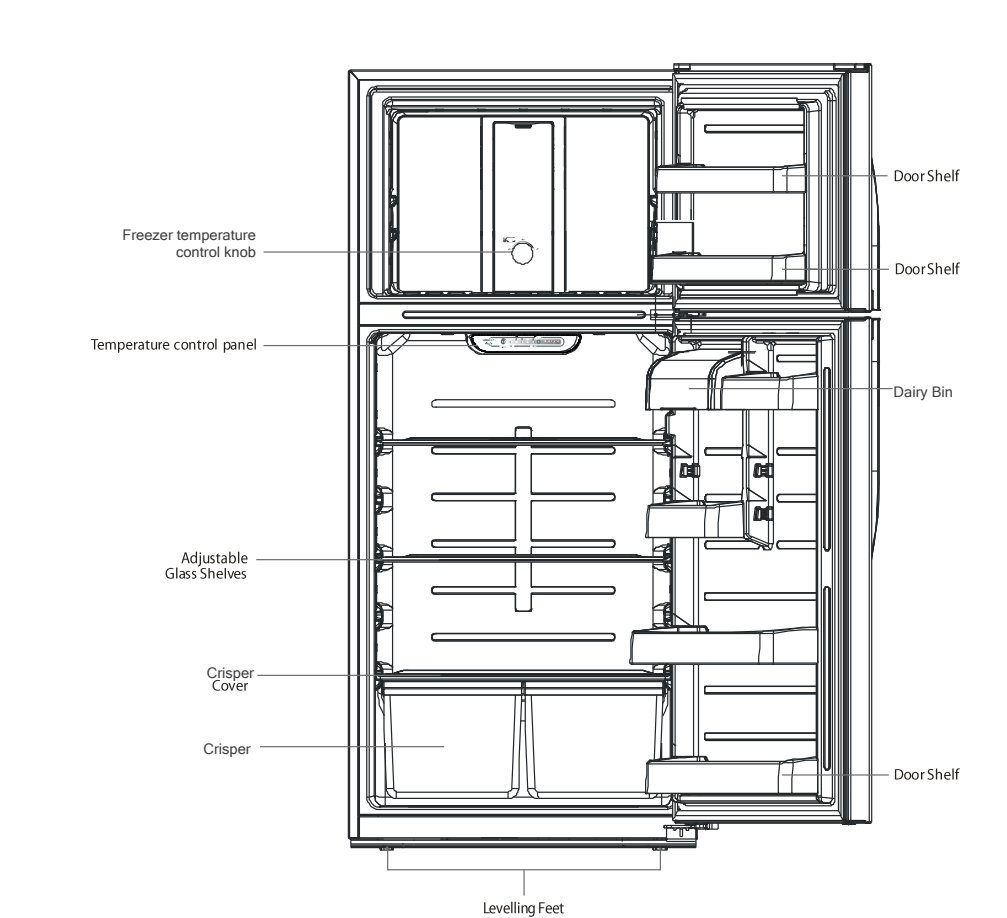
To Connect Water Supply Line To Ice Maker Inlet Valve

1. Disconnect refrigerator from electric power supply.
2. Place end of water supply line into sink or bucket. Turn ON water supply and flush supply line until water is clear. Turn OFF water supply at shutoff valve.
3. Unscrew plastic cap from water valve inlet and discard cap.
4. Slide brass compression nut, then ferrule (sleeve), onto water supply line, as shown.
5. Push water supply line into water valve inlet as far as it will go (1/4 inch). Slide ferrule (sleeve) into valve inlet and finger tighten compression nut onto valve. Tighten another half turn with a wrench; **DO NOT** over tighten.
6. With steel clamp and screw, secure water supply line to rear panel of refrigerator as shown.
7. Coil excess water supply line (about 2-1/2 turns) behind refrigerator as shown and arrange coils so they do not vibrate or wear against any other surface.
8. Turn ON water supply at shutoff valve and tighten any connections that leak and reconnect power.
9. To turn ice maker on, lower wire signal arm. (See ice maker front cover for on/off position of arm.)

IMPORTANT: It takes approximately 24 hours for the ice maker to begin producing ice. Air in new plumbing lines may cause ice maker to cycle 2 or 3 times before making a full tray of ice. New plumbing may cause ice to be discolored or have poor flavor. Discard ice made during the first 24 hours.



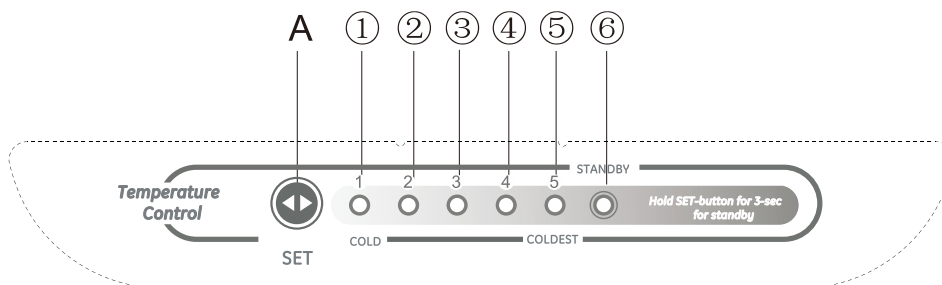
3. PRODUCT OVERVIEW & OPERATION



*All images in this instruction manual are for indication only; please refer to your individual unit for details

4. OPERATION

Setting the refrigerator temperature



- A: Set key
- 1 - warmest temperature setting
- 5 - coldest temperature setting
- 6 - Standby - (no cooling)

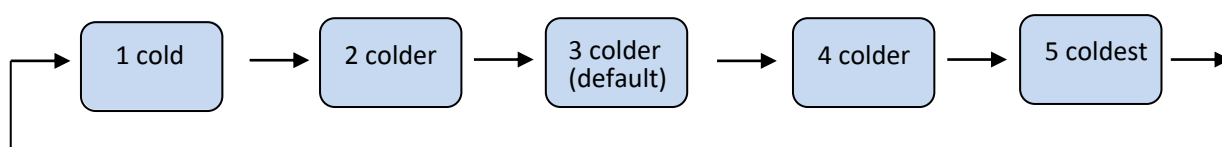
- The first time you turn the refrigerator on, the control panel LEDs turn on for 3 seconds, the display will show the current setting (default = 3). Your refrigerator will then run continuously for several hours until it reaches the preset temperature. After your refrigerator is fully cooled, you can adjust the temperature up or down to your personal preference.

- To temporarily suspend cooling in the refrigerator and freezer, press and hold the SET button for 3 seconds. The STANDBY LED turns on and cooling is turned off. Press the SET button again to cancel standby mode and resume cooling.

1 SET button: Press to change the refrigerator setting from 1 (cold) to 5 (coldest).

2 LED indicators Light to show the current refrigerator setting.

3 STANDBY LED Lights to indicate when the refrigerator is in standby mode (refrigerator and freezer are turned off).

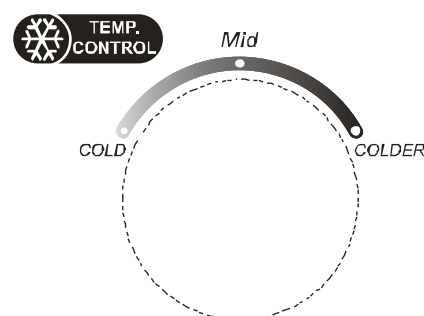


Temperature control operation

1. Initial setting of fresh compartment control panel is 3, for the freezer compartment, the initial setting is Mid position.
2. If the ambient temperature in the fresh food compartment is too cold, press the SET button to go to a lower number setting (1 or 2), the freezer compartment control knob should be placed in the COLDER position.
3. If the ambient temperature is too warm in the fresh food compartment press the SET button to a higher number (4 or 5) position, the freezer compartment control knob should be placed in Mid~COLDER position.

This could require many adjustments to achieve your preferred setting.

Tips: When the frozen compartment control knob is placed in COLD position, the fresh compartment will be more rapidly cooled, but if left in the COLD position for a long time, the temperature inside fresh compartment may be reduced to below freezing.



- If the refrigerator is unplugged or loses power, you must wait three to five minutes before restarting it. If you attempt to restart before this time delay, the refrigerator will not start.
- Large amounts of food will lower the cooling efficiency of the refrigerator.
- If you choose to change the thermostat setting, adjust it by one increment at a time. Allow 24 hours for the temperature to stabilize between adjustments.

5. CLEANING

5.1 Defrosting

Auto-defrost for Frost-free Refrigerator

5.2 Cleaning the Interior and the Exterior of the Unit

- ◆ Remove all the shelves and the salad bin. To remove the salad bin first remove the lower door shelf.
- ◆ Wipe the inside of the unit with a weak solution of bicarbonate soda and then rinse with warm water using a “wrung-out” sponge or cloth. Wipe completely dry before replacing the shelves and salad bin.
- ◆ Use a damp cloth to clean the exterior, and then wipe with a standard furniture polish. Make sure that the door is closed to avoid the polish getting on the magnetic door seal or inside the unit.


5.3 Cleaning Tips

Condensation may appear on the outside of the unit. This may be due to a change in room temperature. Wipe of any moisture residue. If the problem continues, please contact a qualified technician for assistance.

6. MAINTENANCE

6.1 Changing the Internal Light

Setting the refrigerator control to off does not remove power to the light circuit.

 CAUTION: Light bulb may be hot.

To replace the LED light bulb:

- 1). Unplug the refrigerator.
- 2). The light bulb is located at the top of the refrigerator cabinet.
- 3). Using a screwdriver, remove the screw securing the light cover, then remove the light cover.
- 4). Replace the LED with a new LED, input rating: 115V AC 3.5 W.
- 5). Replace the light cover.
- 6). Plug the refrigerator back in and resume normal functioning.

6.2 Care When Handling / Moving Your Unit

Hold the unit around its sides or base when moving it. Under no circumstances should it be lifted by holding the edges of the top surface.

The refrigerator is arranged at the bottom of the condenser, be careful to keep the bottom dry, during the handling process.

Check leveling feet before moving.

6.3 Servicing

The unit should be serviced by an authorized engineer and only genuine spare parts should be used. Under no circumstances should you attempt to repair the unit yourself. Repairs carried out by inexperienced persons may cause injury or serious malfunction. Contact a qualified technician.

6.4 Switching Off for Long Periods of Time

When the unit is not in use for a long period of time, disconnect it from the main power supply, empty all food and clean the appliance, leaving the door ajar to prevent from unpleasant smells.

7. Troubleshooting

The following simple issues can be handled by the user. Please call the after-sale service department if the issues are not settled.

Inoperation	Whether the freezer is plugged and connected to power; Low voltage; Failure power or tripping circuit
Odor	Odorous foods should closely wrapped; Whether foods are rotten; Whether the interior shall be cleaned.
Long-term operation of compressor	It is normal that refrigerator operates for longer time in summer when the ambient temperature is higher; Do not put too much food in the freezer at one time; Do not put foods until they are cooled; Frequent opening of refrigerator door.
Internal light does not shine	Whether the refrigerator is connected to power, whether the light bulb is damaged.
The refrigerator door can not be properly closed.	The freezer door is stuck by food packages; Too much food; Tilt refrigerator.
Loud noises	Whether the food is leveled, whether the refrigerator is balanced; Whether the refrigerator parts are properly placed.

7.1 Quick tips:

- ◆The refrigerator enclosure may emit heat during operation especially in summer, this is caused by the heat radiation of the condenser, and it is a normal phenomenon.
- ◆Condensation: condensation phenomenon will be detected on the exterior surface and door seals of the freezer when the ambient humidity is high, this is a normal phenomenon, and the condensation can be wiped away with a dry towel.
- ◆Buzz: Buzz will be generated by running compressor especially when starting up or shutting down.

For more information, please contact your local retailer where you purchased the product.

WARRANTY

REFRIGERATOR WARRANTY

Your refrigerator is protected by this warranty

	WARRANTY PERIOD	THROUGH OUR AUTHORIZED SERVICERS, WE WILL:	THE CONSUMER WILL BE RESPONSIBLE FOR:
FULL ONE-YEAR WARRANTY	One year from original purchase date	Pay all costs for repairing or replacing any parts of this appliance which prove to be defective in materials or workmanship. Excludes original and replacement Ice & Water filter cartridges (if equipped). Original and replacement cartridges are warranted for 30 days (parts only).	Costs of service calls that are listed under NORMAL RESPONSIBILITIES OF THE CONSUMER. *

In the U.S.A., your appliance is warranted by The Crosley Group. We authorize no person to change or add to any of our obligations under this warranty. Our obligations for service and parts under this warranty must be performed by an authorized Crosley servicer. In Canada your appliance is warranted by Crosley Canada Corp.

*NORMAL RESPONSIBILITIES OF THE CONSUMER

This warranty applies only to products in ordinary household use, and the consumer is responsible for the items listed below:

- 1 Proper use of the appliance in accordance with instructions provided with the product.
- 2 Proper installation by an authorized servicer in accordance with instructions provided with the appliance and in accordance with all local plumbing, electrical and/or gas codes.
- 3 Proper connection to a grounded power supply of sufficient voltage, replacement of blown fuses, repair of loose connections or defects in house wiring.
- 4 Expenses for making the appliance accessible for servicing, such as removal of trim, cupboards, shelves, etc., which are not part of the appliance when it was shipped from the factory.
- 5 Damages to finish after installation.
- 6 Replacement of light bulbs and/or fluorescent tubes (on models with these features).

EXCLUSIONS

This warranty does not cover the following:

- 1 CONSEQUENTIAL OR INCIDENTAL DAMAGES SUCH AS PROPERTY DAMAGE AND INCIDENTAL EXPENSES RESULTING FROM ANY BREACH OF THIS WRITTEN OR ANY IMPLIED WARRANTY.
NOTE: Some states do not allow the exclusion or limitation of incidental or consequential damages, so this limitation or exclusion may not apply to you.
- 2 Service calls which do not involve malfunction or defects in workmanship or material, or for appliances not in ordinary household use. The consumer shall pay for such service calls.
- 3 Damages caused by services performed by servicers other than Crosley Corporation, Crosley Canada Corp. or its authorized servicers; use of parts other than genuine Crosley Corporation parts, obtained from persons other than such servicers; or external; causes such as abuse, misuse, inadequate power supply or acts of God.
- 4 Products with original serial numbers that have been removed or altered and cannot be readily determined.

IF YOU NEED SERVICE

Keep your bill of sale, delivery slip, or some other appropriate payment record. The date on the bill establishes the warranty period should service be required. If service is performed, it is in your best interest to obtain and keep all receipts. This written warranty gives you specific legal rights. You may also have other rights that vary from state to state. Service under this warranty must be obtained by contacting Crosley Corporation or Crosley Canada Corp.

This warranty only applies in the 50 States of the U.S.A., in Puerto Rico, and in Canada. Product features or specifications as described or illustrated are subject to change without notice. All warranties are made by The Crosley Group. In Canada, your appliance is warranted by Crosley Canada Corp

Rev. 01/2023

FOR WARRANTY INFORMATION CONTACT:

844-CROSLEY (844-276-7539)

CrosleyCare Service
3 Sperry Rd.
Fairfield, NJ 07004

FOR WARRANTY INFORMATION FOR CANADA CONTACT:

800-461-7700

CrosleyCare Canada
99 Bruce Crescent
Carleton Place, ON K7C 3T3, Canada

FOR PRODUCT INFORMATION CONTACT

800-356-5268

Crosley
St Louis, MO 63126
www.crosleycom

www.conseratorappliance.com

Disclaimer: The design and specifications are subject to change without prior notice for product improvement

MANUEL D'INSTALLATION ET D'UTILISATION

CONSERVATOR

Réfrigérateur-Congélateur

- **GRM183UW**
- **GRM183UB**
- **GRM183UD**
- **GRMH183UW**
- **GRMH183UB**
- **GRMH183UD**

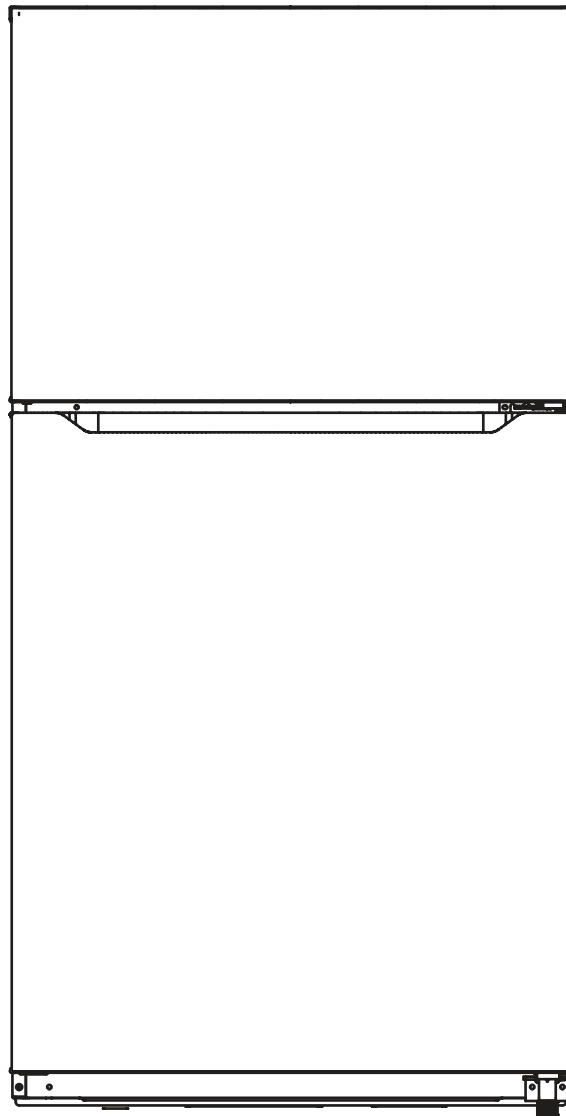


Table des matières

1.	CONSIGNES DE SÉCURITÉ.....	1
2.	INSTALLATION	2
2.1	Emplacement.....	2
2.2	Inverser la porte battante (optionnelle).....	3
2.3	Espaces requis pour la porte	6
2.4	Nivelage de l'appareil.....	6
2.5	Nettoyage avant utilisation.....	6
2.6	Avant d'utiliser votre appareil.....	7
2.7	Accessoires intérieurs.....	7
2.8	Installation d'un appareil à glaçons (optionnelle)	7
2.9	Brancher l'appareil à glaçons à l'alimentation d'eau	12
3.	APERÇU DU PRODUIT	14
4.	OPERATION.....	14
4.1	Touche.....	14
4.2	Écran d'affichage	14
4.3	Affichage.....	15
4.4	Touche régulateur de position	15
4.5	Fonction de contrôle VEILLE	15
4.6	Indication d'erreur.....	15
4.7	Fonctionnement du contrôle de température	15
5.	NETTOYAGE	16
5.1	Dégivrage	16
5.2	Nettoyer l'intérieur et l'extérieur de l'appareil.....	16
5.3	Conseils de nettoyage.....	16
6.	ENTRETIEN	16
6.1	Changer l'ampoule intérieure.....	16
6.2	Faites attention en entretenant ou en déplaçant votre appareil.....	16
6.3	Service.....	16
6.4	Extension de l'appareil pendant une longue période de temps	16
7.	Dépannage	17
7.1	Conseils.....	17

1. CONSIGNES DE SÉCURITÉ



Attention: Risque d'incendie.

- 1) AVERTISSEMENT – N'utilisez pas des dispositifs mécaniques ou autres appareils pour accélérer le processus de dégivrage, sauf ceux recommandés par le fabricant.
- 2) AVERTISSEMENT – Ne pas endommager le circuit de refroidissement.
- 3) AVERTISSEMENT – N'utilisez pas des appareils électriques dans les compartiments de stockage d'aliments, sauf ceux recommandés par le fabricant.
- 4) AVERTISSEMENT – DANGER : Risque de piégeage des enfants ! Avant de jeter votre vieux réfrigérateur ou congélateur :
 - Enlevez les portes.
 - Laissez les étagères en place pour éviter que les enfants grimpent facilement dans le réfrigérateur.
- 5) L'appareil doit être débranché après utilisation ou avant d'effectuer un entretien de l'appareil.
- 6) Cet appareil peut être utilisé par des enfants âgés de 8 ans et plus et des personnes avec capacités physiques, sensorielles ou mentales réduites ou des personnes dénuées d'expériences et de connaissances sur l'appareil si elles sont supervisées ou si elles ont reçu les instructions sur l'utilisation de l'appareil en toute sécurité et comprennent les dangers possibles. Les enfants ne doivent pas jouer avec l'appareil. Le nettoyage et l'entretien de l'appareil ne doivent pas être effectués par des enfants sans supervision.
- 7) Si le cordon d'alimentation est endommagé, il doit être remplacé par le fabricant, un agent de service agréé ou des personnes similaires qualifiées pour éviter tout incident.
- 8) Veuillez disposer du réfrigérateur selon les exigences des régulateurs locaux car l'appareil utilise du gaz et du réfrigérant inflammables.
- 9) Veuillez disposer du réfrigérateur selon les règlements locaux car l'appareil utilise du réfrigérant et du gaz inflammables. Avant de mettre l'appareil au rebut, retirez les portes pour éviter aux enfants de grimper à l'intérieur de l'appareil.
- 10) Cet appareil est destiné uniquement pour un usage domestique ou dans un environnement analogue tel que:
 - dans les zones de cuisine pour personnel dans les commerces, bureaux et autres lieux de travail semblables;
 - dans les maisons de ferme, à destination des clients dans les hôtels, motels et autres lieux d'hébergement ;
 - dans les chambres d'hôtes ;
 - dans une restauration et les environnements similaires chez les détaillants.
- 11) N'utilisez pas de rallonge. Si le cordon d'alimentation est trop court, faites appel à un électricien qualifié ou un technicien agréé pour installer une prise de courant à proximité de l'appareil. L'utilisation d'une rallonge peut affecter de manière négative la performance de l'appareil.



IL EST DANGEREUX POUR QUICONQUE AUTRE QU'UN PERSONNEL DE SERVICE AGRÉÉ D'EFFECTUER DES OPÉRATIONS DE RÉPARATION IMPLIQUANT LE RETRAIT DES COUVERCLES.



POUR ÉVITER DES RISQUES DE CHOC ÉLECTRIQUE, N'ESSAYEZ PAS DE RÉPARER L'APPAREIL PAR VOUS-MÊME.

2. INSTALLATION

2.1 Emplacement

En choisissant un emplacement pour votre appareil, assurez-vous que le sol soit plane et ferme, et que la pièce soit bien aérée. Évitez de placer votre appareil dans un endroit à proximité de sources de chaleur, telles que cuisinière, chaudière ou radiateur. Évitez également le contact direct avec la lumière du soleil pour éviter une forte consommation électrique. Des températures ambiantes extrêmement froides peuvent également causer l'appareil à ne pas fonctionner correctement. L'appareil n'est pas destiné pour une utilisation dans un garage ou une installation extérieure. Ne couvrez surtout pas l'appareil.

En installant l'appareil, assurez-vous de laisser 3 pouces d'espace libre sur les deux côtés, 1 pouce au derrière et 1 pouce au-dessus de l'appareil. Ceci permettra à l'air froid de circuler autour du réfrigérateur et améliorer l'efficacité du processus de refroidissement.

2.2 Inverser la porte battante

Inverser la position de la porte

Pièces fournies avec le kit de charnière:



Charnière centrale gauche



Couvercle supérieur gauche de la charnière



Charnière supérieure gauche



Bloc de verrouillage automatique supérieur de la porte



Bouchon gauche d'ouverture de porte



Broches de connexion (2)



Charnière centrale droite



Couvercle supérieur droit de la charnière



Charnière supérieure droite



Bloc de verrouillage automatique supérieur de la porte



Bouchon droit d'ouverture de porte

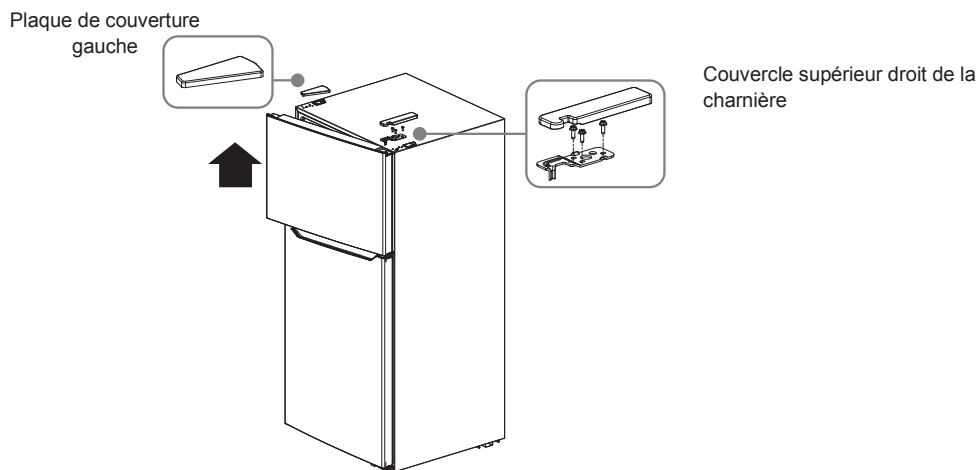


Blocage de porte

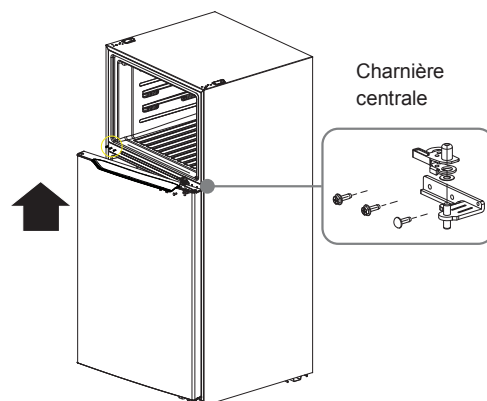


Charnière inférieure

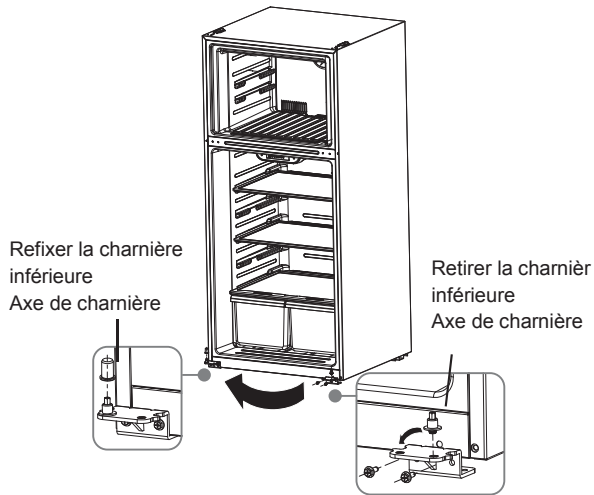
1. Débranchez votre réfrigérateur et retirez tous les aliments des étagères de porte.
2. Retirez la plaque de couverture gauche et le couvercle supérieur droit de la charnière, puis dévissez et enlevez la charnière supérieure droite. Gardez les vis pour les réutiliser.



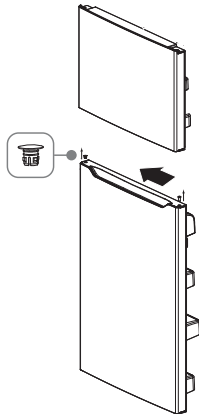
3. Soulevez la porte du congélateur pour l'enlever de votre réfrigérateur.
4. Dévissez les trois vis qui maintiennent la charnière centrale, retirez la charnière, puis soulevez la porte du réfrigérateur et enlevez-la de votre réfrigérateur. Gardez les vis pour les réutiliser.



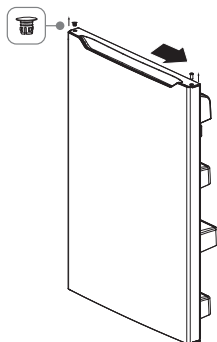
5. Dévissez les deux vis qui maintiennent la charnière inférieure, puis retirez la charnière inférieure du côté inférieur droit du réfrigérateur.
6. Dévissez l'axe de charnière du côté droit de la charnière inférieure et déplacez-le vers le côté gauche, puis fixez la charnière inférieure sur le côté inférieur gauche du réfrigérateur, en utilisant les vis retirées précédemment.



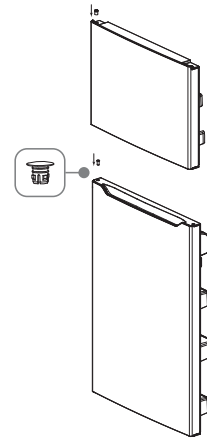
7. Retirez l'embout isolant en plastique de la partie supérieure droite des portes du congélateur et du réfrigérateur.



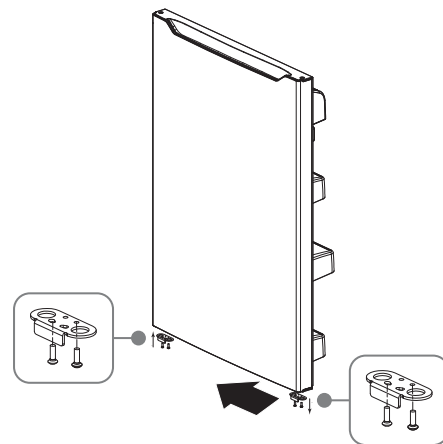
8. Retirez le bouchon du trou de la partie supérieure gauche de la porte du réfrigérateur et insérez-le à l'autre côté.



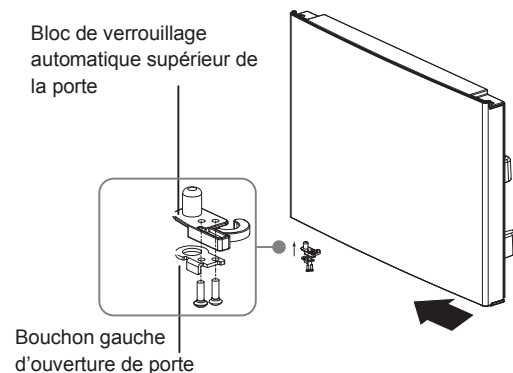
9. Insérez les embouts isolants en plastique dans les côtés gauches des portes du congélateur et du réfrigérateur.



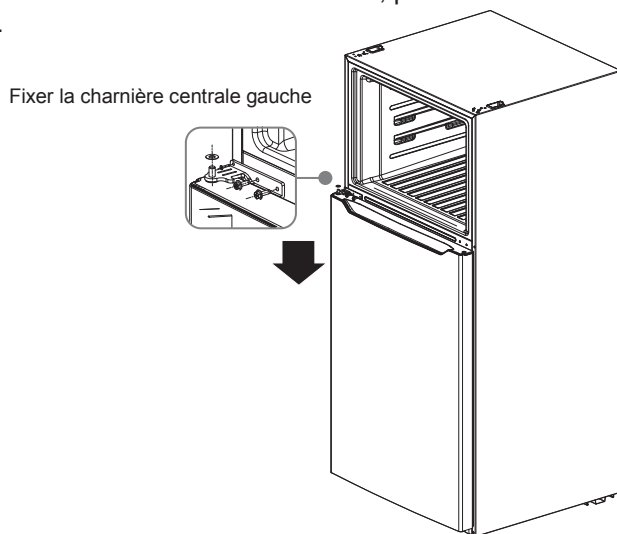
10. Retirez le verrou de porte du côté droit inférieur de la porte et fixez-le à l'autre côté.



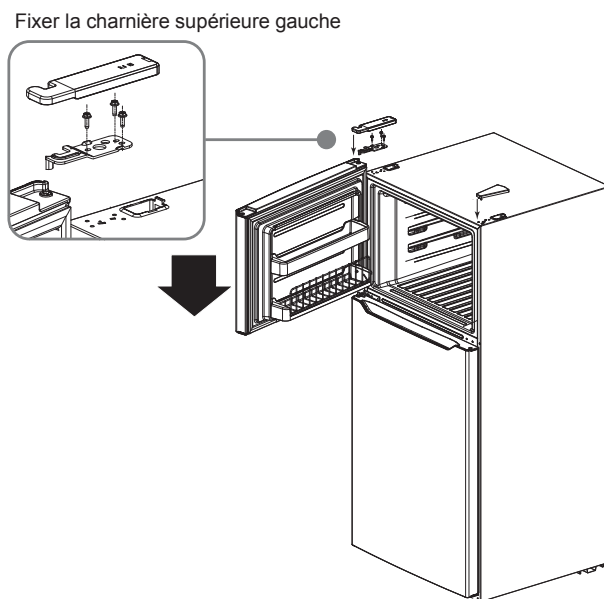
11. Fixez le bloc de verrouillage automatique supérieur gauche de la porte et la butée d'ouverture de porte gauche sur le côté gauche de la porte du congélateur.



12. Retirez le bloc de verrouillage automatique supérieur droit et la butée droite d'ouverture de porte. Rangez dans un lieu sûr au cas où vous souhaitez inverser à nouveau la position de la porte.
13. Retirez les deux bouchons de trou du côté gauche, où entrera la charnière centrale, puis insérez-les dans l'autre côté.
14. Fixez la porte du réfrigérateur sur la charnière inférieure, puis fixez la charnière centrale gauche sur le côté gauche du réfrigérateur.



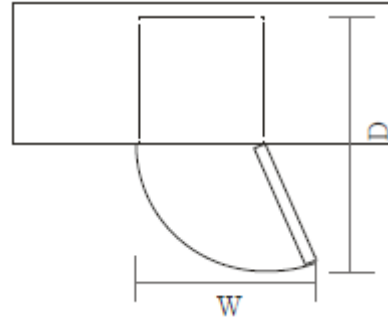
15. Fixez la porte du congélateur sur la charnière centrale gauche puis fixez la charnière supérieure gauche à la partie supérieure du réfrigérateur. Couvrez la charnière avec le couvercle supérieur gauche de la charnière et refermez les trous de vis sur le côté droit de la partie supérieure avec la plaque de couverture que vous avez retirée précédemment.



2.3 Espaces requis pour la porte

La porte de l'appareil doit être complètement ouverte comme montré sur l'image.

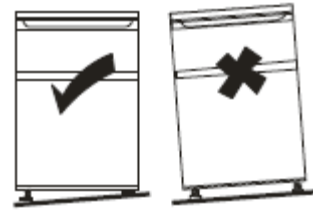
$W \times D \geq 50,8 \text{ pouces} \times 58,5 \text{ pouces}$



2.4 Nivelage de l'appareil

Pour niveler l'appareil, ajustez les pieds de nivellement se trouvant au-devant de l'unité. Si l'appareil n'est pas nivelé, la porte et les joints magnétiques ne seront pas placés correctement.

Regardez l'emplacement général du corps de l'appareil, vérifiez des relâchements et resserrements dans le sens horaire et antihoraire.



2.5 Nettoyage avant utilisation

Nettoyez l'intérieur de l'appareil avec une solution à faible quantité de bicarbonate de sodium. Puis rincez avec de l'eau tiède en utilisant une éponge ou un tissu essoré(e). Lavez les étagères et la corbeille à salades dans de l'eau savonneuse et séchez-les complètement avant de les remettre à l'intérieur de l'appareil. Nettoyez l'extérieur de l'appareil avec un chiffon humide. Pour plus d'informations, lisez la section NETTOYAGE.

2.6 Avant d'utiliser votre appareil

Le réfrigérateur nécessite une alimentation électrique à 115 volts CA, 60 Hz. Des fluctuations de voltage dépassant l'intervalle de 98 à 132 volts peuvent entraîner un dysfonctionnement de ou des dommages à l'appareil.

Par mesure de sécurité, n'endommagez pas le cordon d'alimentation en quelque circonstance que ce soit. N'utilisez pas un cordon d'alimentation endommagé ou un connecteur usé.

Ne mettez pas des produits inflammables, explosifs, volatils et fortement corrosifs dans le réfrigérateur pour éviter la détérioration des produits stockés et le risque d'incendie.

Ne placez pas des produits inflammables à proximité du réfrigérateur pour éviter tout risque d'incendie.

Ce produit est un réfrigérateur ménager, il est destiné uniquement pour stocker des produits alimentaires.

Selon les normes nationales, les réfrigérateurs ménagers ne doivent pas être utilisés à d'autres fins telles que stocker du sang, des médicaments ou des produits biologiques.

Ne stockez pas des produits tels que des produits en bouteille ou en conteneurs scellés comme bouteilles de bière et boissons en bouteille dans le congélateur pour éviter des fuites et autres pertes.

Avant de mettre des produits alimentaires dans l'appareil, allumez le réfrigérateur et attendez 24 heures pour s'assurer que l'appareil fonctionne correctement et que la température soit correcte. Ne surchargez pas votre réfrigérateur.

Ne pas stocker ni entreposer de la glace sèche dans votre réfrigérateur.



◆ Avant de brancher

Vérifiez si vous avez une prise compatible avec la fiche fournie avec l'appareil.

◆ Avant d'allumer

Mettre sous tension deux heures après déplacement de l'appareil.

2.7 Accessoires intérieurs

Des étagères de stockage en verre ou en plastique sont fournies avec l'appareil. Différents modèles ont différents combinaisons.

Vous devez toujours glissez une des étagères en verre de grande taille au niveau le plus bas, au-dessus des bacs à fruits et à légumes, et les gardez ainsi. Pour cela, tirez l'étagère de rangement vers l'avant jusqu'à ce qu'elle puisse être soulevée vers le haut ou poussée vers le bas et retirée.

Suivez la même étape pour insérer l'étagère à une hauteur différente.



Pour utiliser l'espace des compartiments de stockage de denrées alimentaires fraîches et congelées de manière optimale, vous pouvez retirer une ou plusieurs étagères et/ou tiroirs de l'appareil selon votre utilisation journalière.

2.8 Installation d'un appareil à glaçons (optionnelle)

Un appareil à glaçons peut être installé dans le réfrigérateur. Si vous avez besoin d'un appareil à glaçons :

Choisissez le type d'Appareil à Glaçons du IM1800MD.

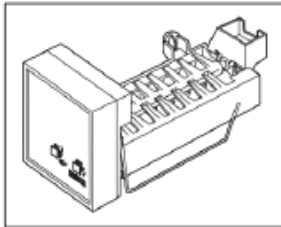
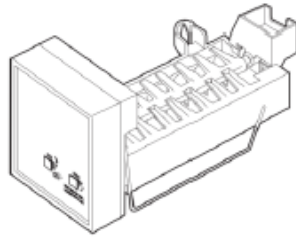
Retirez le couvercle protecteur avant de brancher le fil de la machine à glaçons dans la boîte.

- Outils nécessaire:**
- Conduite d'alimentation en cuivre ¼ pouce et vanne de fermeture
 - Écrou à compression en laiton ¼ pouce et férule
 - Étagère de congélateur. Si le modèle de votre appareil n'en possède pas, contactez votre revendeur pour en commander une.

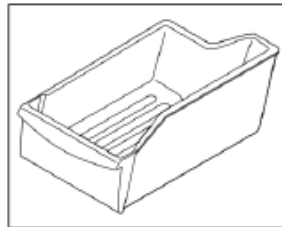
Le tubage en cuivre et la vanne de fermeture sont disponibles en trousse complète dans une quincaillerie ou dans les magasins d'articles de plomberie. Enroulez assez de tubages au derrière de l'appareil pour pouvoir effectuer un nettoyage sans gêne.



Débranchez le réfrigérateur. Pour prévenir les risques de choc électrique durant l'installation, débranchez le réfrigérateur de la source d'alimentation électrique.



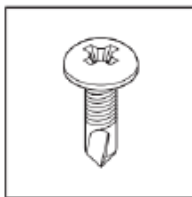
1. Appareil à glaçons



2. Récipient à glaçons



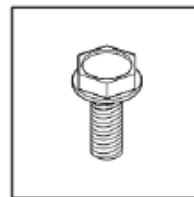
3. Conduite d'alimentation d'eau en plastique



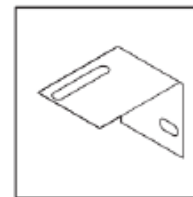
4. Vis : 2 pcs



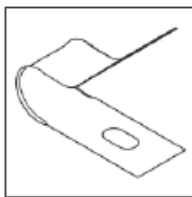
5. Vis : 2 pcs



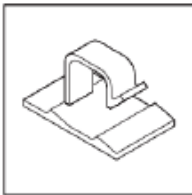
6. Vis pour support de mise à niveau; 1 pc



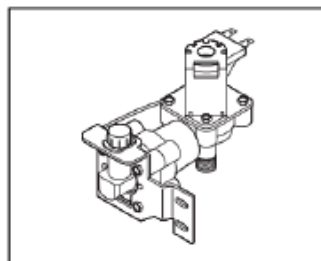
7. Support de mise à niveau; 1 pc



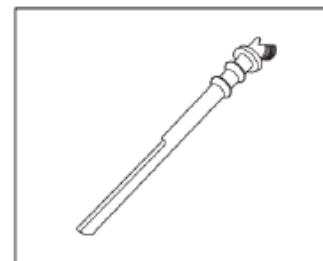
8. Pince en acier - 1 pc



9. Pince en plastique; 1pc



10. Vanne d'eau ; 1 pc



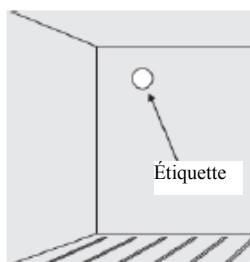
11. Tube d'entrée d'eau; 1 pc

Outils nécessaire:

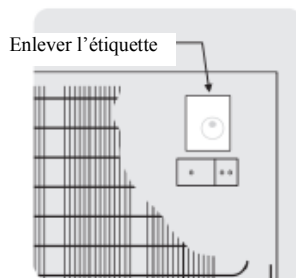
- Couteau à mastic
- Pince

- Clé à douille ¼ pouce
- Pince à bec ou Chasse-écrou
- Pince réglable
- Couteau

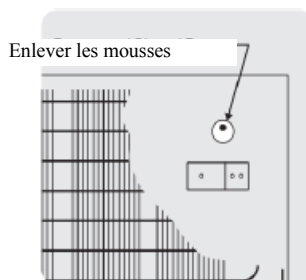
- 1) Débranchez le réfrigérateur de la prise électrique.
- 2) Retirez le support du bac à glaçons.
- 3) Déplacez le support à la cloison suivante.
- 4) Retirez les fiches à l'intérieur du congélateur avec un couteau à mastic.



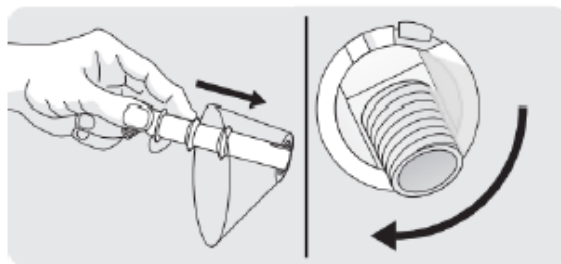
- 5) Enlevez l'étiquette couvrant le trou de l'appareil à glaçons.



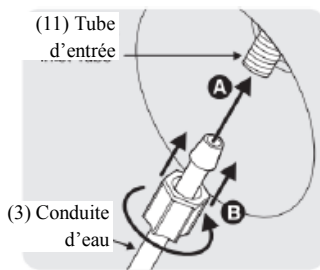
- 6) Enlevez les mousses du trou avec une pince à bec.



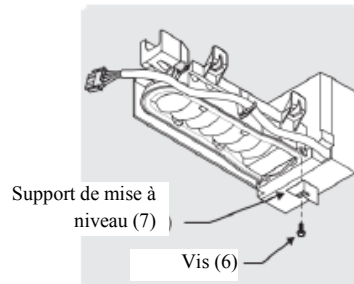
- 7) Poussez le tube d'entrée d'eau dans le petit trou se trouvant au derrière du réfrigérateur. Faites tourner tout en insérant le tube jusqu'à ce que la surface plane du tube soit bien serrée contre le derrière du réfrigérateur.



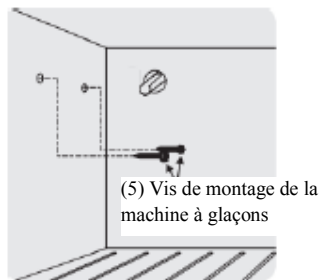
- 8) Poussez la conduite d'alimentation d'eau en plastique (3) dans le tube d'entrée d'eau (11), poussez aussi loin que possible. Serrez (avec les doigts) l'écrou à compression en nylon au bout du tube d'entrée. Serrez en faisant la moitié d'un tour avec une clef. NE PAS trop serrer.



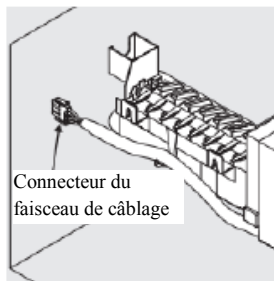
- 9) Installez le support de mise à niveau (7) réglable sur la partie inférieure de la machine à glaçons avec une vis (6). NE PAS serrer le support. (Le support sera à serrer plus tard.)



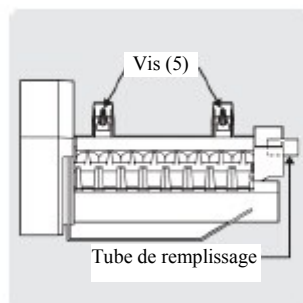
- 10) Mettez deux longs vis de montage (5) dans le mur du congélateur. Tournez chaque vis 5 fois dans le sens horaire.



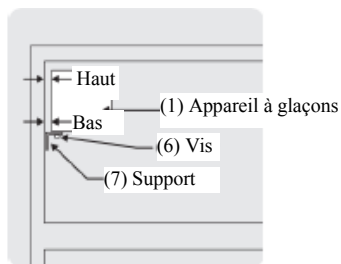
- 11) Prenez et placez l'appareil à glaçons dans une main, puis branchez le connecteur de l'appareil dans le connecteur monté sur la partie supérieure du panneau du congélateur. Assurez-vous que la connexion soit bien serrée.



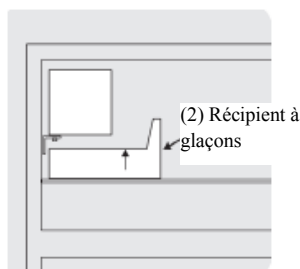
- 12) Montez l'appareil à glaçons sur les deux vis (5) que vous avez monté à l'étape 10. Serrez les vis. Assurez-vous que le tube d'entrée d'eau (11) s'assoit dans la coupelle de remplissage.



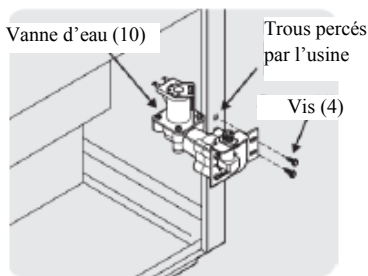
- 13) Ajustez le support de nivellement (7) au niveau de l'appareil à glaçons (1). L'appareil à glaçons est nivelé lorsque l'espace entre le mur du congélateur et l'appareil à glaçons est la même au-dessus et au-dessous. Une fois nivelé, serrez le vis (6).



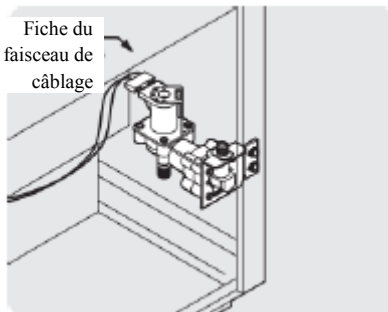
- 14) Réinstallez l'étagère du congélateur à une position plus basse. Placez le récipient à glaçons (2) sur l'étagère.



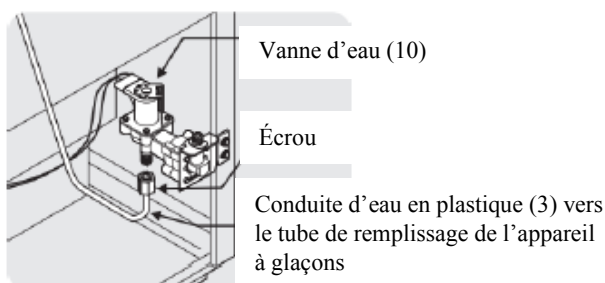
- 15) Trouvez les trous faits par l'usine au coin inférieur droit du panneau arrière. Les trous sont uniquement percés à travers le revêtement du cabinet. Alignez le support de la vanne d'eau avec les trous percés par l'usine. Utilisez une perceuse électrique Phillips® pour faire entrer les deux vis de perçage (4) à travers le support et dans le cabinet.



- 16) Connectez le faisceau de câblage à la vanne d'eau. Assurez-vous que la connexion soit bien serrée.

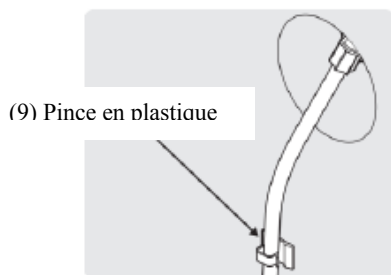


- 17) Poussez la conduite d'alimentation d'eau en plastique au fond de la vanne d'eau, poussez aussi loin que possible. Serrez (avec les doigts) l'écrou à compression en nylon au bout de la vanne d'eau. Serrez encore une fois en faisant la moitié d'un tour avec une clef. NE PAS trop serrer.



18) Sécurisez la conduite d'eau plastique au derrière du cabinet avec deux pinces en plastique (9).

NOTE: Nettoyez le derrière du cabinet avec un agent nettoyant commercial, de l'ammoniaque ou de l'alcool avant d'utiliser les pinces.



2.9 Brancher l'appareil à glaçons à l'alimentation d'eau



Débranchez le réfrigérateur. Pour éliminer tout risque de choc électrique durant l'installation, vous devez débrancher le réfrigérateur de la prise électrique.

IMPORTANT : Assurez-vous que les connexions des conduites d'alimentation d'eau soient conformes aux codes de plomberie locaux.

Avant d'installer la Conduite d'Alimentation d'Eau :

Vous avez besoin d'outils élémentaires : clef réglable, tournevis plat, et tournevis Phillips®.

Vous devez avoir accès à une conduite d'entrée d'eau froide avec une pression d'eau entre 20 à psi.

Vous devez avoir une ligne d'alimentation d'eau avec tubage en cuivre OD ¼ pouce (6,4mm). Pour connaître la longueur de la conduite en cuivre nécessaire, vous devez mesurer la distance entre la vanne d'entrée de l'appareil à glaçons se trouvant à l'arrière du réfrigérateur et le tuyau d'eau froide. Puis ajoutez approximativement 7 pieds (2,1 mètres) pour que le réfrigérateur puisse être déplacé pour nettoyage.

Vous avez besoin d'une vanne de fermeture pour connecter la conduite d'alimentation d'eau au système d'eau de votre maison. NE PAS utiliser une vanne de fermeture de type auto-perçant.

Vous avez également besoin d'un écrou à compression et d'une fêrule (manche) pour connecter la conduite d'alimentation d'eau à la vanne d'entrée de l'appareil à glaçons.

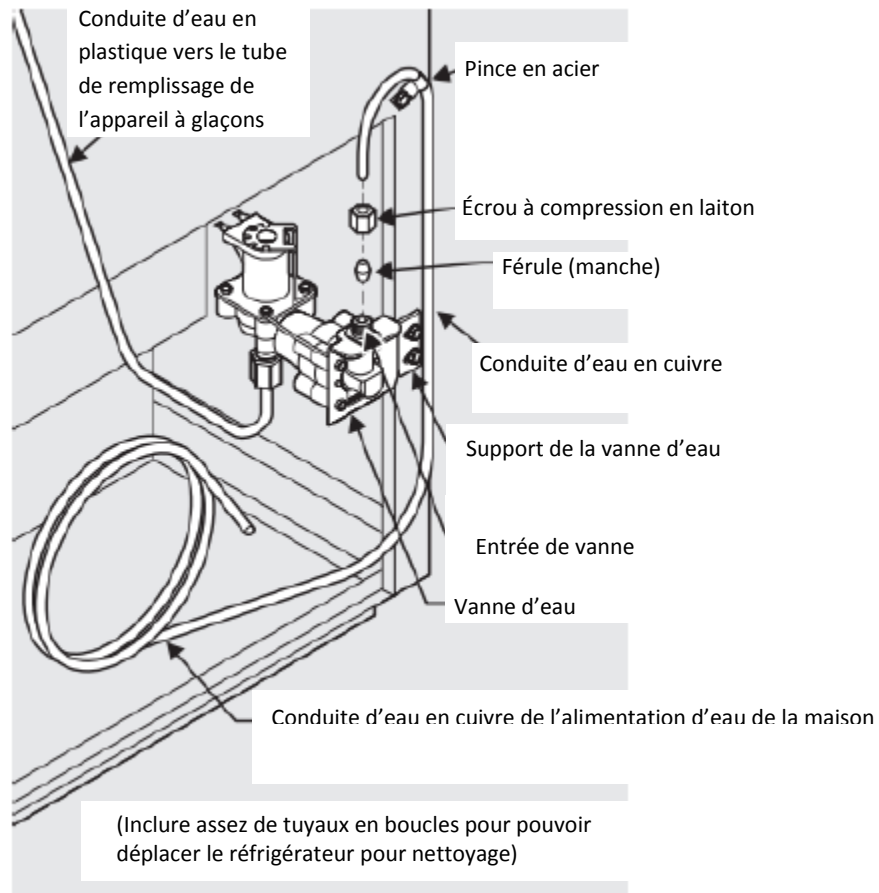
NOTE: Le numéro de kit de la conduite d'eau est 5303917950, disponible chez votre revendeur à un coût additionnel, contient 25 écrous à compression, (2) fêrules/manches, et un manuel d'instructions sur comment installer la conduite d'alimentation d'eau.

Pour connecter la Conduite d'Alimentation d'Eau à la vanne d'entrée de l'Appareil à Glaçons:

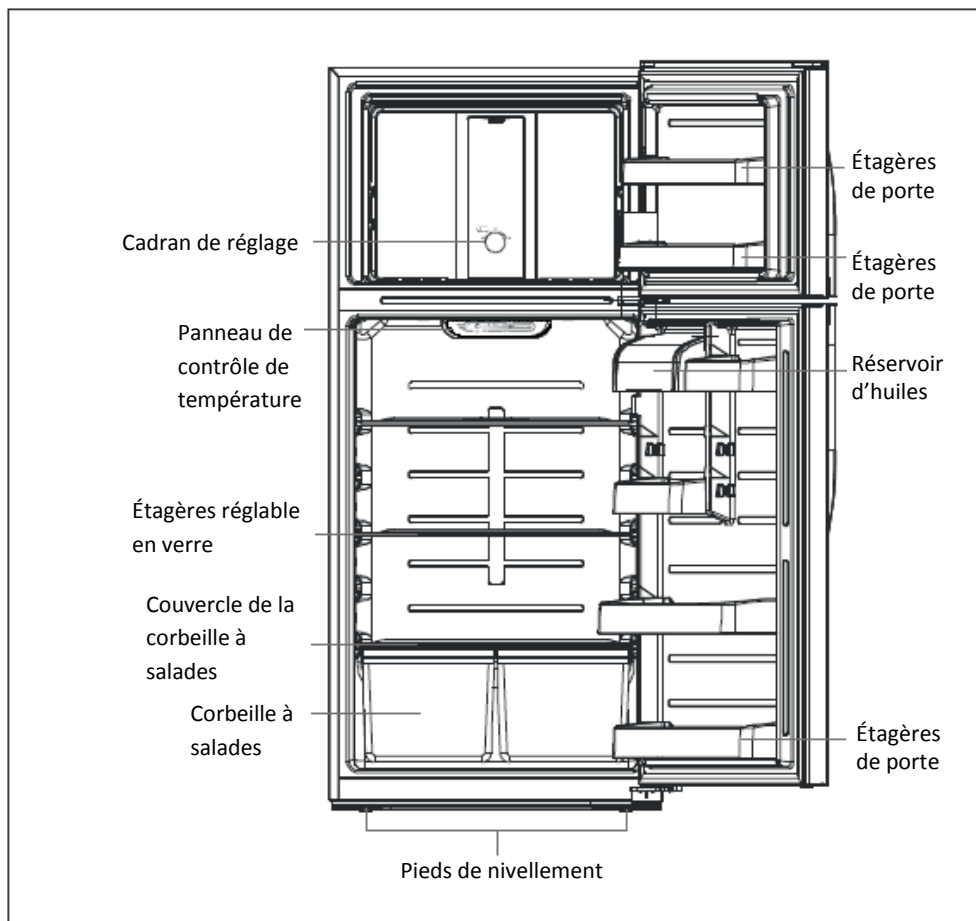
1. Débranchez le réfrigérateur de la source d'alimentation.
2. Mettez le bout de la conduite d'alimentation d'eau dans l'évier ou dans un seau. Allumez l'alimentation d'eau, laissez couler jusqu'à ce que l'eau soit propre. Utilisez la vanne de fermeture pour fermer l'alimentation d'eau.
3. Dévissez le capuchon en plastique à l'entrée de la vanne d'eau puis jetez le capuchon.

4. Faites glisser l'écrou à compression en laiton dans la conduite d'alimentation d'eau, puis la férule (manche), comme montré sur l'image ci-dessous.
5. Poussez la conduite d'alimentation d'eau dans l'entrée de la vanne d'eau, poussez aussi loin que possible (1/4 pouce). Faites glisser la férule (manche) dans l'entrée de la vanne, puis serrez l'écrou à compression à la vanne avec les doigts. Serrez en faisant la moitié d'un tour avec une clef. NE PAS trop serrer.
6. Prenez pince en acier et vis, fixez la conduite d'alimentation d'eau au panneau arrière du réfrigérateur comme montré sur l'image ci-dessous.
7. Enroulez les tuyaux d'eau en excès (environ demi-tour à 2 tours) derrière le réfrigérateur comme montré sur l'image ci-dessous, puis placez les tuyaux de sorte qu'ils ne bougent pas et ne s'usent pas.
8. Allumez l'alimentation d'eau en tournant la vanne de fermeture, serrez tous les endroits avec fuite.
9. Rebranchez le réfrigérateur à l'alimentation électrique.
10. Pour allumer l'appareil à glaçons, abaissez la manche de signal. (Voir la couverture avant de l'appareil à glaçons pour la position ON et OFF de la manche).

IMPORTANT: L'appareil à glaçons prend environ 24 heures pour pouvoir commencer à produire de la glace. La présence d'air dans les nouvelles conduites de plomberie peut causer à la machine de faire deux à trois fois son cycle normal avant de produire un bac rempli de glaces. Une nouvelle plomberie peut causer la décoloration de glaces ou de la glace de mauvais goût. Jetez la glace produite durant les premières 24 heures de fonctionnement de la machine.



3. APERÇU DU PRODUIT

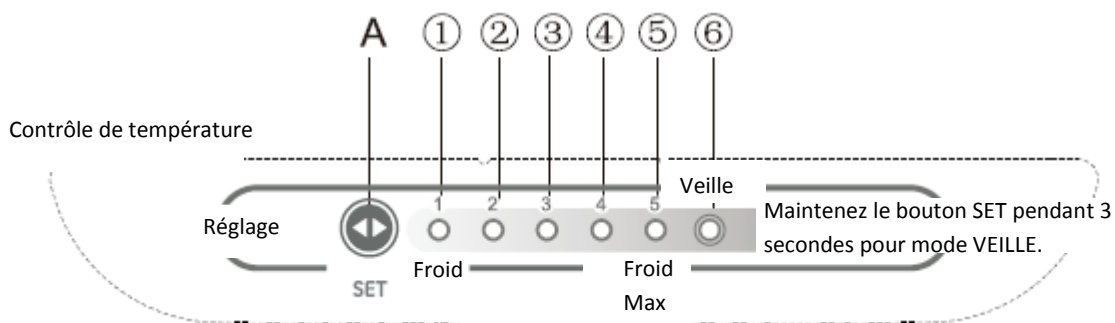


* Toutes les images dans le présent manuel d'instructions sont uniquement pour références. Pour des informations détaillées, veuillez-vous référer à votre appareil.

4. OPERATION

HMI et Touches

Les touches en HMI et le format d'affichage sont montrés sur l'image ci-dessous :



4.1 Touche

A. Touche SET : Touche de réglage de position

4.2 Écran d'affichage

- ① Shift 1
- ② Shift 2
- ③ Shift 3
- ④ Shift 4
- ⑤ Shift 5
- ⑥ Indicateur de veille

4.3 Affichage

- ◆ A la première mise sous tension, les lumières de l'écran d'affichage (y compris la lumière de fond des touches) s'allument pendant 3 secondes ; une fois les 3 secondes passées, vous pouvez opérer les touches.
- ◆ Affichage de fonctionnement normal

En cas d'échec, la lumière LED correspondante affiche le code d'erreur (répétition de l'affichage).

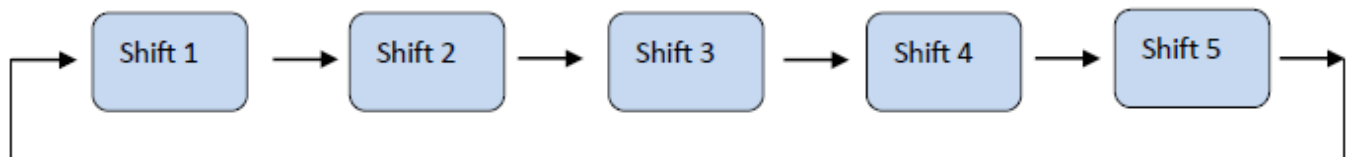
S'il n'y a pas d'échec, le statut de fonctionnement du réfrigérateur s'affichera à l'écran.

4.4 Touche régulateur de position

A chaque fois que la touche A est appuyée, la position change une fois. Une fois le choix de position terminé, le réfrigérateur fonctionnera selon la valeur choisie après 5 secondes.

Lecture: de la gauche vers la droite ; la température est plus basse à droite.

Les règles du SHIFT:



4.5 Fonction de contrôle VEILLE

Pendant que le réfrigérateur fonctionne, appuyez et maintenez le bouton SET pendant 3 secondes (puis relâchez les touches), le réfrigérateur entrera en mode VEILLE, l'indicateur de veille s'allumera, et toutes les opérations stopperont.

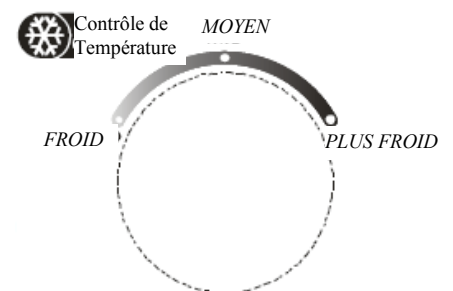
Lorsque le réfrigérateur est en mode VEILLE, appuyez brièvement le bouton SET, le réfrigérateur entrera en mode de fonctionnement normal, l'indicateur de veille sera éteint, et l'appareil retournera sous condition de fonctionnement normal.

4.6 Indication d'erreur

Affichage	Dysfonctionnement
LED1 et LED2 sont allumés.	Défaillance du circuit du capteur de température du réfrigérateur
LED1 et LED3 sont allumés.	Défaillance du capteur de dégivrage du congélateur
LED1 et LED4 sont allumés.	Défaillance du capteur de température ambiante

4.7 Fonctionnement du contrôle de température

1. La configuration initiale du compartiment de produits frais est la position 3 et celle du régulateur d'air du compartiment de congélation est la position du milieu, au MOYEN.
2. Si la température ambiante est inférieure à 10°C pendant une longue période de temps, le panneau de contrôle du compartiment de produits frais doit être positionné à la position 4 ou 5, et le régulateur d'air du compartiment de congélation à la position PLUS FROID.
3. Si la température ambiante est supérieure à 43°C pendant une longue période de temps, le panneau de contrôle du compartiment de produits frais doit être positionné à la position 4 ou 5, et le régulateur d'air du compartiment de congélation doit être placé entre MOYEN et PLUS FROID.



Conseils : Lorsque le régulateur d'air du compartiment de congélation est placé à la position FROID, le compartiment de produits frais se refroidit rapidement. Par contre, si le régulateur d'air est placé à la position FROID pendant une longue période de temps, la température à l'intérieur du compartiment de produits frais peut être réduite jusqu'à moins 0°C.

5. NETTOYAGE

5.1 Dégivrage

Dégivrage automatique pour réfrigérateur sans gelée

5.2 Nettoyer l'intérieur et l'extérieur de l'appareil

- ◆ Retirez toutes les étagères et la corbeille à salades. Pour retirer la corbeille à salades, enlevez d'abord l'étagère inférieure de la porte.
- ◆ Essuyez l'intérieur de l'unité avec une solution à faible quantité de bicarbonate de sodium, puis rincez avec de l'eau tiède en utilisant une éponge ou un tissu essoré(e). Essuyez complètement jusqu'à sécher avant de remettre les étagères et la corbeille à salades dans l'appareil.
- ◆ Utilisez un chiffon humide pour nettoyer l'extérieur, puis essuyez avec du polish pour meubles. Assurez-vous que la porte soit bien fermée pour éviter le polish d'atteindre les joints magnétiques de la porte et l'intérieur de l'appareil.

5.3 Conseils de nettoyage

Une condensation pourrait se former à l'extérieur de l'unité. Ceci peut être le résultat de changement de température. Essayez l'humidité. Si le problème subsiste, contactez un technicien agréé pour assistance.

6. ENTRETIEN

6.1 Changer l'ampoule intérieure

Mettre le contrô le duréfrigérateur au OFF ne débranche pas l'appareil de la source d'alimentation électrique.



ATENTION: L'ampoule est peut être chaude.

Pour remplacer l'ampoule LED:

- 1). Débranchez le réfrigérateur.
- 2). L'ampoule est située dans la partie supérieure de l'armoire du réfrigérateur.
- 3). À l'aide d'un tournevis, retirez la vis qui fi xe le cache de la lampe, puis retirez le cache de la lampe.
- 4). Remplacez la LED par une nouvelle LED, puissance d'entrée nominale: 115V AC 3,5 W.
- 5). Replacez le couvercle de la lampe.
- 6). Rebranchez le réfrigérateur et reprenez un fonctionnement normal.

6.2 Faites attention en entretenant ou en déplaçant votre appareil

Lorsque vous déplacez l'appareil, tenez-le par les côtés ou la base. L'appareil ne doit en aucun cas être soulevé par les bordures de la surface supérieure.

Le condenseur se trouve sous le réfrigérateur; faites preuve de prudence, gardez la partie inférieure du réfrigérateur sèche pendant l'utilisation, l'entretien ou le déplacement de l'appareil.

Avant de déplacer le réfrigérateur, veuillez vérifier la surface du sol, le sol doit être plat.

6.3 Service

Vous devez faire appel à un ingénieur qualifié pour les services de l'appareil. Seules les pièces d'origine peuvent être utilisées sur l'appareil. Vous ne devez sous aucun prétexte essayer de réparer l'appareil par vous-même. Les réparations effectuées par des personnes non-qualifiées peuvent entraîner des blessures graves ou causer des défaillances à l'appareil. Contactez un technicien agréé pour tous services.

6.4 Extension de l'appareil pendant une longue période de temps

Lorsque l'appareil n'est pas utilisé pendant une longue période de temps, débranchez-le de la source d'alimentation électrique. Retirez tous les produits à l'intérieur de l'appareil, puis nettoyez. Laissez la porte ouverte pour éviter les odeurs désagréables.

7. Dépannage

Les problèmes ci-dessous peuvent être résolus par l'utilisateur. Si le problème rencontré subsiste, appelez le service après-vente.

Non-fonctionnement	Vérifiez si le congélateur est branché à la source d'alimentation électrique. Faible voltage. Panne de courant ou coupe-circuit.
Odeur	Les aliments odorants doivent être bien emballés. Vérifiez si les aliments sont pourris. L'intérieur de l'appareil a besoin d'être nettoyé.
Opération à long terme du compresseur	Il est normal que le réfrigérateur fonctionne pendant une longue période de temps en été lorsque la température est plus élevée. Ne stockez pas trop d'aliments à la fois dans le congélateur. Laissez les aliments refroidir avant de mettre dans l'appareil. La porte s'ouvre trop fréquemment.
L'ampoule intérieure ne s'allume pas.	Vérifiez si le réfrigérateur est branché à la source électrique ; vérifiez si l'ampoule est abîmée.
La porte du réfrigérateur ne se ferme pas correctement.	La porte du congélateur est bloquée par les paquets d'aliments. Il y a trop de produits dans le réfrigérateur. Le réfrigérateur est incliné.
Bruits forts	Vérifiez si les produits sont placés à plat, si le réfrigérateur est stable, et si les pièces du réfrigérateur sont installées et placées correctement.

7.1 Conseils

- ◆ L'enceinte du réfrigérateur pourrait, pendant le fonctionnement du réfrigérateur, émettre de la chaleur, notamment en été, en raison du rayonnement thermique du condenseur. Ceci est un phénomène normal.
- ◆ Condensation : La condensation peut apparaître sur la surface extérieure et aux joints de la porte du congélateur lorsque l'humidité ambiante est élevée. Ceci est un phénomène normal. La condensation peut être essuyée avec une serviette sèche.
- ◆ Bourdonnement: L'appareil sort un bourdonnement (bruit) généré par le fonctionnement du compresseur, notamment au démarrage et à l'arrêt du compresseur.

Pour plus d'informations, contactez votre autorité locale ou le revendeur où vous avez acheté le produit.

GARANTIE

GARANTIE DU RÉFRIGÉRATEUR

Votre réfrigérateur est protégé par la présente garantie.

	PÉRIODE DE GARANTIE	NOS TECHNICIENS AUTORISÉS, NOS RESPONSABILITÉS :	LES RESPONSABILITÉS DU CONSOMMATEUR :
UN AN DE GARANTIE	Un an à partir de la date d'achat originale	Nous payerons tous les coûts de réparation ou remplacement de pièces de l'appareil si le problème se révèle être un défaut des matériaux d'origine ou de main-d'œuvre ou de fabrication. Le remplacement de cartouches de filtre de glace et d'eau d'origine et de rechange (si équipé) n'est pas inclus. Les cartouches d'origine et de rechange sont garanties pendant 30 jours (uniquement les pièces).	Coûts des appels de service listés sous LES RESPONSABILITÉS NORMALES DU CONSOMMATEUR.*

□ Aux États-Unis, votre appareil est garanti par The Crosley Group. Nous n'autorisons personne à ajouter ou modifier le contenu de la garantie. Nos obligations sur les services et les pièces en vertu de cette garantie doit être effectuées par un agent de service agréé de Crosley Corporation. Au Canada, votre appareil est garanti par Crosley Canada Corp.

***LES RESPONSABILITÉS NORMALES DU CONSOMMATEUR**

Cette garantie s'applique uniquement aux produits pour usage ménager habituel. Le consommateur est responsable des suivants :

- 1 Utilisation appropriée de l'appareil en conformité avec les instructions fournies avec le produit
- 2 Installation appropriée par un service agréé en conformité avec les instructions fournies avec le produit et les codes de plomberie, électrique, et/ou de gaz locaux
- 3 Connexion à une installation électrique appropriée avec une tension suffisante et correctement mise à la terre, remplacement des fusibles grillés, réparation des mauvaises connexions ou des défaillances du câblage domestique à la maison
- 4 Dépenses reliées à la réalisation des services pour l'appareil, comme remplacement de garniture, placards, étagères, etc., pièces qui ne font pas partie de l'appareil à la sortie d'usine
- 5 Dommages apparus après installation
- 6 Remplacement des ampoules et/ou des tubes fluorescents (pour les modèles ayant ces caractéristiques)

EXCLUSIONS

Cette garantie ne couvre pas les suivants:

- 1 **DOMMAGES CONSÉCUTIFS OU ACCIDENTELS TELS QUE DOMMAGES MATÉRIELS ET DÉPENSES IMPRÉVUES RÉSULTANT DE LA VIOLATION DE LA GARANTIE ÉCRITE OU AUTRES GARANTIES IMPLICITES**
NOTE: Certains États n'autorisent pas l'exclusion ni la restriction des dommages consécutifs ou accidentels, par conséquent, les restrictions ou exclusions précédentes peuvent ne pas s'appliquer à vous.
- 2 Les appels n'impliquant pas la défaillance ou les défauts de matériaux ou de main-d'œuvre, or pour les électroménagers non-déstinés à l'usage ménager. Le consommateur doit payer les appels reliés à tels services.
- 3 Les dommages causés par des opérations effectuées par des serviceurs autres que Crosley Corporation, Crosley Canada Corp, ou les agents de service agréés ; les dommages causés par l'utilisation de pièces autre que des pièces d'origine de Crosley et obtenues des personnes autres que les serviceurs agréés ; les dommages externes ; les dommages dû à mauvais traitement, une mauvaise utilisation, une alimentation électrique inappropriée ou une force majeure.
- 4 Les produits avec étiquette de numéro de série arraché ou modifié et ne pouvant pas être aisément déterminé ou lu.

SI VOUS AVEZ BESOIN D'UN SERVICE

Gardez votre facture, bon de livraison, ou autres preuves de paiement applicables. En cas de besoin de service, la date de facture détermine la période de garantie. Si un service est fourni, il est dans votre intérêt d'obtenir et de garder tous les reçus ou justificatifs. Cette garantie écrite vous accorde des droits juridiques spécifiques et vous pouvez aussi avoir d'autres droits qui peuvent varier d'une juridiction à l'autre. Pour les services reliés à cette garantie, vous devez contacter Crosley Corporation ou Crosley Canada Corp.

Cette garantie s'applique uniquement dans les 50 États des États-Unis, au Porto Rico, et au Canada. Les caractéristiques ou spécifications du produit décrites ou illustrées dans le manuel peuvent être modifiées sans préavis. Toutes les garanties sont faites par Crosley. Au Canada, votre appareil est garanti par Crosley Canada Corp.

Rev. 01/2013

INFORMATION SUR LA GARANTIE

CONTACT :
844-CROSLEY (844-276-7539)
 CrosleyCare Service
 3 Sperry Rd.
 Fairfield, NJ 07004

INFORMATION SUR LA GARANTIE

CONTACT AU CANADA :
800-461-7700
 CrosleyCare Canada
 99 Bruce Crescent
 Carleton Place, ON K7C 3T3, Canada

INFORMATION SUR LE PRODUIT

CONTACT :
800-356-5268
 Crosley
 St Louis, MO
 63126
www.crosley.com

www.conservatorappliances.com

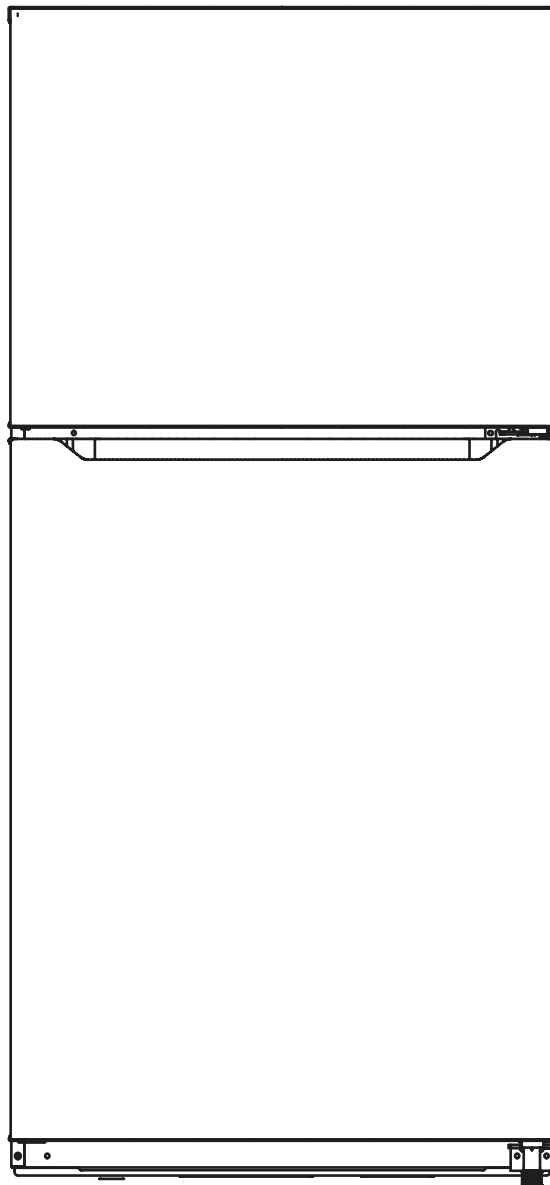
Clause de non-responsabilité: Le design et les spécifications peuvent être modifiés sans préavis sur l'amélioration du produit.

EL MANUAL DE INSTALACIÓN Y OPERACIÓN

CONSERVATOR

Réfrigérateur-Congélateur

- **GRM183UW**
- **GRM183UB**
- **GRM183UD**
- **GRMH183UW**
- **GRMH183UB**
- **GRMH183UD**



CONTENIDO

1.	ADVERTENCIAS DE SEGURIDAD.....	1
2.	INSTALACIÓN.....	2
2.1	Ubicación.....	2
2.2	La inversión de la oscilación de la puerta (opcional).....	3
2.3	Requisitos de Espacio en la Puerta	6
2.4	La Nivelación del Aparato	6
2.5	Limpieza Antes de Uso	6
2.6	Antes de usar el congelador	7
2.7	Accesorios Interiores	7
2.8	Instalación de Máquina de Hielo	7
2.9	Conexión de la fábrica de hielo para suministro de agua.....	12
3.	DESCRIPCIÓN DEL PRODUCTO	14
4.	OPERACIÓN	14
4.1	llave	14
4.2	Pantalla de visualización.....	14
4.3	Visualización.....	15
4.4	El ajuste del cambio.....	15
4.5	Función de control de espera	15
4.6	La indicación de culpa.....	15
4.7	Operación Control de Temperatura.....	15
5.	Limpieza	16
5.1	La descongelación	16
5.2	Limpieza del interior y el exterior del congelador.....	16
5.3	Consejos de limpieza	16
6.	MANTENIMIENTO	16
6.1	Cambio de la Luz Interna.....	16
6.2	Cuidado al manipular / mover su congelador	16
6.3	Mantenimiento	16
6.4	Apagado durante los períodos largos de tiempo	16
7.	Solución de Problemas	17
7.1	Los consejos:	17

1. ADVERTENCIAS DE SEGURIDAD



Precaución: riesgo de incendio

- 1) **Advertencia** - No utilice dispositivos mecánicos u otros medios para acelerar el proceso de descongelación, que no sean los recomendados por el fabricante.
- 2) **Advertencia** - No dañe el circuito de frío.
- 3) **Advertencia** - No utilice aparatos eléctricos dentro de los compartimentos de almacenamiento de alimentos del aparato, a menos que sean del tipo recomendado por el fabricante.
- 4) **Advertencia** - Peligro: Riesgo de atrapamiento de niños. Antes de deshacerse de su viejo refrigerador o congelador:
 - Quite las puertas.
 - Deje los estantes en su lugar para que los niños no puedan entrar fácilmente en el interior.
- 5) El aparato tiene que ser desconectado después de su uso y antes de llevar a cabo el mantenimiento de usuario en el aparato.
- 6) Este aparato puede ser utilizado por los niños de más de 8 años si bajo la supervisión de un adulto o si se les ha dado instrucciones sobre el uso del aparato de una manera segura y entienden los riesgos involucrados. Los niños no deben jugar con el aparato. La limpieza y el mantenimiento del usuario no se deben hacer por los niños . El uso inadecuado puede causar lesiones personales o la muerte.
- 7) Si el cable de alimentación está dañado, debe ser reemplazado por el fabricante, el agente de servicio o por el personal cualificado con el fin de evitar situaciones de peligro.
- 8) Elimine el aparato de acuerdo con las normativas locales. Antes de desechar el aparato, por favor, quitar las puertas para evitar que los niños queden atrapados.
- 9) Este aparato está destinado a ser utilizado en hogares y aplicaciones similares, como:
 - Áreas de cocina personal en tiendas, oficinas y otros ambientes de trabajo;
 - Casas rurales y por los clientes en hoteles, moteles y otros ambientes residenciales;
 - Entornos de cama y desayuno;
 - Restauración y aplicaciones no comerciales similares.
- 10) No utilice un cable de extensión con este aparato. Si el cable de alimentación es demasiado corto, haga que un electricista o técnico de servicio calificado instale un tomacorriente cerca del aparato. El uso de un cable de extensión puede afectar negativamente al rendimiento de la aparato.



ES PELIGROSO PARA CUALQUIER PERSONA QUE NO SEA PERSONAL DE SERVICIO AUTORIZADO DE LLEVAR A CABO EL SERVICIO DE REPARACIONES QUE IMPLICAN LA ELIMINACIÓN DE CUBIERTAS.



PARA EVITAR EL RIESGO DE UN CHOQUE ELÉCTRICO, NO INTENTE REPARAR EL CONGELADOR USTED MISMO.

2. INSTALACIÓN

2.1 Ubicación

Al seleccionar una posición para su aparato, usted debe asegurarse de que el suelo es plano y firme, y la habitación esté bien ventilada. No coloque la aparato cerca de una fuente de calor, por ejemplo, cocina, caldera o radiador. También evite la luz solar directa, ya que puede aumentar el consumo eléctrico. Temperaturas ambiente extremas de frío también pueden hacer que la aparato no funcione correctamente. Esta aparato no está diseñada para su uso en un garaje o instalación al aire libre.

2.2 Invertir la Apertura de la Puerta

Invertir la posición de la puerta

Piezas incluidas en el kit de bisagras



Bisagra central izquierda



Cubierta de bisagra superior izquierda



Bisagra superior izquierda



Bloque de auto-bloqueo de puerta superior



Tope izquierdo de apertura de puerta



Pasadores de tapón (2)



Bisagra central derecha



Cubierta de bisagra superior derecha



Bisagra superior derecha



Bloque de auto-bloqueo de puerta superior



Tope derecho de apertura de puerta

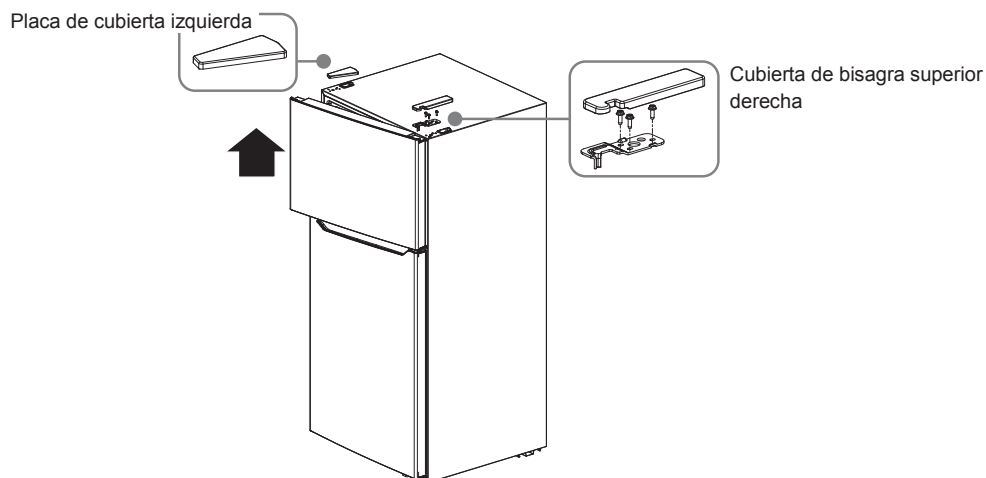


Bloque de puerta

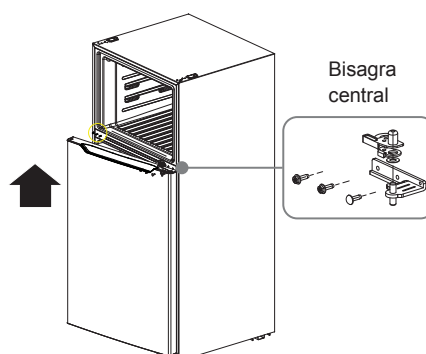


Bisagra inferior

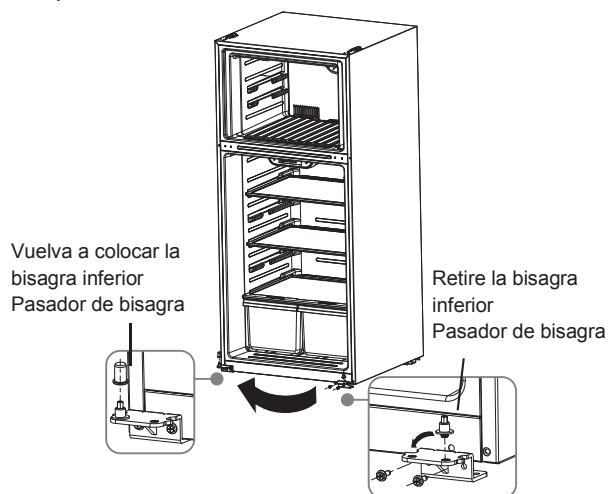
1. Desenchufe el refrigerador y retire todos los alimentos de los estantes de la puerta.
2. Retire la placa de cubierta izquierda y la cubierta de bisagra superior derecha, a continuación, desenrosque y quite la bisagra superior derecha. Guarde los tornillos para la reutilización.



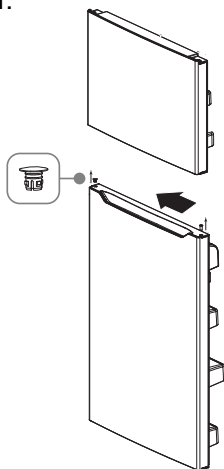
3. Levante la puerta del congelador hacia arriba y quítela de su refrigerador.
4. Afloje los tres tornillos que sujetan la bisagra central, retire la bisagra y levante la puerta del refrigerador y quítela de su refrigerador. Guarde los tornillos para la reutilización.



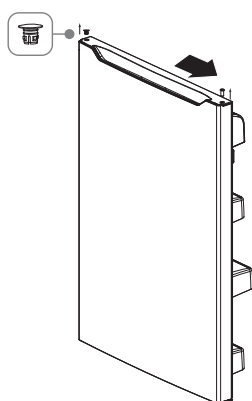
- Afloje los dos tornillos que sujetan la bisagra inferior, a continuación, quite la bisagra inferior de la parte inferior derecha del refrigerador.
- Afloje el perno de la bisagra del lado derecho de la bisagra inferior y muévelo hacia el lado izquierdo, a continuación, fije la bisagra inferior en el lado inferior izquierdo del refrigerador, utilizando los tornillos que se eliminan previamente.



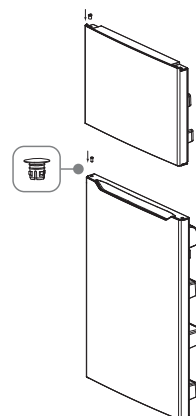
- Retire el buje de plástico de la parte superior derecha de las puertas del congelador y refrigerador.



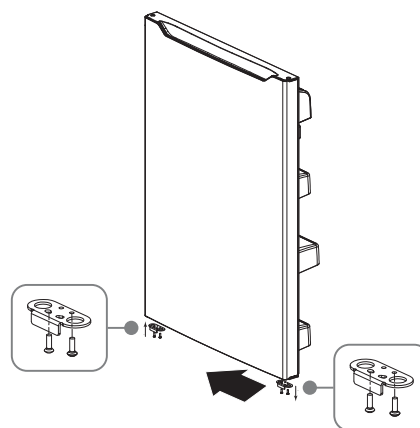
- Retire la tapa del orificio de la parte superior izquierda de la puerta del refrigerador y insértela en el otro lado.



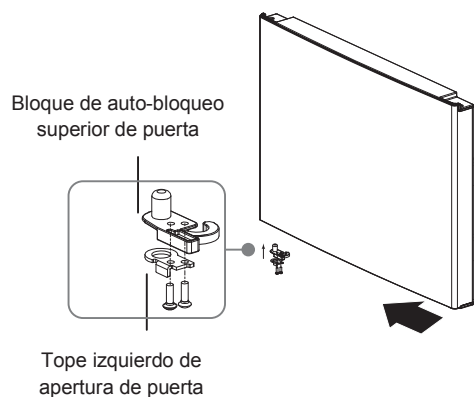
- Inserte el buje de plástico en los lados izquierdos de las puertas del congelador y refrigerador.



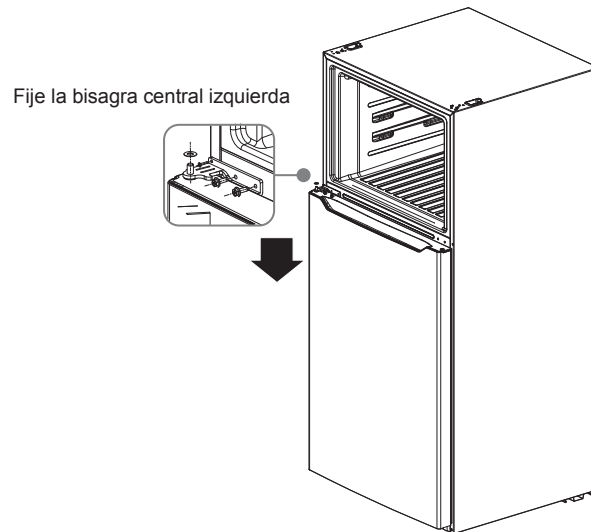
- Retire el bloque de la puerta de la parte inferior, lado derecho de la puerta y adjúntelo al otro lado.



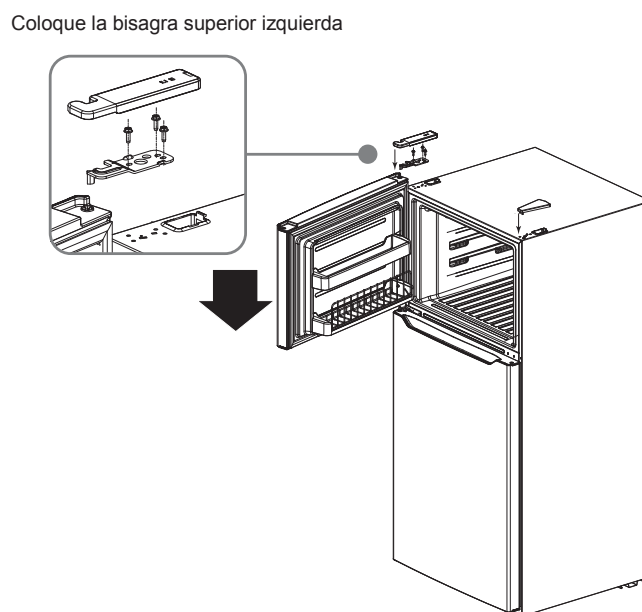
- Adjunte el bloque de auto-bloqueo superior izquierdo de puerta y el tope izquierdo de apertura de puerta al lado izquierdo de la puerta del congelador.



12. Retire el bloque de auto-bloqueo superior derecho de puerta y el tope derecho de apertura de puerta. Guárdelos en un lugar seguro en caso de que necesite invertir la posición de la puerta otra vez.
13. Retire las dos tapas de agujero desde el lado izquierdo, por donde la bisagra central pasará, e insértelos en el otro lado.
14. Coloque la puerta del refrigerador en la bisagra inferior, a continuación, conecte la bisagra central izquierda en el lado izquierdo del refrigerador.



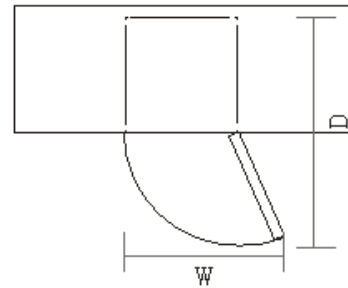
15. Coloque la puerta del congelador en la bisagra central izquierda, luego coloque la bisagra superior izquierda a la parte superior del refrigerador. Cubra la bisagra con la cubierta de la bisagra superior izquierda y cubra los agujeros de los tornillos en el lado derecho de la parte superior con la placa de cubierta extraída con anterioridad.



2.3 Requisitos de Espacio en la Puerta

La puerta del aparato debe ser capaz de abrirse completamente como se muestra.

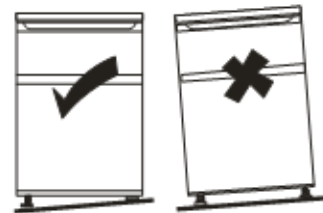
$W \times D \geq 50.8 \text{ inch} \times 58.5 \text{ inch}$



2.4 La Nivelación del Aparato

Si el aparato no está nivelado, las puertas y alineaciones de sello magnético no serán cubiertas adecuadamente.

Para ajustar el nivel del aparato, gire las patas niveladoras hacia la derecha para aflojar y levantar el aparato y hacia la izquierda para apretar y baje el aparato.



2.5 Limpieza Antes de Uso

Limpie el interior del congelador con una solución débil de la soda bicarbonato. Luego enjuague con agua tibia con una esponja o un paño. Lave los estantes y la bandeja de ensalada en agua tibia y jabón y sequelas completamente antes de su sustitución en el congelador. Limpie el exterior del congelador con un paño húmedo. Si necesita más información consulte la sección de limpieza.

2.6 Antes de usar el congelador

El congelador utiliza la energía de 115V / 60Hz AC. Las fluctuaciones de tensión más del rango de 98 ~ 132V causará mal funcionamiento o incluso daños.

No dañe el cable de alimentación en cualquiera condición para garantizar un uso seguro, no lo utilice cuando el cable de alimentación está dañado o el enchufe está desgastado.

No coloque objetos inflamables, explosivos, volátiles y altamente corrosivos en el congelador para evitar daños en el producto o un incendio accidental.

No coloque objetos inflamables cerca del congelador para evitar incendios accidentales.

Este producto es un congelador doméstico y sólo se debe utilizar para el almacenamiento de alimentos y bebidas. De acuerdo a las normas nacionales, congeladores domésticos no deben ser utilizados para otros fines, tales como el almacenamiento de sangre, drogas o productos biológicos.

No coloque recipientes embotellados o sellados de fluidos tales como cervezas y bebidas embotelladas en el congelador para evitar explosiones y otras pérdidas.

Antes de colocar cualquier alimento en su congelador, encienda el congelador durante 24 horas para asegurarse de que funciona correctamente y para permitir que el congelador tenga el tiempo para alcanzar la temperatura correcta. Su congelador no debe ser demasiado lleno. No almacene ni coloque hielo seco en el refrigerador.



Antes de enchufar:

Usted debe comprobar que tiene un enchufe que sea compatible con el enchufe suministrado con el congelador.

Antes de encender:

No encienda el congelador durante dos horas después de mover el congelador.

2.7 Accesorios Interiores

Varios estantes de vidrio o plástico se incluyen con el aparato - diferentes modelos tienen diferentes combinaciones.

Siempre debe deslizar uno de los estantes de vidrio de tamaño completo en el conjunto más bajo de guías, por encima de los contenedores de frutas y verduras, y manténgalo en esta posición. Para ello, tire el estante hacia adelante hasta que se puede girar hacia arriba o hacia abajo y se retira.

Por favor, haga lo mismo a la inversa para insertar la plataforma a una altura diferente.



Con el fin de hacer un uso completo del volumen del compartimiento de almacenamiento de alimentos frescos y el compartimiento de almacenamiento de alimentos congelados, el usuario puede eliminar uno o más estantes o cajones del aparato, de acuerdo con su uso diario.

2.8 Instalación de Máquina de Hielo

El congelador tiene la máquina de hielo lista y se puede instalar si decide hacerlo.

Por favor, consulte con su local Crosley Dealer para información sobre la compra y la instalación de una máquina de hielo.

Retire la tapa protectora antes de conectar el cable de la máquina de hielo en la caja.

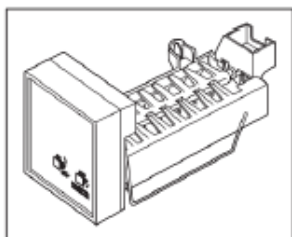
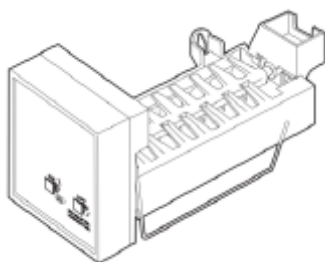
Herramientas Necesarias:

- la línea de 1/4 pulgadas de suministro de cobre con válvula de cierre
- la tuerca de latón de compresión de 1/4 pulgadas y la férula
- Si su modelo no tiene un estante del congelador, póngase en contacto con su distribuidor para pedir uno.

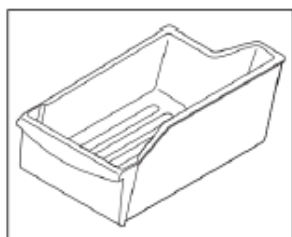
La tubería de cobre y la válvula de cierre están disponibles en un kit de su tienda de suministros de hardware o de plomería local. Bobina suficiente tubería en la parte trasera del congelador para permitir el movimiento para la limpieza.



Desenchufe el congelador. Para eliminar el peligro de descargas eléctricas durante la instalación, debe desconectar el congelador de la toma eléctrica.



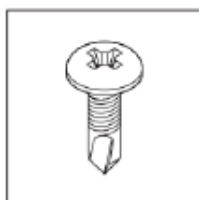
1, La máquina de hielo



2, El recipiente de hielo



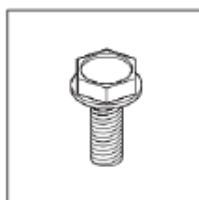
3, El tubo de plástico de suministro de agua



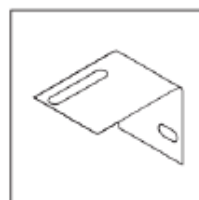
4, Tornillos- Cantidad 2



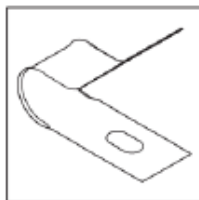
5, Tornillos- Cantidad 2



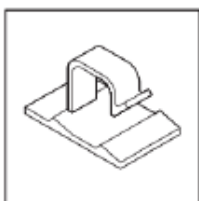
6, El tornillo del soporte de nivelación -Cantidad 1



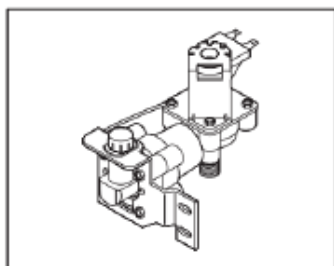
7, El soporte de nivelación- Cantidad 1



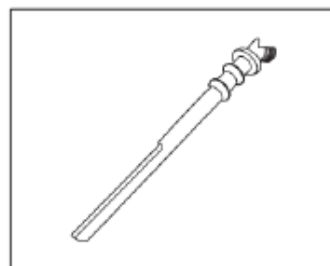
8, La abrazadera de acero - Cantidad 1



9, La abrazadera plástica - Cantidad 2



10, La válvula de agua - Cantidad 1



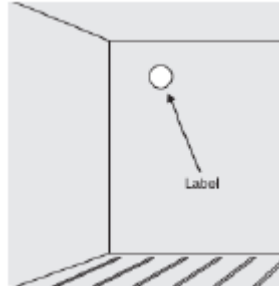
11, el tubo de entrada de agua - Cantidad 1

Herramientas Necesarias:

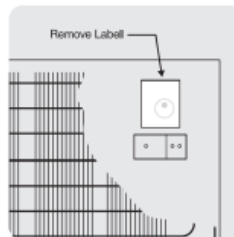
- Espátula
- Alicates

- Llave de tubo de 1/4 pulgadas
- Llave ajustable
- Alicates de punta fina o conductor de tuerca
- Cuchillo

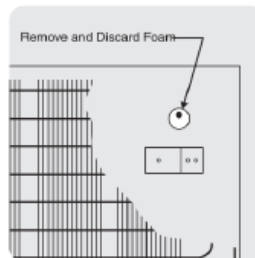
- 1) Desenchufe el congelador del tomacorriente.
- 2) Retire el estante bandeja de hielo del congelador.
- 3) Mueva el estante del congelador a la siguiente partición.
- 4) Retire los tapones en el interior de congelador con espátula.



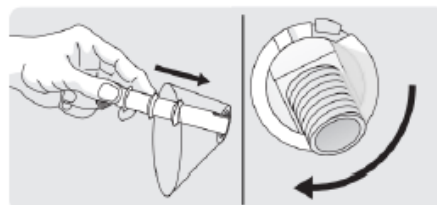
- 5) Despegue la cubierta de la etiqueta del agujero de la máquina de hielo.



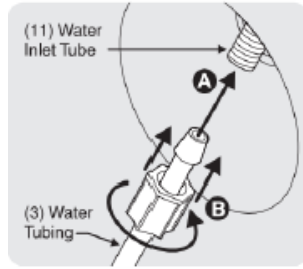
- 6) Con unos alicates de punta fina, retire la espuma del agujero.



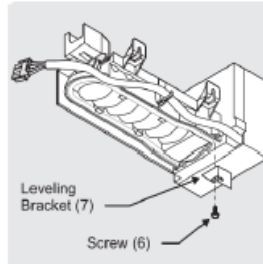
- 7) Empuje el tubo de entrada de agua en el pequeño orificio en la parte posterior del refrigerador. Gire el tubo mientras se inserta el tubo hasta que la superficie plana del tubo es apretado contra la espalda del congelador.



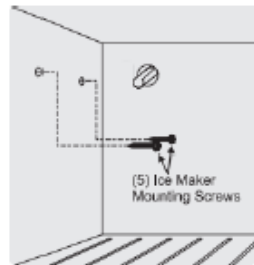
- 8) Empuje el tubo de plástico de suministro de agua(3) en el tubo de entrada de agua(11) hasta el tope y el dedo apriete la tuerca de compresión de nylon en al extremo roscado del tubo de entrada. Apriete otra media con una llave. NO apriete demasiado.



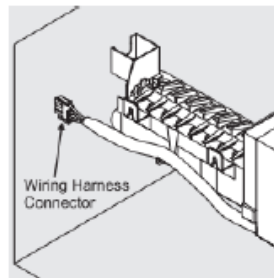
- 9) Instale el soporte de nivelación(7) en el fondo de la máquina de hielo con el tornillo del soporte de nivelación(6). NO apriete el soporte. (El soporte se apretará más tarde.)



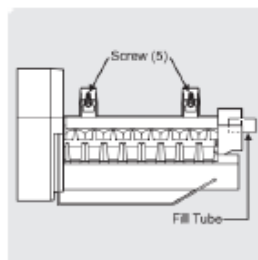
- 10) Instale dos tornillos largos de montaje de la máquina de hielo (5) en la pared del congelador. Gire cada tornillo a la derecha cinco vueltas.



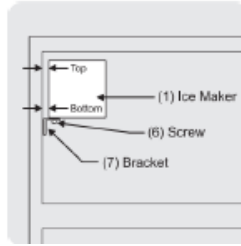
- 11) Con la máquina de hielo en una mano, enchufe el conector de la máquina de hielo en el conector montado en el panel superior del congelador. Asegúrese de que la conexión es firme.



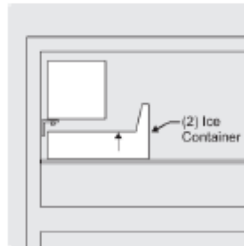
- 12) Monte la máquina de hielo a los dos tornillos (5) que instaló en el Paso 10. Apriete los tornillos. Asegúrese de que el tubo de entrada de agua (11) se sienta dentro de llenar la taza.



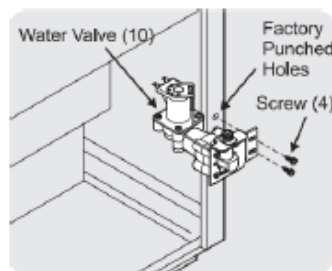
- 13) Ajuste el soporte de nivelación (7) para nivelar la máquina de hielo (1). La máquina de hielo está nivelada cuando la brecha entre la pared del congelador y la máquina de hielo es el mismo en la parte superior e inferior.



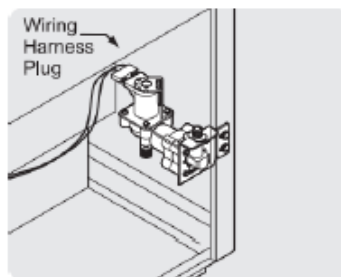
- 14) Vuelva a instalar el estante del congelador en la posición más baja. Establezca el recipiente de hielo (2) en el estante.



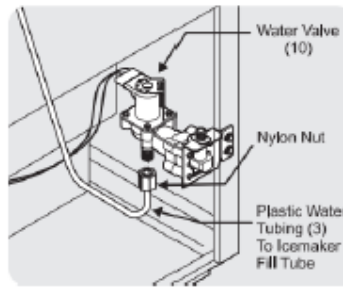
- 15) Busque agujeros perforados de fábrica en la esquina inferior derecha del panel trasero. Los agujeros son perforados solamente a través de revestimiento del gabinete. Alinee el soporte de la válvula de agua con agujeros perforados de fábrica. Use un taladro eléctrico con la cabeza Phillips para conducir los dos tornillos autopercutoros(4) a través del soporte y en el gabinete.



- 16) Conecte el mazo de cables a la válvula de agua. Asegúrese de que la conexión es firme.

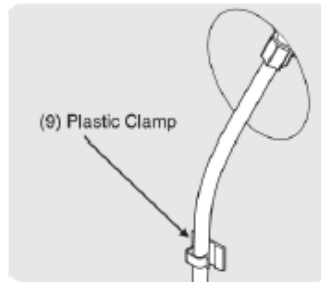


- 17) Empuje el tubo de plástico de suministro de agua en el fondo de la válvula de agua tan lejos como sea posible. Apriete la tuerca de compresión de nylon en el extremo roscado de la válvula de agua. Apriete otra media vuelta con una llave. NO apriete demasiado.



18) Asegure la tubería de agua de plástico a la parte trasera del gabinete con dos abrazaderas de plástico (9).

NOTA: Limpie la parte posterior del gabinete con un detergente doméstico, amoníaco o alcohol antes de aplicar abrazaderas.



2.9 Conexión de la fábrica de hielo para suministro de agua



Desenchufe el congelador. Para eliminar el peligro de descargas eléctricas durante la instalación, debe desconectar el congelador de la toma eléctrica.

IMPORTANTE: Asegúrese de que sus conexiones de la línea de suministro de agua cumplan con todas las normas locales de plomería.

Antes de instalar la tubería de suministro de agua, va a necesitar:

Herramientas básicas: llave ajustable, destornillador de cabeza plana y destornillador de Phillips.

El acceso a una línea de agua fría de la casa con presión de agua entre 20 y 120 presión por pulgada cuadrada.

Una línea de suministro de agua hecha de 1/4 pulgadas (6.4 mm) OD, tubería de cobre. Para determinar la longitud de la tubería de cobre se necesita, usted tendrá que medir la distancia desde la válvula de entrada de la fábrica de hielo en la parte posterior del refrigerador hasta la tubería de agua fría. A continuación, agregue aproximadamente 7 pies (2,1 metros), por lo que el refrigerador se puede mover para su limpieza.

Una válvula de cierre para conectar la tubería de suministro de agua al sistema de agua en los hogares. NO use una válvula de cierre de tipo autoperforante.

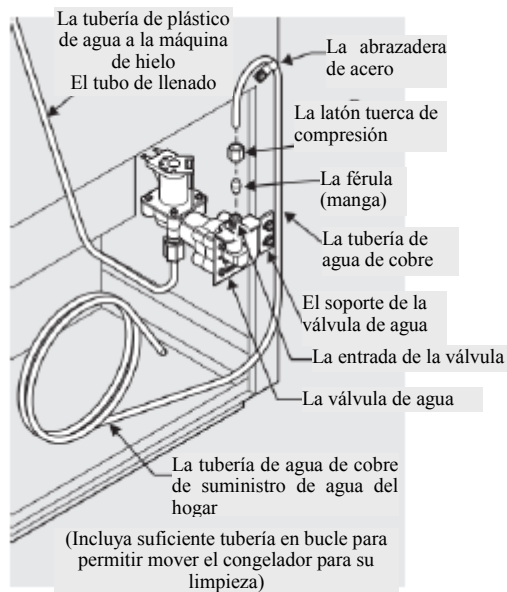
Una tuerca de compresión y la férula (manga) para conectar la tubería de suministro de agua a la válvula de entrada de la máquina de hielo.

Para conectar la tubería de suministro de agua a la válvula de entrada de la máquina de hielo:

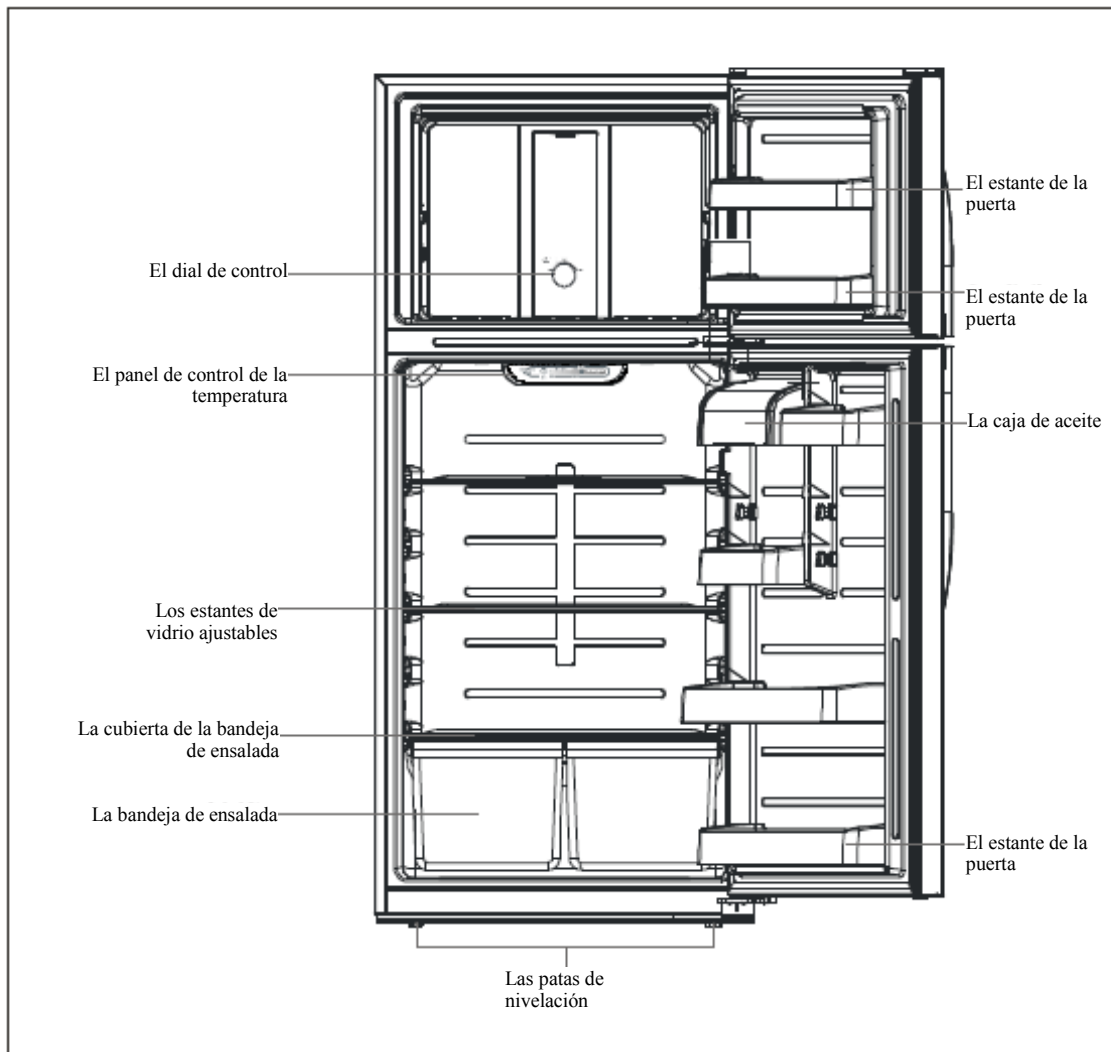
1. Desconecte el congelador de la fuente de alimentación eléctrica.
2. Coloque el extremo de la tubería de suministro de agua en el fregadero o el cubo. Encienda el suministro de agua hasta que el agua es claro. Apague el suministro de agua en la válvula de cierre.
3. Desenrosque la tapa de plástico de la entrada de la válvula de agua y la tapa de descartes.

4. Deslice la tuerca de compresión de latón, luego la férula (manga), a la línea de suministro de agua, como se muestra.
5. Empuje la tubería de suministro de agua en la entrada de la válvula de agua en la medida de lo que pueda (1/4 pulgadas). Deslice la férula (manguito) en la entrada de la válvula, y apriete la tuerca de compresión en la válvula. Apriete otra media vuelta con una llave; NO apriete demasiado.
6. Con la abrazadera de acero y tornillos, asegurar la línea de suministro de agua a la parte trasera del congelador en la ubicación como se muestra.
7. Enrolle el exceso de tubería de suministro de agua (aproximadamente 2-1 / 2 vueltas) detrás del congelador como se muestra y arregle las bobinas de modo que no vibre ni roce contra ninguna otra superficie.
8. Encienda el suministro de agua en la válvula de cierre y apriete cualquier conexión que tenga pérdidas.
9. Vuelva a conectar el congelador a la fuente de alimentación eléctrica.
10. Para encender la máquina de hielo, baje el brazo de alambre.

IMPORTANTE: Se tarda aproximadamente 24 horas para que la máquina de hielo para comenzar a producir hielo. Aire en las tuberías nuevas puede hacer que la máquina de hielo funcione de dos o tres ciclos antes de hacer una bandeja llena de hielo. Nueva plomería puede causar hielo de decolorarse o tener mala sabor. Deseche el hielo hecho durante las primeras 24 horas.



3. DESCRIPCIÓN DEL PRODUCTO

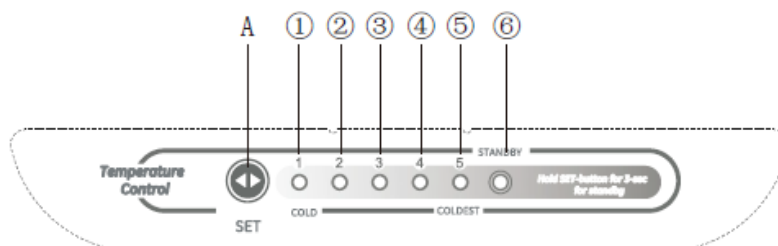


* Todas las imágenes de este manual de instrucciones son únicamente para la indicación; consulte su unidad individual para detalles.

4. OPERACIÓN

HMI y la operación de llaves

Las llaves de HMI y el diseño de visualización se denominan en la figura siguiente:



4.1 llave

A. Ajuste posición la llave de Ajuste

4.2 Pantalla de visualización

- ① Cambio 1
- ② Cambio 2
- ③ Cambio 3
- ④ Cambio 4
- ⑤ Cambio 5
- ⑥ Indicador de espera

4.3 Visualización

- ◆ Una vez que enciende por primera vez, la pantalla de visualización está en la exhibición completa durante 3 segundos, y luego funciona como el cambio medio que se muestra.
- ◆ La visualización de funcionamiento normal

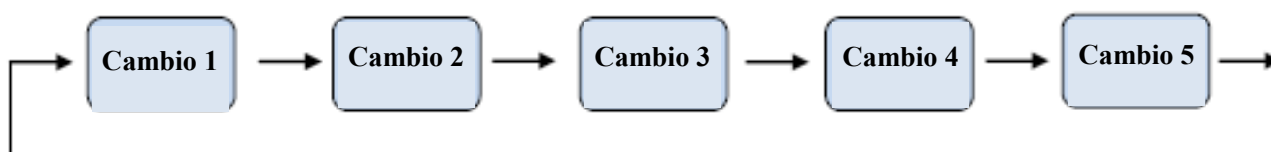
En caso de un fallo, el luz de LED apropiado se muestra en la combinación del código de fallo (en la pantalla de reciclaje);

En caso de no fallo, la posición de funcionamiento real del congelador estará en visualización.

4.4 El ajuste del cambio

Cada vez que la clave A de ajuste de cambio se presiona una vez, la posición de cambio cambia una vez. Tras el ajuste del cambio se ha completado, el congelador funcionará de acuerdo con el valor establecido después de 5 segundos. De izquierda a derecha, la temperatura es más baja.

La regulación de cambio es:



4.5 Función de control de espera

Para establecer el congelador al modo de espera, mantenga pulsado el botón SET durante al menos 3 segundos.

Para quitar el congelador desde el modo de espera, pulse el botón SET y suéltelo.

4.6 La indicación de culpa

visualización	Mal Funcionamiento
El LED1 y LED2 encendidos	el circuito de sensor de temperatura del congelador
El LED1 y LED3 encendidos	el sensor de descongelación del congelador
El LED1 y LED4 encendidos	el sensor de temperatura de ambiente

4.7 Operación Control de Temperatura

1, El ajuste inicial del panel de control del compartimento fresco es turno 3. Para el obturador de aire del compartimento de congelación, el ajuste inicial es la posición de Mid.

2, Si la temperatura ambiente es inferior a 50 ° F durante un tiempo prolongado, el panel de control del compartimento fresco debe ser colocado en posición 4 o 5. El obturador de aire del compartimento de congelación debe ser colocado en la posición COLDER.

3, Si la temperatura ambiente es superior a 109 ° F durante un tiempo prolongado, el panel de control del compartimento fresco debe ser colocado en posición 4 o 5. El obturador de aire del compartimento de congelación debe ser colocado en la posición Mid~COLDER.

Consejos: Cuando el obturador de aire del compartimento de congelación es colocado en la posición COLDER, el compartimento de fresco puede ser enfriado rápidamente.. Sin embargo, si se coloca en la posición COLDER por un tiempo prolongado, la temperatura dentro del compartimento de fresco se puede reducir hasta por debajo de 32 °F.

5. Limpieza

5.1 La descongelación

Auto-descongelación para el Congelador sin escarcha

5.2 Limpieza del interior y el exterior del congelador

- ◆ Retire todos los estantes y la bandeja de ensalada. Para retirar la bandeja de ensalada, primero retire el estante de la puerta inferior.
- ◆ Limpie el interior del congelador con una solución débil de la soda bicarbonato. Luego enjuague con agua tibia con una esponja o un paño. Limpie completamente seca antes de reemplazar el estantes y la bandeja de ensalada.
- ◆ Utilice un paño húmedo para limpiar el exterior, y luego límpielo con un pulimento de los muebles estándar. Asegúrese de que la puerta está cerrada para evitar que el esmalte de conseguir en el sello de la puerta magnética o en el interior del congelador.

5.3 Consejos de limpieza

La condensación puede aparecer en el exterior del congelador. Esto puede ser debido a un cambio en la temperatura ambiente. Limpie cualquier residuo de humedad. Si el problema persiste, póngase en contacto con un técnico calificado para obtener ayuda.

6. MANTENIMIENTO

6.1 Cambio de la Luz Interna



Ajuste el control del refrigerador en “OFF”, no quita energía al circuito de la luz..

PRECAUCIÓN: La bombilla puede estar caliente.

Para reemplazar la bombilla LED:

- 1). Desenchufe el refrigerador.
- 2). La bombilla se encuentra en la parte superior del gabinete del refrigerador.
- 3). Con un destornillador, retire el tornillo que fija la cubierta de la luz, luego retire la cubierta de la luz.
- 4). Reemplace el LED con un nuevo LED, clasificación de entrada: 115V AC 3.5 W.
- 5). Vuelva a colocar la cubierta de la luz.
- 6). Vuelva a enchufar el refrigerador y reanude el funcionamiento normal.

6.2 Cuidado al manipular / mover su congelador

Mantenga el congelador en torno a los lados o en la base cuando lo mueva. De ninguna manera debe ser levantado por la celebración de los bordes de la superficie superior.

El condensador está situado en el fondo del congelador. Tenga cuidado de mantener el fondo seco durante el proceso de manipulación.

Asegúrese de que los pies de nivelación están asegurados antes de retirarse.

6.3 Mantenimiento

El congelador debe ser reparado por un técnico autorizado y sólo piezas de repuesto originales se debe utilizar. De ninguna manera debe intentar reparar la unidad usted mismo. Las reparaciones efectuadas por personas inexpertas pueden causar daños o mal funcionamiento grave. Póngase en contacto con un centro de servicio autorizado.

6.4 Apagado durante los períodos largos de tiempo

Cuando el congelador no está en uso durante un largo período de tiempo, desconéctelo de la fuente de alimentación principal, vacíe toda la comida y limpie el aparato, dejando la puerta entreabierta para evitar olores desagradables.

7. Solución de Problemas

Es normal que el congelador funcione durante largos períodos de tiempo en el verano, cuando la temperatura ambiente es superior;

No operación	Si el congelador está enchufado y conectado a la alimentación; Bajo voltaje; Poder Fallo o circuito de disparo
Olor	Alimentos olorosos deben estrechamente envuelto; Si los alimentos están podridas; Si el interior debe limpiar se.
Operación a largo plazo de compresor	Es normal que opera el congelador durante más tiempo en verano, cuando la temperatura ambiente es más alta; No ponga demasiada comida en el congelador de una sola vez; No coloque los alimentos en el congelador hasta que se enfrían; Abstengase de apertura frecuente de la puerta del refrigerador.
La luz de iluminación no brilla	Si el congelador está conectado a la alimentación; si la luz indicadora está dañado.
La puerta del congelador no puede ser bien cerrada.	La puerta del congelador está atascado por los paquetes de alimentos; Demasiada comida; La inclinación del congelador.
Ruidos fuertes	Si la comida está nivelado, si el congelador está equilibrado; Si las partes del congelador se colocan correctamente.

7.1 Los consejos:

- ◆ El recinto del congelador puede emitir calor durante el funcionamiento, especialmente en verano, esto es causado por la radiación del condensador, y es un fenómeno normal.
- ◆ Condensación: el fenómeno de condensación será detectado en la superficie y las puertas juntas exteriores del congelador cuando la humedad ambiental es grande, este es un fenómeno normal, y la condensación se puede limpiar con una toalla seca.
- ◆ Zumbido: zumbido se generará mediante la ejecución de compresor especialmente al ponerse en marcha o apagarse.

Para obtener más información, póngase en contacto con el fabricante o su distribuidor local donde adquirió el producto.

GARANTÍA

CONGELADOR GARANTÍA

Su congelador está protegido por esta garantía.

❑	PERIODO DE GARANTÍA	A TRAVÉS DE NUESTROS SERVICIOS AUTORIZADOS, HAREMOS LO SIGUIENTE:	EL CONSUMIDOR SERÁ RESPONSABLE DE:
La garantía completa de un año	Un año desde la fecha de compra original	Pagamos todos los costos de reparación o reemplazo de cualquier pieza de este electrodoméstico que demuestren ser defectuoso en materiales o mano de obra.	Los costos de las llamadas de servicio que se enumeran en LAS RESPONSABILIDADES NORMALES DEL CONSUMIDOR

En Los Estados Unidos su electrodoméstico está garantizado por Crosley Corporation. Nosotros autorizamos a nadie a cambiar o agregar a cualquiera de nuestras obligaciones bajo esta garantía.

Nuestras obligaciones de reparación y piezas bajo esta garantía deben ser realizadas por un técnico autorizado por Crosley Corporation. En Canadá su electrodoméstico está garantizado por Crosley Canada Corp..

❑*RESPONSABILIDADES NORMALES DE LOS CONSUMIDORES:

Esta garantía se aplica sólo a los productos de uso doméstico ordinario, y el consumidor es responsable de los artículos que figuran a continuación:

- 1, El uso adecuado del aparato de acuerdo con las instrucciones proporcionadas con el producto.
- 2, La instalación adecuada por un técnico autorizado de acuerdo con las instrucciones proporcionadas con el aparato y de acuerdo con todos los códigos de plomería, eléctricos y de gas locales.
- 3, La conexión adecuada a una fuente de alimentación con conexión a tierra de voltaje suficiente, reemplazo de fusibles quemados, reparación de conexiones sueltas o defectos en el cableado doméstico.
- 4, Gastos para facilitar el acceso al electrodoméstico para el servicio, tales como la remoción de molduras, armarios, estantes, etc., que no son parte del electrodoméstico cuando se envió de la fábrica.
- 5, Daños para terminar después de la instalación.
- 6, Reemplazo de bombillas y/o tubos fluorescentes (en los modelos con estas características).

EXCLUSIONES

Esta garantía no cubre los siguientes:

- 1, Los daños consecuentes o incidentales, tales como daños a la propiedad y gastos incidentales que resulten de cualquier violación de este escrito o cualquier garantía implícita.
Nota: Algunos estados no permiten la exclusión o limitación de daños incidentales o consecuentes, por lo que esta limitación o exclusión puede no aplicarse a usted.
- 2, Las llamadas de servicio que no involucren un mal funcionamiento y defectos de fabricación y materiales, o para electrodomésticos que no uso doméstico normal. El consumidor debe pagar por tales llamadas de servicio.
- 3, Los daños causados por los servicios prestados por administradores que no sean Crosley Corporation, Crosley Canada Corp. o sus técnicos autorizados; el uso de piezas que no sean piezas originales Crosley Corporation, obtenidas de personas que no sean técnicos; o causas externas como abuso, mal uso, suministro de energía o fuerza mayor inadecuada.
- 4, Productos con números de serie originales que han sido removidos o alterados y no pueden determinarse con facilidad.

SI NECESITA SERVICIO:

Mantenga su factura de venta, su comprobante de entrega o cualquier otro registro de pago apropiado. La fecha en el proyecto de ley del período de garantía debe ser requerido. Si se realiza el servicio, es en su mejor interés para obtener y conservar todos los recibos. Esta garantía escrita le otorga derechos legales específicos. Usted también puede tener otros derechos que varían de estado a estado. El servicio bajo esta garantía debe ser obtenido contactando Crosley Corporation o Crosley Canada Corp..

Esta garantía sólo se aplica en los 50 Estados de Los Estados Unidos, en Puerto Rico, y en Canadá. Características o especificaciones descritas o ilustradas de productos están sujetas a cambios sin previo aviso. Todas las garantías son hechas por Crosley Corporation. En Canadá, su electrodoméstico está garantizado por Crosley Canadá Corp ..

Para la información de la garantía, contacte :
844-CROSLEY (844-276-7539)
 CrosleyCare Service
 3 Sperry Rd.
 Fairfield, NJ 07004

Para la información de la garantía de Canadá, contacte:
800-461-7700
 CrosleyCare Canada
 99 Bruce Crescent
 Carleton Place, ON K7C 3T3,
 Canada

Para la información de productos, contacte:
800-356-5268
 Crosley
 St Louis, Mo 63126
 www.crosley.com

www.conservatorappliances.com

Descargo de responsabilidad: El diseño y las especificaciones están sujetas a cambios sin previo aviso para mejorar el producto.