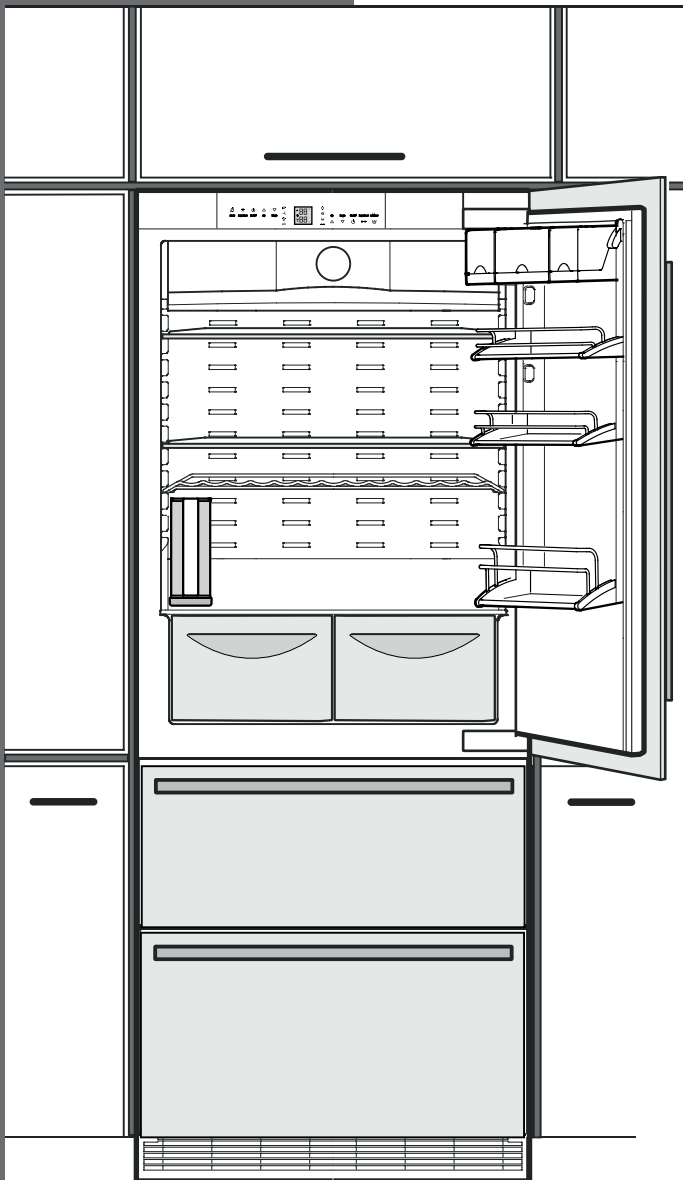


LIEBHERR

Installation Instructions

For Fully Integrated NoFrost
Combined Refrigerator-Freezers



HC 1540/1541
7084 331-00

IMPORTANT

Please Read and Follow these Instructions

These instructions contain Danger, Warning and Caution notes.

This information is important for safe and efficient installation and operation.

Always read and comply with all Danger, Warning and Caution notes!



DANGER!

Danger indicates a hazard which will cause serious injury or death if precautions are not followed.



WARNING!

Warning indicates a potentially hazardous situation which, if not avoided, could result in death or serious injury.



CAUTION!

Caution indicates a potentially hazardous situation which, if not avoided, may result in minor or moderate injury.

IMPORTANT

This indicates information that is especially relevant to a problem-free installation and operation.

Note to the Installer

It is very important to follow the instructions in the manual to ensure proper installation and operation of the unit.

Before installing the unit, be sure to thoroughly read and understand all of the information in this manual.



WARNING!

Electrocution hazard.

Do not connect to the electrical outlet before the installation is completed.

Content

Content	Page
Unit dimensions	4
Door swing clearance	4
Unit venting	4
Cabinet opening dimensions	5
Panel dimensions - framed cabinet design	6
Panel dimensions - frameless cabinet design.....	7
Mounting the anti tipping device	8
Cover strips	9
Leveling the appliance	10
Fastening the appliance in the recess.....	10
Adjusting the refrigerator door.....	11
Adjusting the drawer front	11
Mounting the ventilation grille	12
Before mounting the door panels	13
Mounting the attachment brackets onto the door panels	14
Mounting the refrigerator door panel.....	15
Mounting the freezer drawer panels	17

R600a Refrigerant

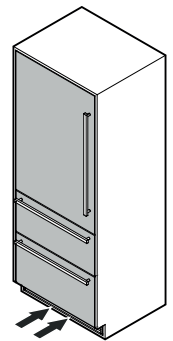


WARNING!

The refrigerant contained within the appliance R600a is environmentally friendly, but flammable. Leaking refrigerant can ignite.

To prevent possible ignition follow the warnings below:

- **Keep ventilation openings, in the appliance enclosure or in the built-in structure, clear of obstruction.** →
- **Do not damage the refrigerant circuit.**
- **Any repairs and work on the appliance should only be performed by the customer service department.**



Disposal of Old Appliance



DANGER!

Risk of child entrapment.

Child entrapment and suffocation are not problems of the past.

Junked or abandoned refrigerators are still dangerous – even if they will sit for “just a few days.”

If you are getting rid of your old refrigerator, please follow these instructions to help prevent accidents.

Before you discard old appliances:

- **Take off the doors.**
- **Leave the shelves in place so that children may not easily climb inside.**
- **Cut off the power cable from the discarded appliance. Discard separately from the appliance.**
- **Be sure to follow your local requirements for disposal of appliances.**

Contact the trash collection agency in your area for additional information.

Disposal of Carton

The packaging is designed to protect the appliance and individual components during moving and is made of recyclable materials.



WARNING!

Keep packaging materials away from children. Polythene sheets and bags can cause suffocation!

Please recycle packaging material where facilities are available.

Electrical Safety

Connect this appliance to a 15 amp or 20 amp, 110-120 VAC, circuit which is grounded and protected by a circuit breaker or fuse.

We recommend using a dedicated circuit for this appliance to prevent circuit overload and the chance of interruption to the appliance.

This appliance is equipped with a three-prong (grounding) polarized plug for your protection against possible shock hazards.

Where a two-prong wall receptacle is encountered, contact a qualified electrician and have it replaced with a properly grounded three-prong receptacle in accordance with all local codes and ordinances.

Disconnect power before installing optional Side By Side Kit. Side by Side Kit is only to be installed on model HC 1541.

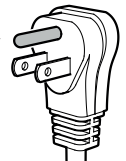


WARNING!

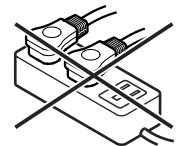
Electrocution hazard.

Electrical grounding required.

- **Do not remove the round grounding prong from the plug.** →
- **Do not use extension cords or ungrounded (two prong) adapters.**
- **Do not use a power cord that is frayed or damaged.**



- **Do not use a power strip.** →



Failure to follow these instructions may result in fire, electrical shock or death.

Blocking for Safety



WARNING!

To avoid a hazard due to instability of the appliance, it must be fixed in accordance with the instructions.

PLANNING INFORMATION

Unit Dimensions - Figure 1, Figure 2

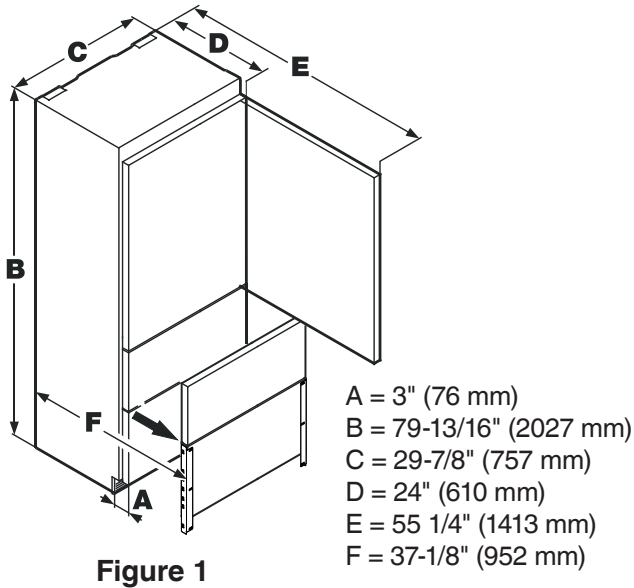


Figure 1

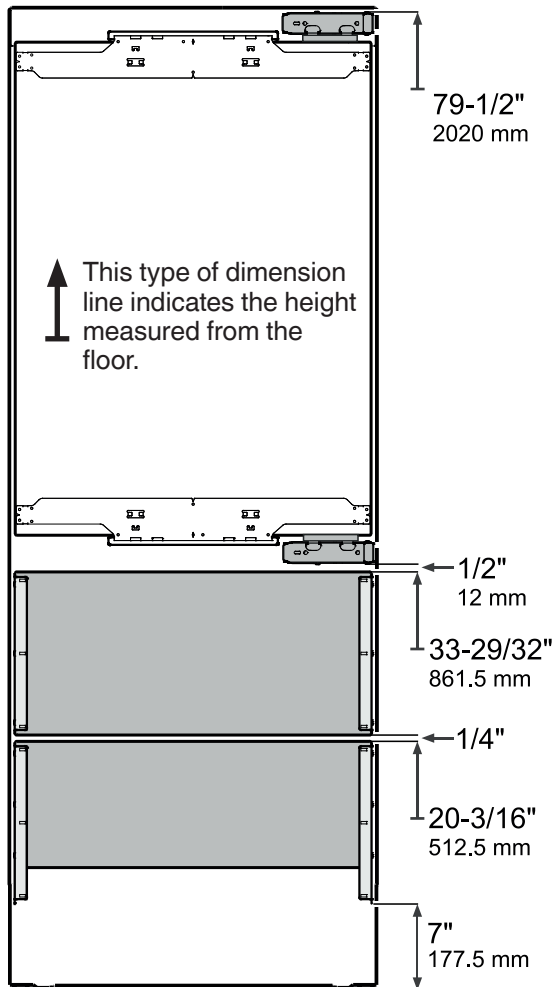


Figure 2

Door Swing Clearance - Figure 3

Please allow for door swing clearance at locations next to a wall.

The illustrated measurement is without mounted front panels. Be sure to add your panel thickness and handle depth to this measurement in order to avoid interferences.

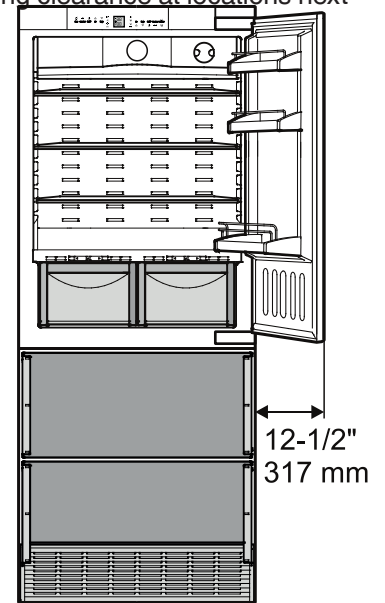


Figure 3

Unit Venting - Figure 4

HC appliances do not require any ventilation openings in the cabinet. The required air flow is directed through the toe kick area.

Only use the ventilation grille provided with the appliance. This grille is required for proper operation of the appliance.

This opening must not be covered with a cabinet base.

Failure to use the supplied grille can result in product failure and will void the warranty.

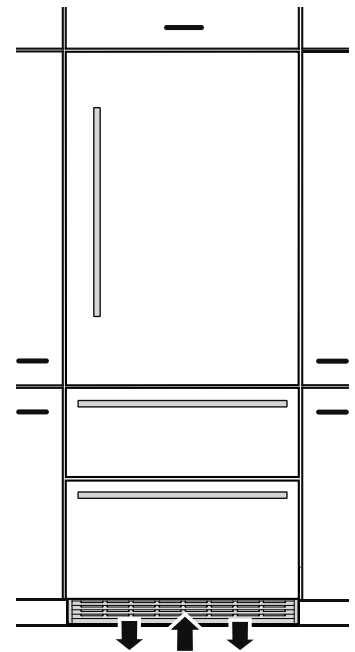
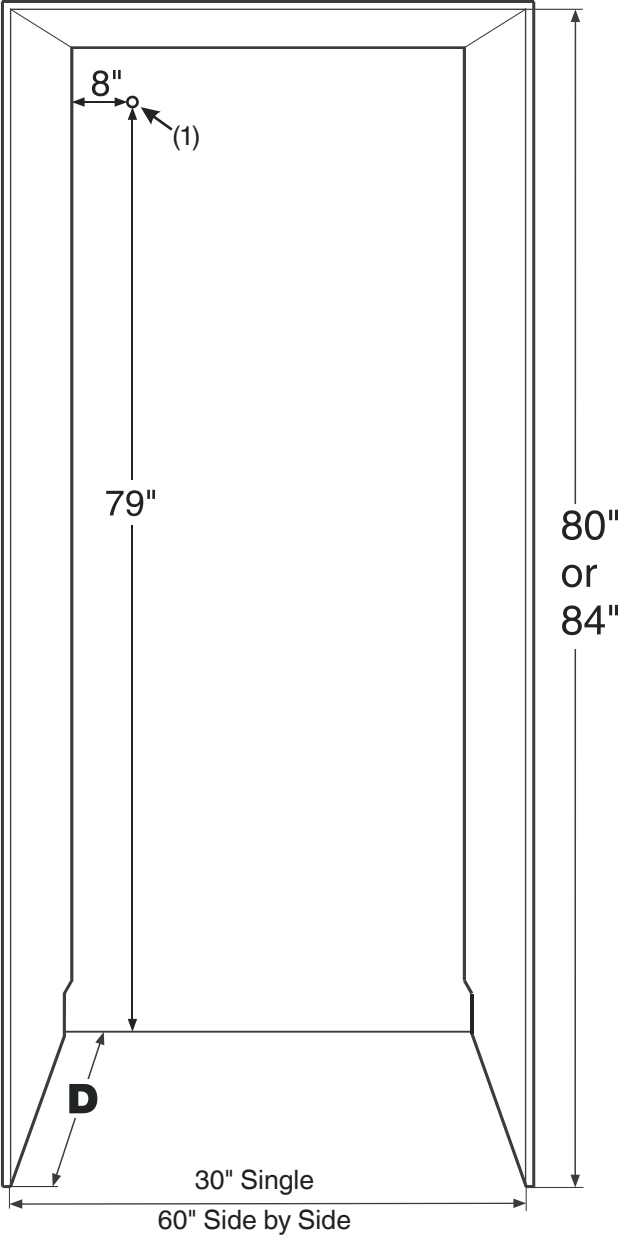


Figure 4

Cabinet Opening Dimensions - Figure 5

Cabinet Height	Inset cabinet Depth D	Frameless/faceframe cabinet Depth D
80"	24" + panel thickness	24"
84"	24" + panel thickness	24"

For appliance with panel to be flush, adjacent cabinetry depth must equal appliance depth (24") plus panel thickness (5/8" - 3/4").



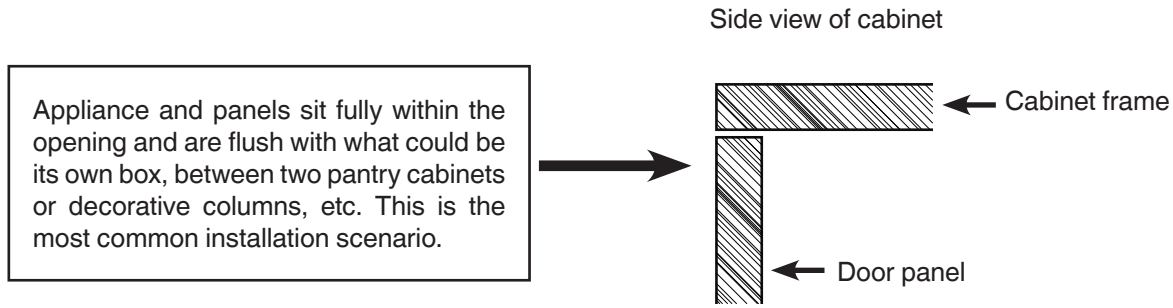
- (1) This is where the power cord extends from the back of the appliance.
- Free length of the power cord = **90 inch (2280 mm)**
- Be sure to take these specifications into consideration when choosing the location of the electrical outlet.

IMPORTANT
The electrical outlet must not be situated behind the appliance and must be easily accessible.

Figure 5

PLANNING INFORMATION

Panel Dimensions - Inset Installation Style - Figure 6

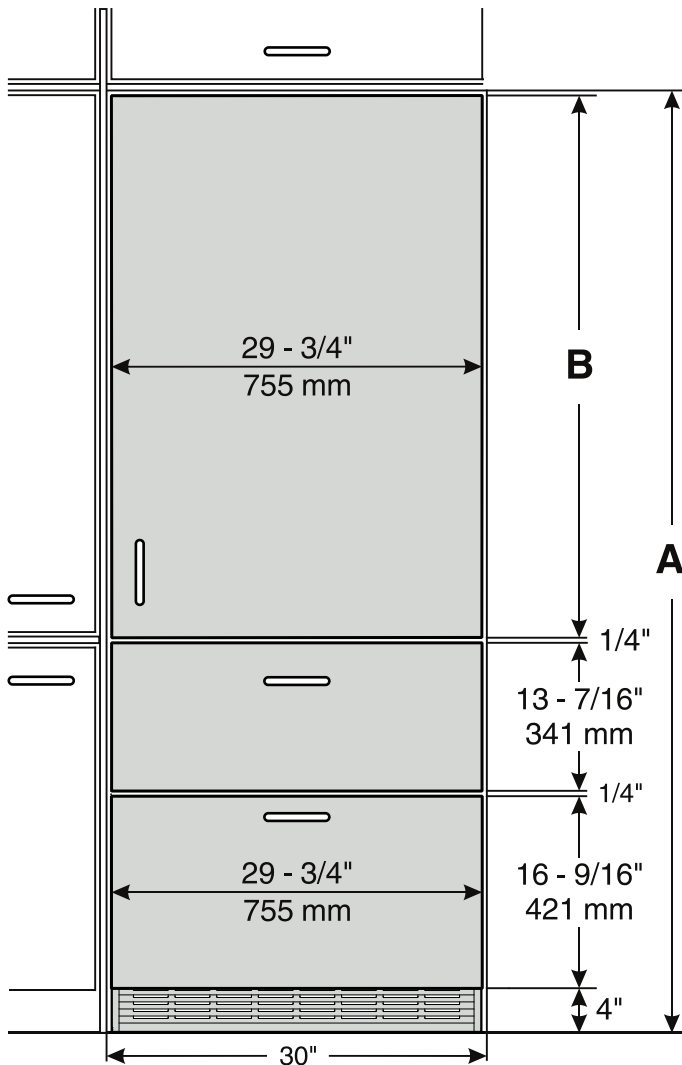


You can order stainless steel panels for inset installation style.

Refrigerator door panel 80"- article number 9900 287-00

Refrigerator door panel 84"- article number 9900 285-00

Freezer drawer panels - article number 9900 283-00



Cabinet opening A	Refrigerator door panel B
80" (2032 mm)	45-1/4" (1150 mm)
84" (2134 mm)	49-1/4" (1251 mm)

The panels should be at least 5/8 inch (16 mm) thick to allow the connecting rails to be fastened to them.

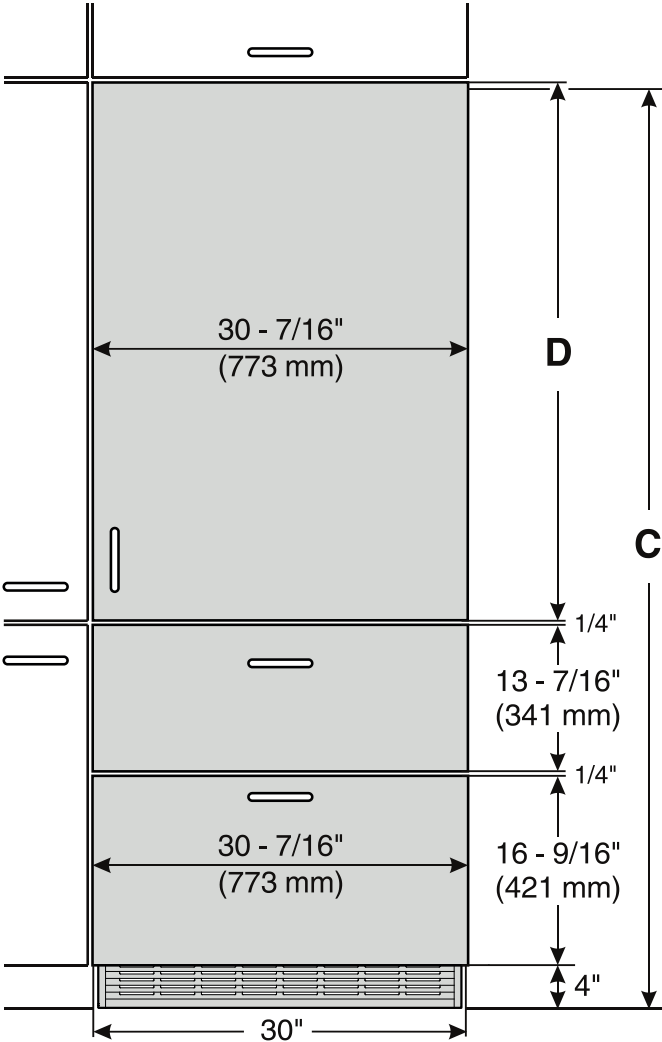
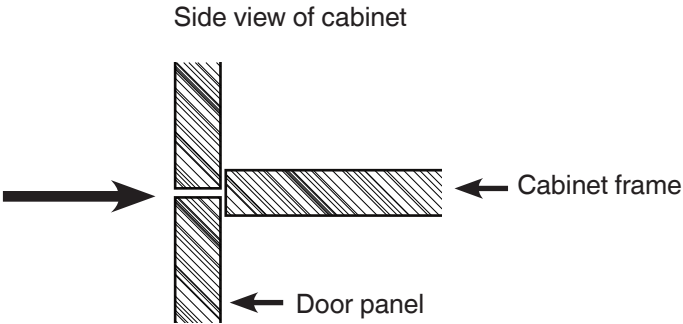
IMPORTANT

The maximum panel thickness is 3/4" (19 mm).
The door panel weight must not exceed 60 lb (27 kg).

Figure 6

Panel Dimensions - Frameless Installation Style - Figure 7

With this installation style, these wider appliance panels partially overlay the shared side gables of adjacent cabinetry so as to mimic the look of a frameless style cabinet.



Cabinet opening C	Refrigerator door panel D
80" (2032 mm)	45-3/4" (1162 mm)
84" (2134 mm)	49-3/4" (1264 mm)

The panels should be at least 5/8 inch (16 mm) thick to allow the connecting rails to be fastened to them.

IMPORTANT

The maximum panel thickness is 3/4" (19 mm).
 The door panel weight must not exceed 60 lb (27 kg).

Figure 7

BLOCKING FOR SAFETY

Mounting the Anti Tipping Device - Figures 8 - 11

⚠ WARNING!

- The anti tipping bracket must be mounted to prevent the appliance from tipping when the fully stocked door is opened.
- Be sure that there is no plumbing or electrical wiring located in this area which screws or drills could damage.

The anti tipping bracket is provided with the appliance.

1. Mark the center line of the appliance on the back wall. Align the anti tipping bracket center to this line.
2. Depending on the constitution of the floor and wall, use any possible mounting option as shown in **Figures 8 - 11**.

IMPORTANT

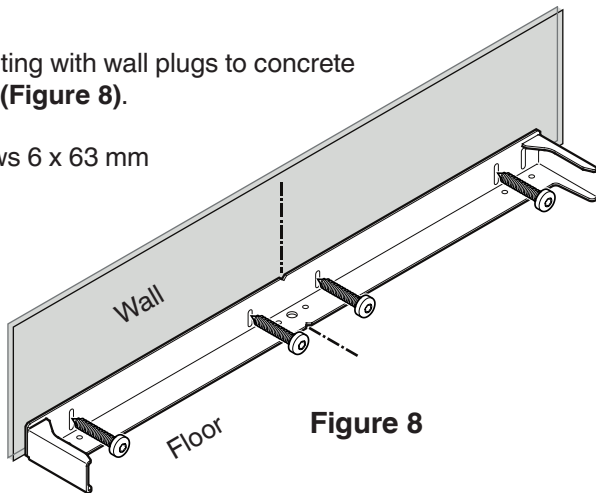
The anti tipping bracket must be fitted at the same height as the toe kick area. If you set the appliance to a higher level by laying spacers underneath, the anti tipping bracket must be fitted accordingly.

Mounting Options

Mounting the bracket with the wall stud.

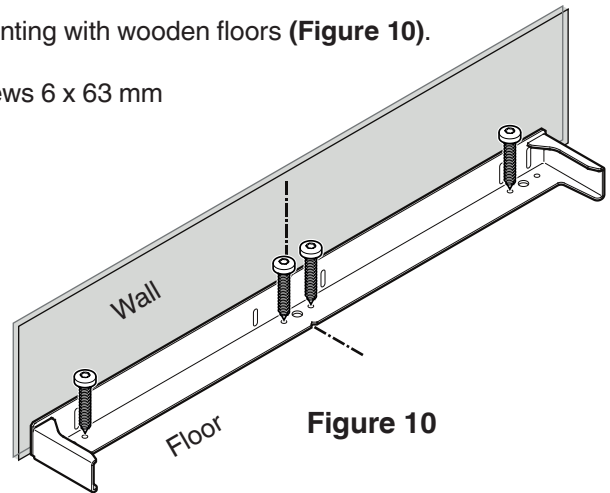
Mounting with wall plugs to concrete walls (**Figure 8**).

Screws 6 x 63 mm



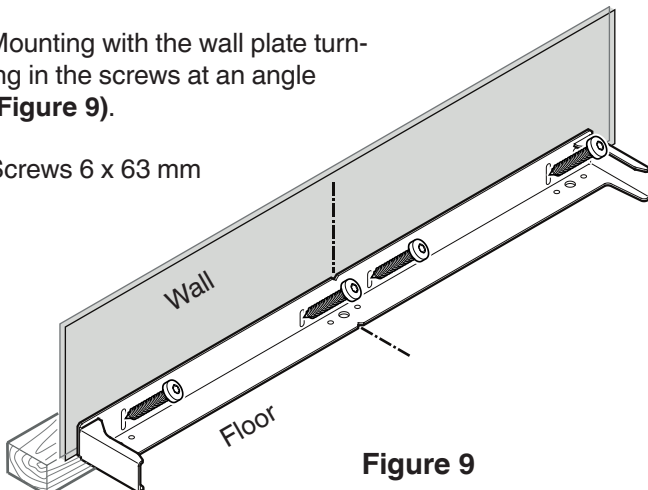
Mounting with wooden floors (**Figure 10**).

Screws 6 x 63 mm

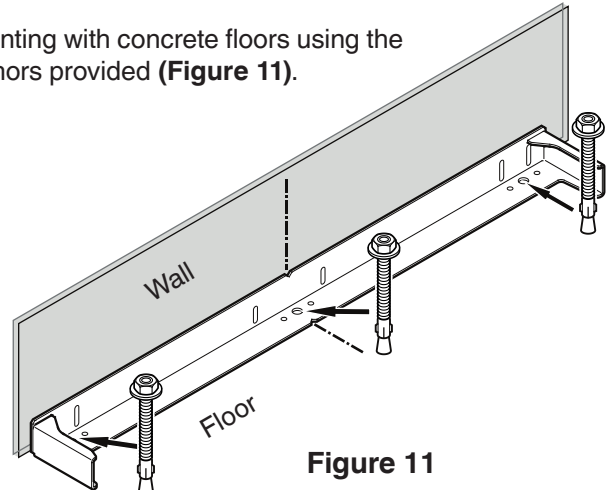


Mounting with the wall plate turning in the screws at an angle (**Figure 9**).

Screws 6 x 63 mm



Mounting with concrete floors using the anchors provided (**Figure 11**).



Mounting the Anti Tipping Device in Cabinets deeper than 24" - Figures 12 - 13

A proper function of the anti tipping bracket is warranted within a cabinet depth of between 24" and 25". If the cabinet is deeper than 25", a wooden spacer must be mounted between appliance and wall.



WARNING!

Be sure the wooden spacer is fastened securely to the floor.

Measuring for mounting the wooden spacer on inset kitchen cabinets - Figure 12

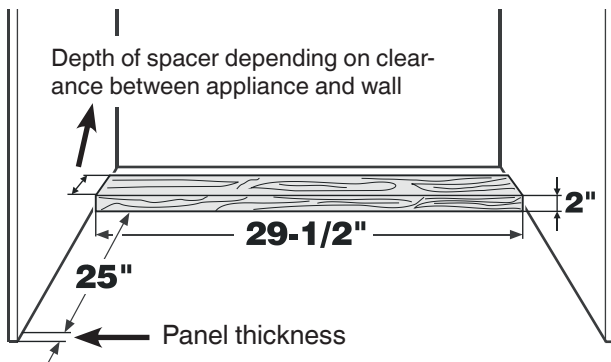


Figure 12

Measuring for mounting the wooden spacer on frameless kitchen cabinets - Figure 13

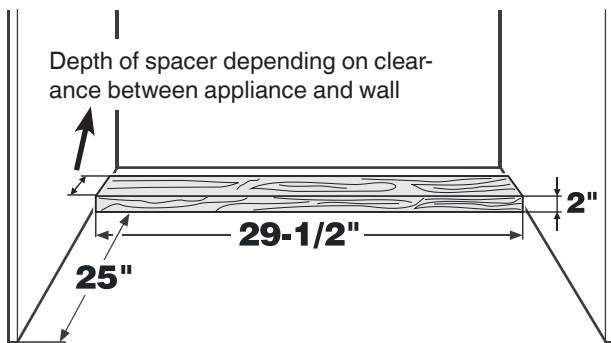


Figure 13

IMPORTANT

If the floor slopes down sideways, the anti tipping bracket must be fitted horizontally. Lay down spacers in the appropriate positions.

Cover Strips - Figure 14

Apply cover strips above, between and below the securing plates on the side walls of the appliance.

Cut the cover strips to the length shown in Figure 14.

Fit the adhesive cover strips leaving a gap of 1/4" to each securing plate. This ensures problem-free fitting of the covers.

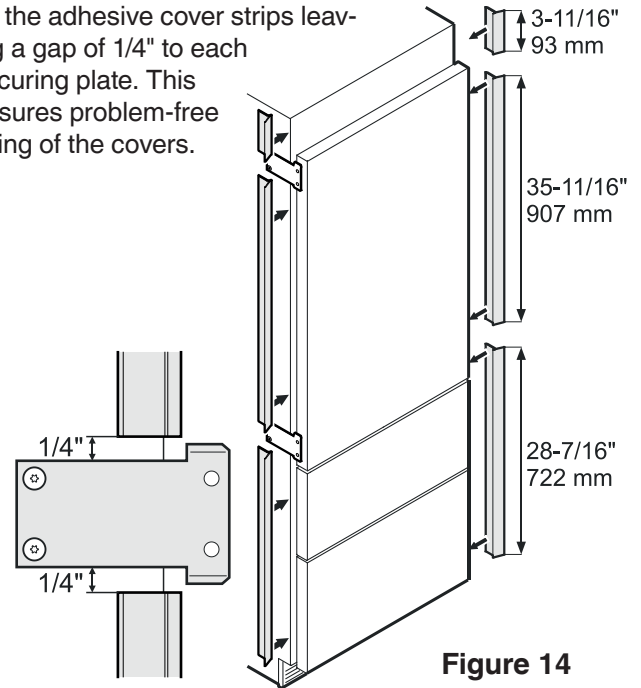


Figure 14

Move the appliance slowly into the recess until the appliance back slides into the anti tipping bracket (Figure 15).

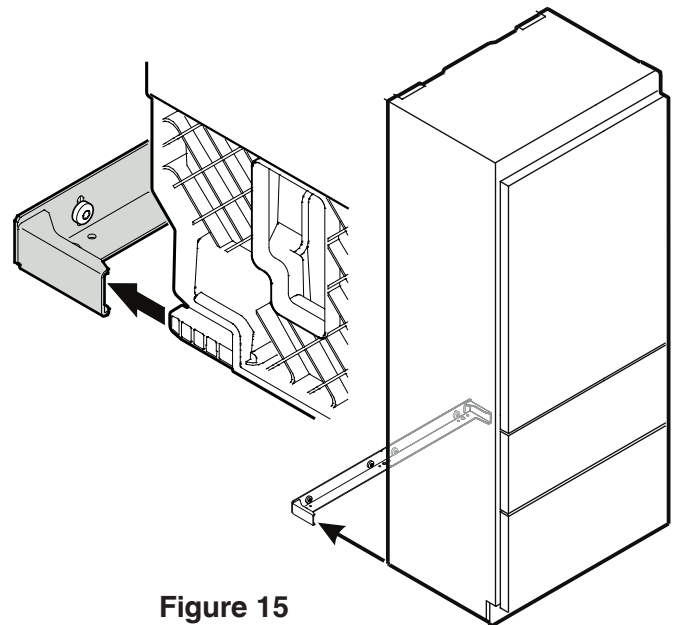


Figure 15

INSTALLATION

Leveling the Appliance - Figure 16

1. Adjust the height of the appliance at the front by twisting the leveling feet (1). Use the open-ended spanner provided.

Turn the spanner counterclockwise to raise the appliance front and clockwise to lower it. Position the spanner accordingly (**Figure 16 - (1)**).

2. Adjust the height of the appliance at the rear by turning the adjusting bolts (2). Use a 1/4" box spanner or the Torx 25 wrench provided.

3. Rotate leveling feet (1) until firmly in place against the floor.

WARNING!

To prevent the appliance from tipping forward the leveling feet (1) (**Figure 16**) must have contact with the floor.

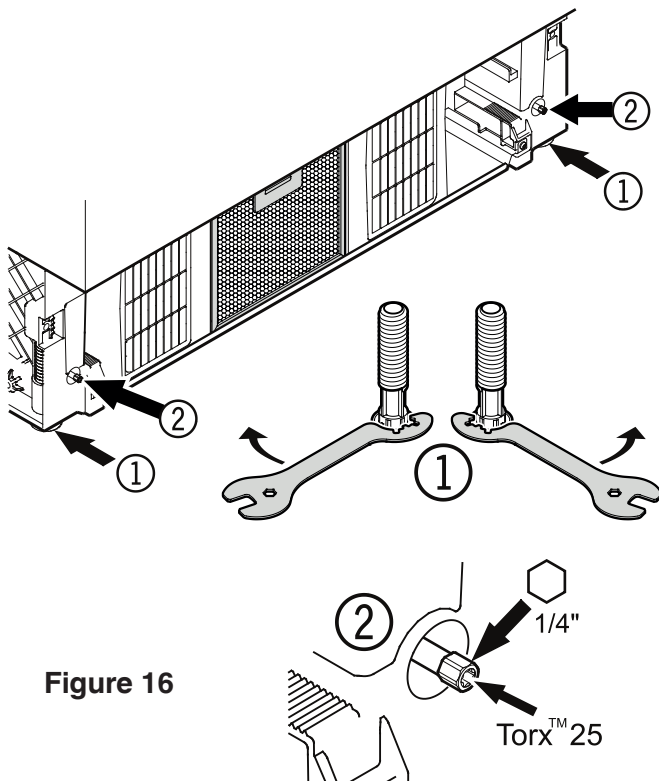


Figure 16

Fastening the Appliance in the Recess - Figure 17

Fasten the appliance in the recess through the pre-mounted securing plates at left and right on the appliance housing using screws 4 x 16 mm. Then click the covers supplied into place.

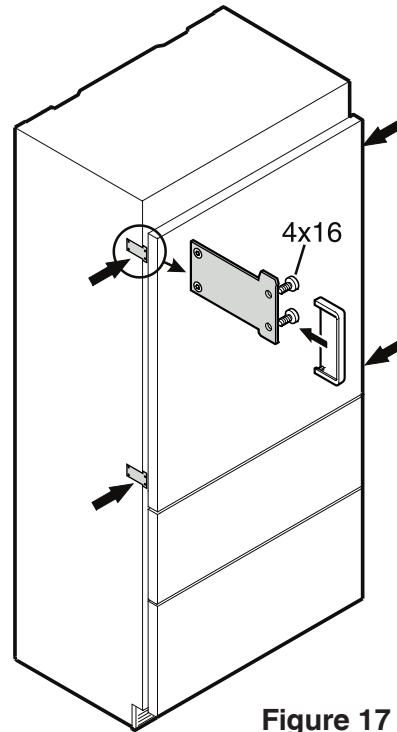


Figure 17

Adjusting the Refrigerator Door - Figure 18

IMPORTANT

Under normal conditions, the factory adjustment of the refrigerator door should not be changed. Only if heavy loading of the refrigerator door is expected, may the adjustment be changed.

Undo screws (1). Adjust the lateral tilt using the grub screw (2) (Allen key A/F 2.5).

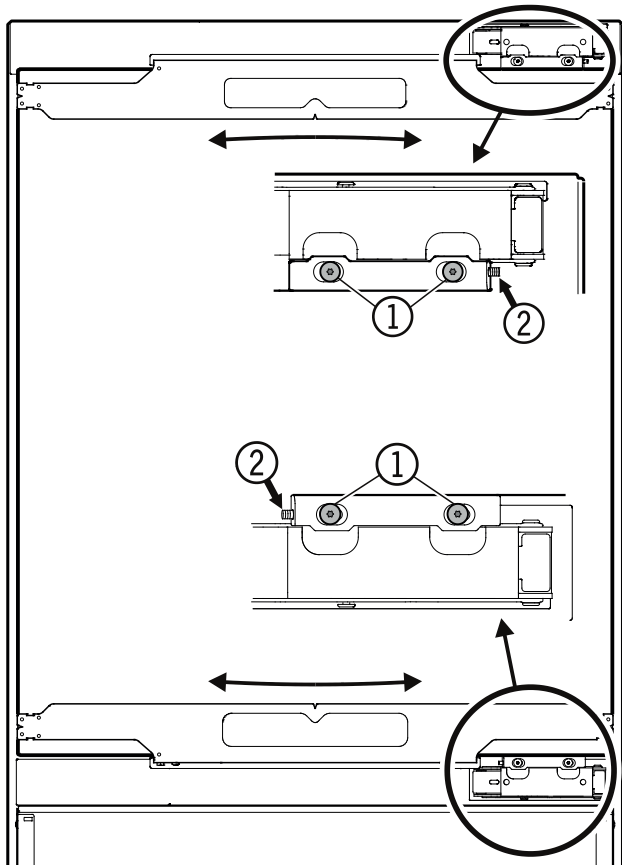


Figure 18

Adjusting the Drawer Front - Figure 19

If required, the front of the freezer drawers can be adjusted.

Transfer the screws shown in the illustration (on the left and right sides of the freezer drawer) individually to the long slots below.

Tighten the screws in the front of the drawer once it is in the right position.

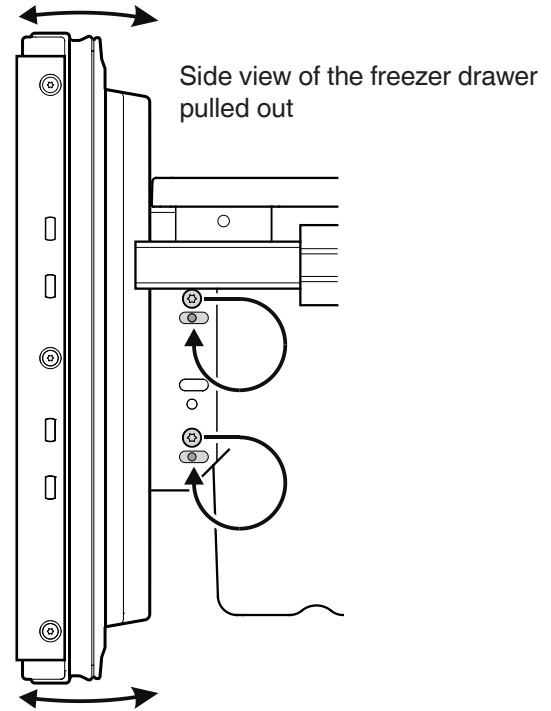


Figure 19

INSTALLATION

Mounting the Ventilation Grille

1. Pull out the bottom freezer drawer.
2. Remove the blue protection film from the dust filter provided and insert the filter into its opening in the toe kick area as shown in **Figure 20**. Engage the filter at the bottom, press down the button and click into place.

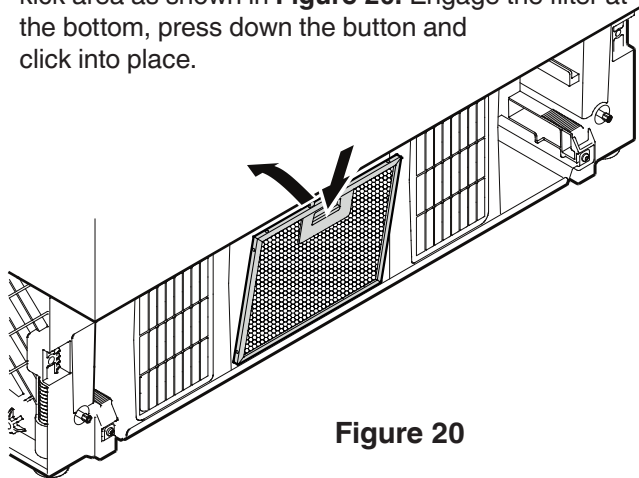


Figure 20

3. Remove the locking pins of both supports. The supports are provided with the appliance accessory pack (**Figure 21**).

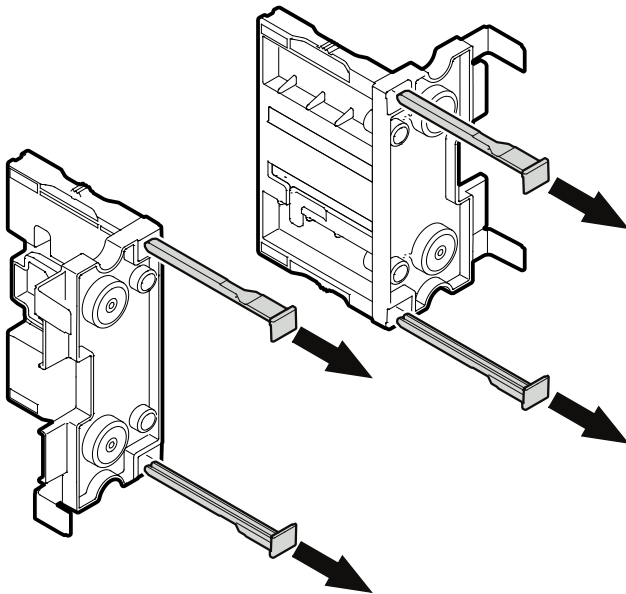


Figure 21

4. Insert the supports for the ventilation grille on the left and right sides in the motor compartment (**Figure 22**).

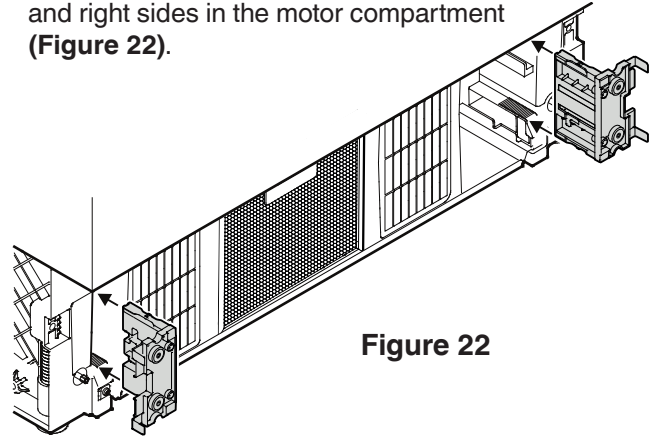


Figure 22

5. The front edge of the brackets is flush with the front of the ventilation grille. Adjust the supports accordingly (**Figure 23**).

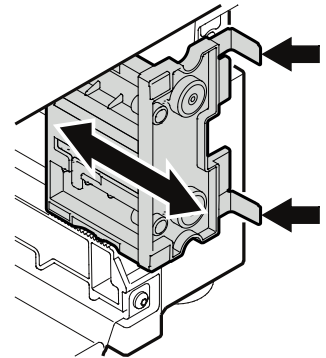


Figure 23

6. Insert the locking pins to block the supports (**Figure 24**).

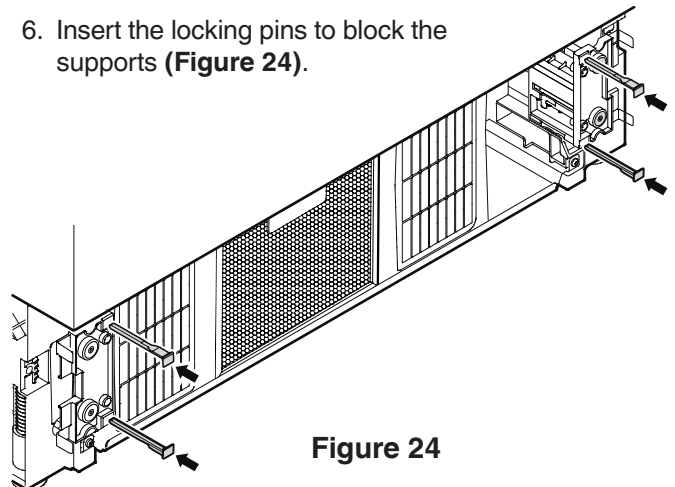


Figure 24

7. Install the ventilation grille (**Figure 25**).
The grille has bolts on the inside (see detail in **Figure 25 a**). These bolts must be inserted into the holes of the supports.

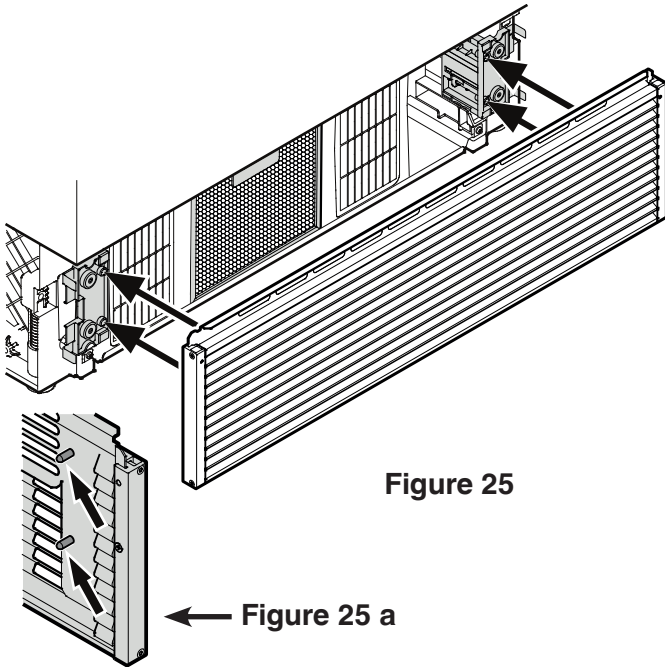


Figure 25

Figure 25 a

8. Adjust the height of the ventilation grille (**Figure 26**).
- Loosen the grub screws at the front of the grille (Allen key A/F 2.5).
 - Adjust the ventilation grille to the desired height.
 - Tighten the grub screws.

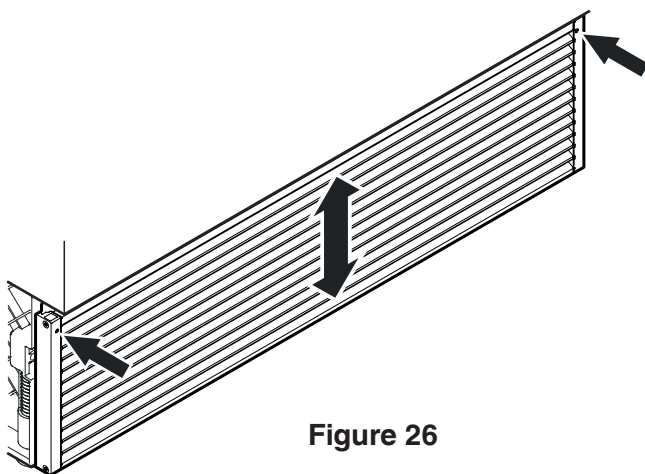


Figure 26

Before Mounting the Door Panels - Figures 27, 28

Remove cover (1) and unscrew the upper and lower attachment bracket (2) of the refrigerator door. These brackets will be mounted onto the refrigerator door panel.

IMPORTANT

The nuts are needed to fit the premounted panel onto the refrigerator door.

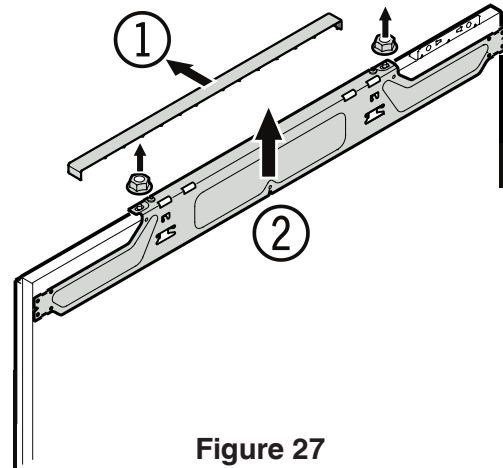


Figure 27

Unscrew the attachment brackets of both freezer drawers. These brackets will be mounted onto the freezer drawer panels (**Figure 28**).

IMPORTANT

The screws are needed to fit the premounted panels onto the freezer drawers.

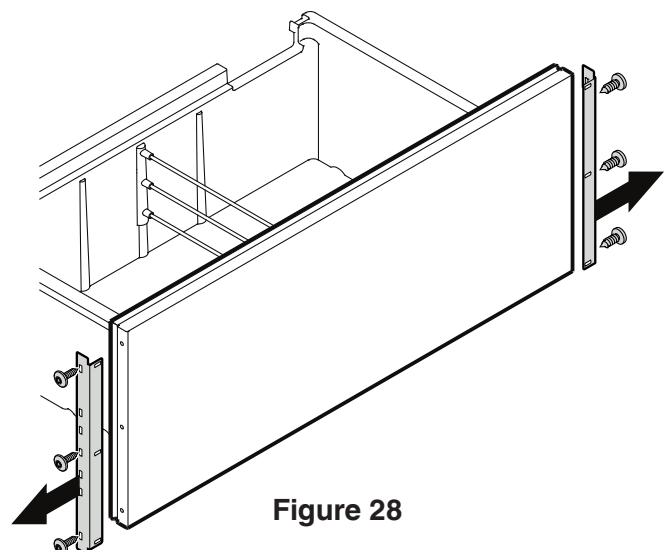


Figure 28

INSTALLATION

Mounting the Attachment Brackets onto the Door Panels - Figure 29

Mark a line with a distance of 41" and 4-1/4" from the bottom of the refrigerator door panel.

Align one of the dismantled brackets of the refrigerator door to the line on the refrigerator door panel as shown in **Figure 29 a**. Fasten the bracket with any hole wherever possible using a minimum of 6 screws 4 x 16 mm.

Align the second bracket of the refrigerator door to the bottom line on the refrigerator door panel as shown in **Figure 29 b**. Fasten the bracket with any hole wherever possible using a minimum of 6 screws 4 x 16 mm.

Fasten the brackets provided onto the freezer drawer panels using three screws (4 x 16 mm) for each bracket considering the measurement in **Figure 29 c**.

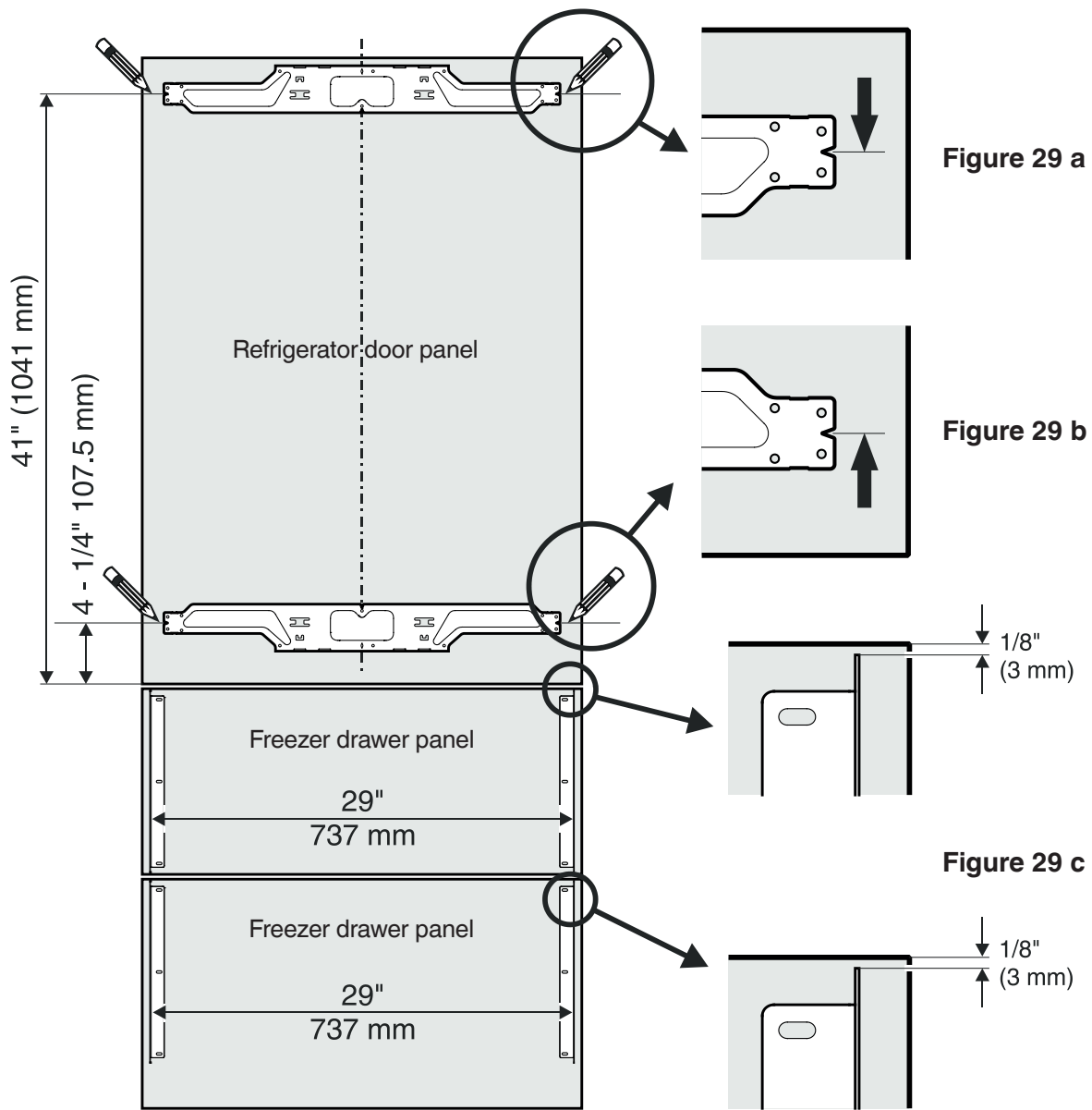


Figure 29

Mounting the Refrigerator Door Panel

1. Turn in the adjusting bolts on the bottom of the refrigerator door as far as possible (**Figure 30**).

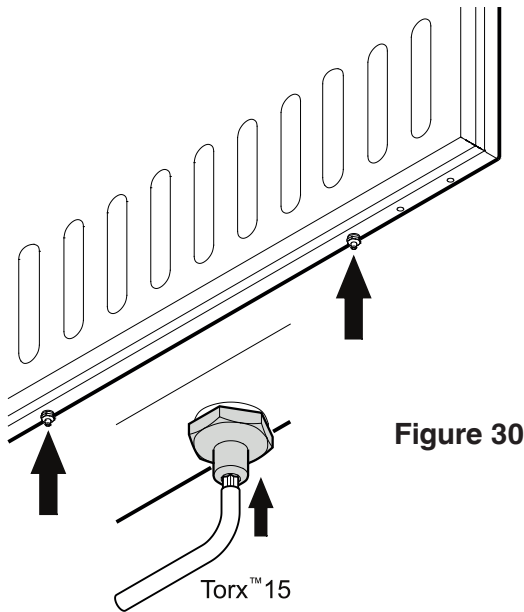


Figure 30

4. Close the door and check the height of the panel.
5. Align the panel in its vertical position if necessary. Loosen the hex nuts and turn the adjusting bolts (**Figure 32**).

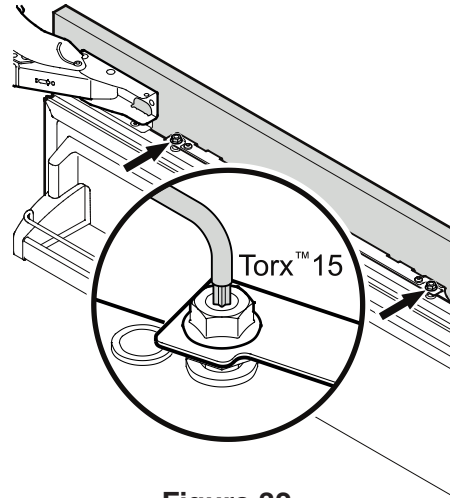


Figure 32

2. Open the refrigerator door and hang the panel on the top adjusting bolts (**Figure 31**).
3. Screw on the hex nuts to the adjusting bolts and finger tighten temporarily (**Figure 31**).

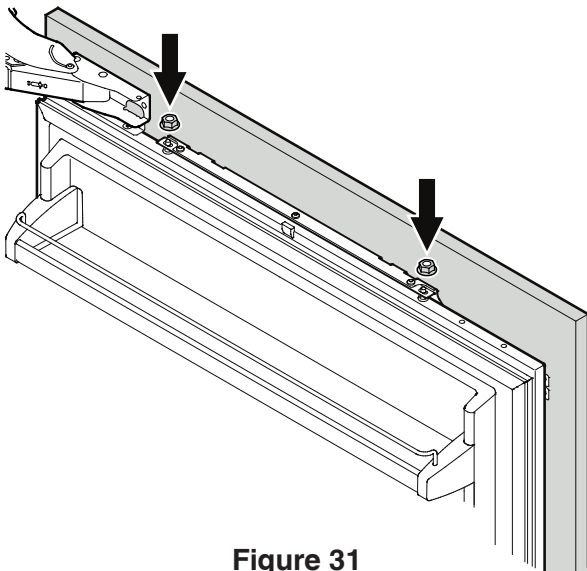


Figure 31

6. Align the panel horizontally (with the long holes in the attachment bracket) (**Figure 33**).
7. Tighten the hex nuts.

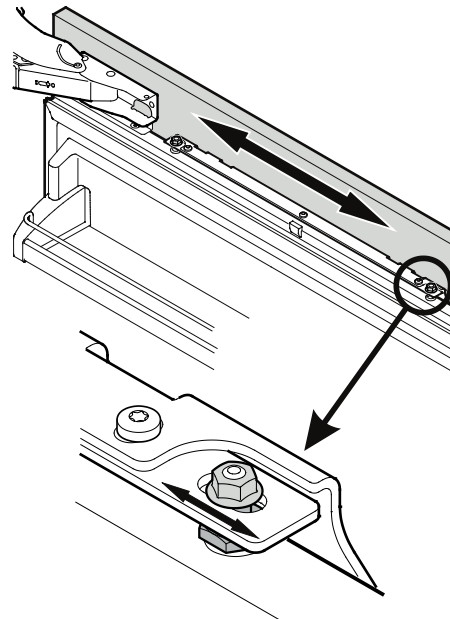


Figure 33

INSTALLATION

8. Turn the adjusting bolts (bottom refrigerator door) until they make contact with the attachment bracket (Figure 34).

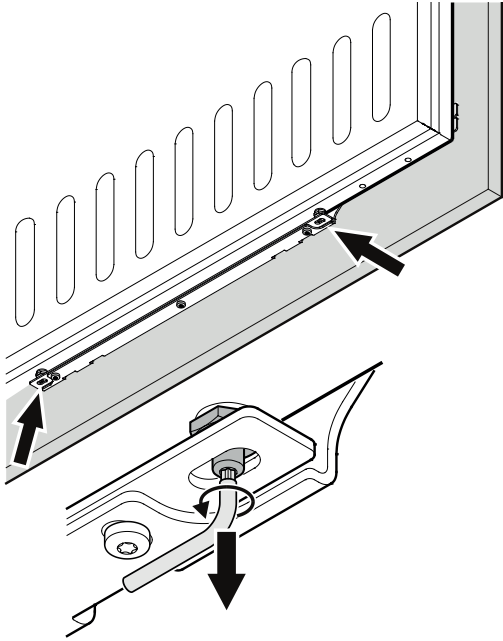


Figure 34

10. Loosen the three screws on the top of the attachment bracket, align the panel as shown in Figure 36 and tighten the screws. This can also be done with the lower attachment bracket.

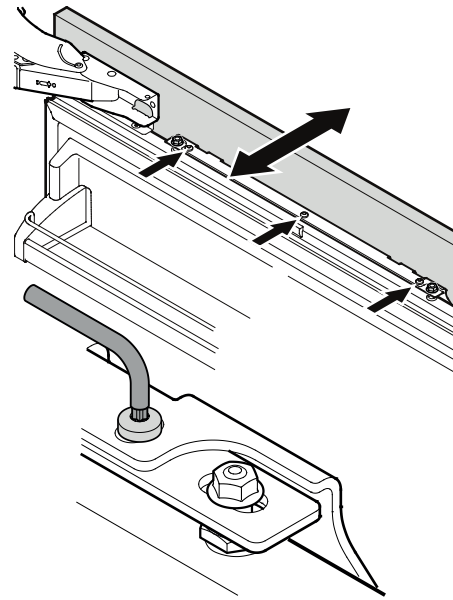


Figure 36

9. Screw on the hex nuts and tighten (Figure 35).

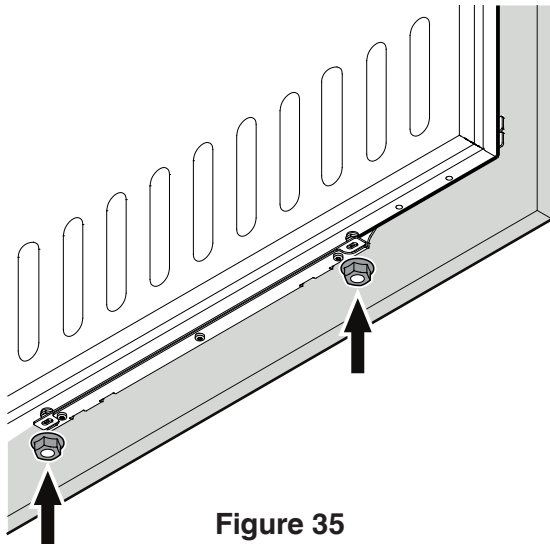


Figure 35

11. Click cover (1) into place. Insert the cover strip provided (2) between refrigerator door and panel (Figure 37).

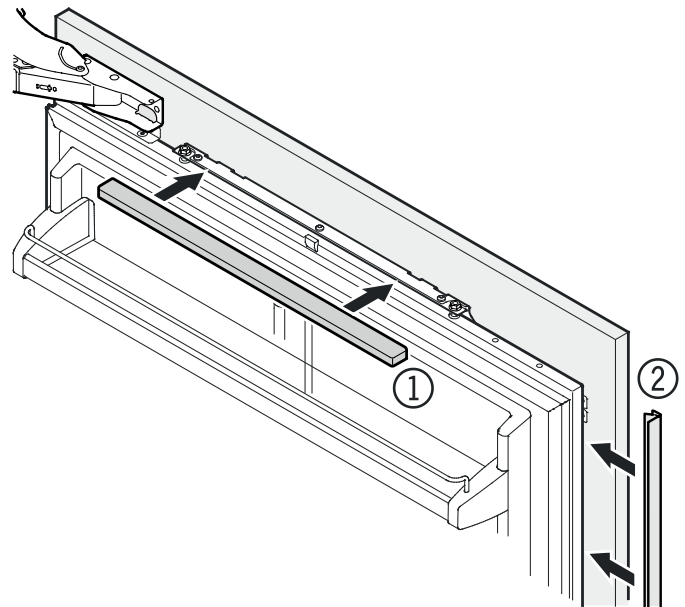


Figure 37

Mounting the Freezer Drawer Panels

- Figure 38

1. Pull out the upper freezer drawer and screw on the panel with three screws on the left and right sides using the screws as shown in **Figure 38**.
2. Close the drawer and check the position to the surrounding cabinet panels. Align the panel in vertical direction by loosening the screws left and right. Finally tighten the screws.

IMPORTANT

Do not overtighten. Do not use a power driver.

3. Pull out the lower freezer drawer and fasten the lower panel in the same way.
4. Finally cover the gap between the drawer and the panel of both freezer drawers with the strips provided. Remove the foil from the adhesive surface of the strip and stick on the top of the appliance drawer making sure the flexible gasket is fully inserted in the gap.

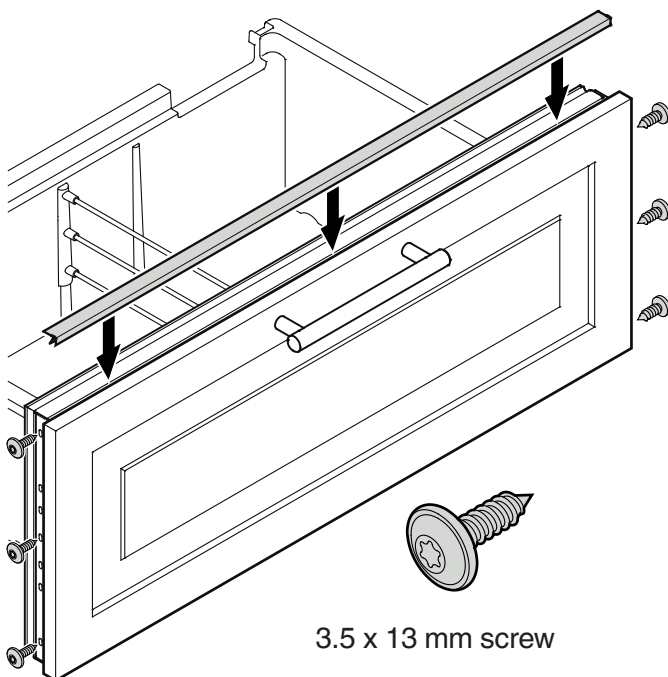


Figure 38



For Service in the U.S.

Liebherr Service Center

Toll Free: **1-866-LIEBHER** or **1-866-543-2437**

Email: Service-appliances.us@liebherr.com

PlusOne Solutions, Inc.

3501 Quadrangle Blvd, Suite 120

Orlando, FL 32817

For Service in Canada

Liebherr Service Center

Toll Free: **1-888-LIEBHER** or **1-888-543-2437**

www.euro-parts.ca

EURO-PARTS CANADA

39822 Belgrave Road

Belgrave, Ontario, N0G 1E0

Phone: (519) 357-3320

Fax: (519) 357-1326



www.liebherr-appliances.com