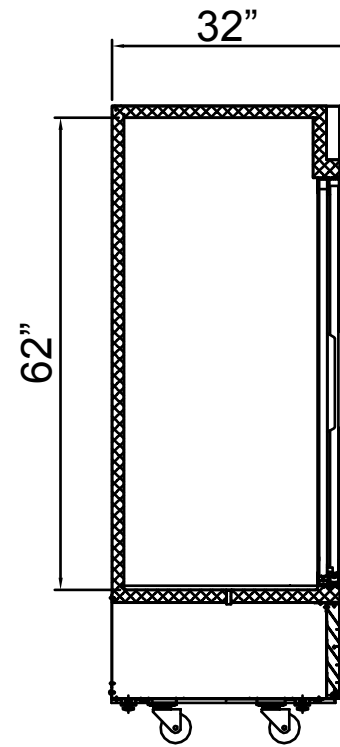
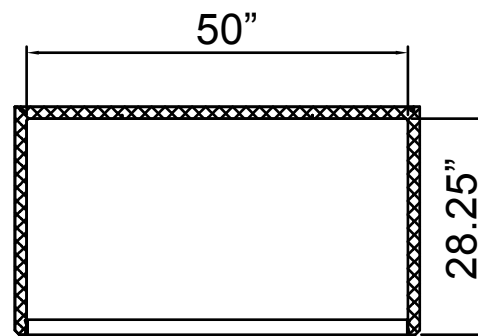


ELEVATION



SECTION VIEW



PLAN

SG1.28FYL2