



FFFFD1785-31S/FFFFD1785-31WHT/FFFFD1785-31BLK
Forno 17.2 Cu.Ft. Frost Free Refrigerator

**BEFORE USE, PLEASE READ AND FOLLOW ALL SAFETY RULES AND
OPERATING INSTRUCTIONS.**

Customer Care

Thank you for purchasing a **FORNO** product. Please read the entire instruction manual before operating your new appliance for the first time. Whether you are an occasional user or an expert, it will be beneficial to familiarize yourself with the safety practices, features, operation and care recommendations of your appliance.

Both the model and serial number are listed inside the product. For warranty purposes, you will also need the serial number, the date of purchase & a copy of your proof of purchase. Record this information below for future reference.

SERVICE INFORMATION

Model Number

Use these number in any correspondence or service calls concerning your product.

Serial Number

If you received a damaged product, immediately contact **FORNO**.

Save time and money. Before you call for service, check the Troubleshooting Guide. It lists the causes of minor operating problems that you can correct yourself.

Date of Purchase

Purchase Address & Phone

SERVICE IN CANADA & UNITED STATES

Keep the instruction manual handy to answer your questions. You can also find all the information you need online at www.forno.ca.

If you don't understand something or need more assistance, please visit our website or email: mysupport@forno.ca

If there is a problem, please contact FORNO customer service. Please note that troubleshooting with a customer service representative will be needed before being able to send a service provider. All warranty work needs to be authorized by FORNO customer service. All our authorized service providers are carefully selected and rigorously trained by us.

Table of Contents

IMPORTANT SAFETY INSTRUCTIONS	4
REFRIGERATOR OVERVIEW	7
INSTALLING YOUR NEW APPLIANCE	8
DISPLAY CONTROLS	11
USING YOUR REFRIGERATOR	13
CLEANING AND CARE	14
HELPFUL HINTS AND TIPS	15
TROUBLESHOOTING	16
DISPOSAL OF THE APPLIANCE	18
WARRANTY	19

Important Safety Instructions

Read and follow all safety messages. Save these instructions.



This safety alert symbol will help you understand situations and hazards that may cause injury or death.

WARNING

The **WARNING** alert means a potentially hazardous situation. Serious injury or death may occur if not avoided.

DANGER

The **DANGER** alert means an imminently hazardous situation. Serious injury or death may occur if not avoided.

CAUTION

The **CAUTION** alert means a potentially hazardous situation. Moderate or minor injury may occur if not avoided.

WARNING

1. Please ensure that everyone using this appliance is familiar with its operations and safety features. This appliance is not intended for use by persons (including children) with reduced physical, sensory or mental capabilities, unless supervised or are properly instructed.

2. This appliance is intended to be used in residential households and similar applications.

3. Keep explosive and flammable substances away from unit. Do not store similar material in the refrigerator.

4. Disconnect power before servicing or installing an Ice Maker.

5. Use nonflammable cleaner.

6. Use 2 or more people to remove old unit and install this unit.

7. Do not use mechanical devices or other means to accelerate the defrosting process, other than those recommended by the manufacturer.

8. Do not damage the refrigerant circuit.

9. Do not use electrical appliances inside the food storage compartments of the appliance, unless they are of the type recommended by the manufacturer.

10. The instructions include the following wording regarding the use of extension cords:

Do not use an extension cord or ungrounded (two prong) adapters.

If the supply cord is damaged, it must be replaced by the manufacturer, its service agent or similarly qualified persons in order to avoid a hazard.

11. Keep ventilation openings, in the appliance enclosure or in the built-in structure, clear of obstruction.

 **DANGER**

To avoid the risks that are always present when using an electric appliance, we recommend that you pay attention to the instructions about electricity below.

1. The appliance requires single phase 115V/60Hz power supply. It has a power cord that has a 3-prong grounding plug that minimizes the possibility of electrical shock. This appliance must be grounded. Do not remove grounding prong or modify the power plug.
2. The unit should be plugged into a dedicated electrical outlet that meets all current standards and requirements. Do not plug anything else into the same outlet and ensure the appliance is the only thing plugged into the entire circuit. It should have its own dedicated breaker. Otherwise, this may overload the circuit and cause a fire.
3. Do not modify the power plug. The power plug must be accessible when the appliance is installed.
4. The appliance should not be turned off with a switch or other device.
5. Make sure that the plug is not squashed or damaged. Otherwise, it may cause short circuit, electric shock or overheat and even cause a fire.
6. Do not insert the power plug if the socket is loose, there is a risk of electric shock or fire.
7. Switch off the appliance and disconnect it from the main power before you clean or move it.
8. Never unplug the appliance by pulling on the electrical cord. Always grip the plug firmly and pull straight out from the socket to prevent damaging the power cord.
9. Do not operate the appliance without the cover over interior lighting.

10. Any electrical component must be replaced or repaired by a qualified electrician or authorized service engineer. Only genuine replacement parts should be used.

11. To avoid eye injury, do not look direct into the LED light located in the refrigerator compartment. If it is not functioning correctly, consult a qualified, registered electrician or replace it in accordance with the cleaning and care chapter.

12. The refrigerant isobutene (R600a) is contained within the refrigerant circuit of the appliance. During transportation and installation of the appliance, ensure that none of the components of the refrigerant circuit becomes damaged. The refrigerant (R600a) is flammable.

13. Risk of child entrapment. Before you throw away your old appliance:

- Take off the doors
- Leave the shelves in place so that children may not easily climb inside.

 **CAUTION**

1. Don't store products which contain flammable propellants (e.g. spray cans) or explosive substances in the appliances.
2. Avoid open flames (candles, lamps etc.) and sources of ignition.
3. Thoroughly ventilate the room in which the appliance is situated.
4. Unpack and check through the appliance. Should any damage be evident, don't plug in the appliance but contact the shop immediately from which you purchased it. Keep all packing materials in this case.
5. We recommend that you wait for 4 hours before connecting the appliance to allow the refrigerant to flow back into the compressor.

General safety and daily use

It is important to use your appliance safely. We recommend that you follow the guidelines below.

We recommend that you keep this users manual with the appliance for future reference.

This appliance is intended to be used in households and similar applications such as:

- Staff kitchen-areas in shops, offices and other working environments;
- Clients in hotels, motels and other residential types of environment;
- Bed and breakfast type of environments;
- Catering and similar non-retail applications.

Lack of experience and knowledge, unless they have supervision or been given instruction concerning use of the appliance. Children should be supervised to ensure that they do not play with the appliance.

Store any food in accordance with the storage instructions from the manufacturer.

Don't try to repair the appliance yourself. It is dangerous to alter the specifications or modify this product in any way. Any damage to the power cord may cause a short circuit, fire or electric shock.

Don't place too much food directly against the air outlet on the rear wall of both the refrigerator and freezer compartment, as it affects sufficient air circulation.

Don't place hot items near the plastic components of this appliance.

Frozen food must not be refrozen once it has been thawed out.

Don't store bottled or canned drinks (especially carbonated drinks) in the freezer compartment. Bottles and cans may explode.

Use caution consuming popsicles or ice cubes straight from the freezer as this can cause freezer burn to the mouth and lips.

Safety for children and infirm persons

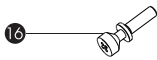
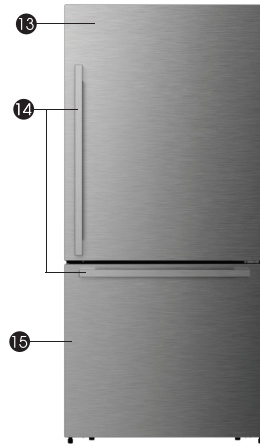
Keep all packaging away from children to avoid risk of suffocation.

Protect children from being scalded by touching the compressor at the rear bottom of appliance

Don't place items on top of the appliance as this could cause injury should they fall off.

Never allow children to play with the appliance by hanging or standing over or on the doors, racks, shelves and drawers etc.

Refrigerator Overview



A



B



C



- ① Display panel
- ② Air Duct
- ③ Glass shelf
- ④ Crisper cover
- ⑤ Crisper Drawer
- ⑥ Upper freezer drawer
- ⑦ Lower freezer drawer

Package Contents

- ⑭ Handle(x2)
 - long handle for fridge door, with screws (x2) assembled
 - short handle for freeze door, with screws (x2) assembled
- Spare parts, used when screws assembled missed

- ⑧ Adjustable bottom feet
- ⑨ Half Width Door Bin (x4)
- ⑩ Door Gasket
- ⑪ Full Width Door Bin
- ⑫ Roll wheel
- ⑬ Fridge door
- ⑮ Freezer door
- ⑯ Handle supports (x4)

A -hexagon socket cap screws (x2)

Assembly tool:
B-Allen Wrench 1/8"
C-Wrench 7/8"

NOTE

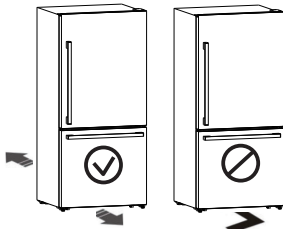
- Due to unceasing modification of our products, your refrigerator may be slightly different from this instruction manual, but its functions and using methods remain the same.
- To get the best energy efficiency of this product, please place all shelves, drawers and baskets on their original position as the illustration above.

Installing Your New Appliance

Before using the appliance for the first time, you should be informed of the following tips.

⚠ Warning!

For proper installation, this refrigerator must be placed on a level surface of hard material that is the same height as the rest of the flooring. This surface should be strong enough to support a fully loaded refrigerator. The rollers, which are not castors, should be only used for forward or backward movement. Moving the refrigerator sideways may damage your floor and the rollers.

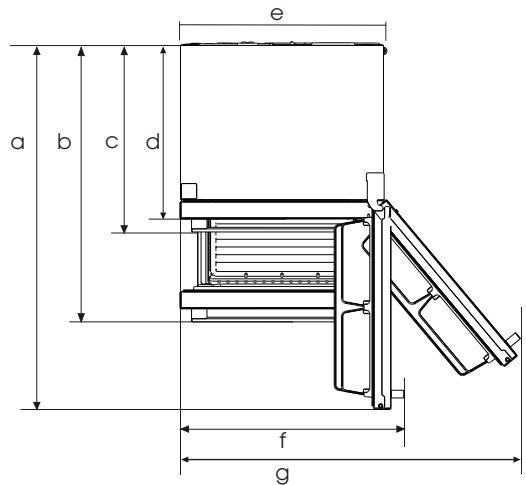
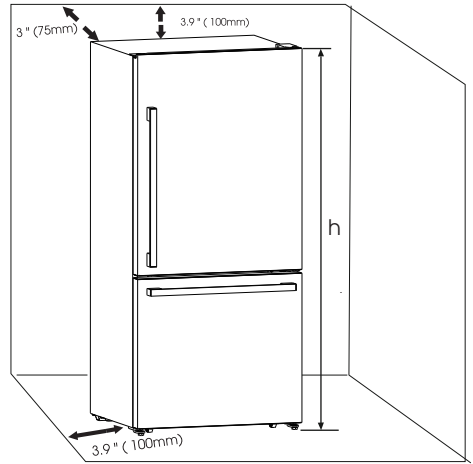


⚠ Ventilation of appliance

In order to improve efficiency of the cooling system and save energy, it is necessary to maintain good ventilation around the appliance for the dissipation of heat. For this reason, sufficient clear space should be available around the refrigerator.

Suggestion

It is advisable for there to be at least 3 inches (75mm) of clearance from the back of the fridge to the wall, at least 3.9 inches (100mm) of clearance from its top, at least 3.9 inches (100mm) from its side to the wall and a clear space in front to allow the doors to open 130°. As shown in following diagrams.



Note:

- This appliance performs well with ambient temperature between 55°F (12.8°C) to 110°F (43.3°C). The appliance may not work properly if left at a temperature above or below the indicated range.

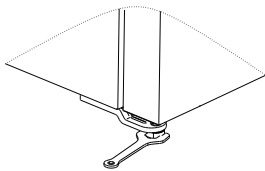
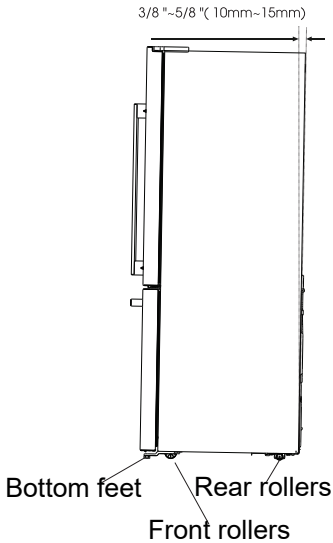
- Stand your appliance in a dry place to avoid high moisture.
- Keep the appliance out of direct sunlight, rain or frost. Stand the appliance away from heat sources such as stoves, fires or heaters.

	dimension
a	56.3" (1430mm)
b	43.3" (1101mm)
c	29.1" (740mm)
d	26.6" (675.5mm)
e	31.1" (790mm)
f	34.3" (870mm)
g	52" (1321mm)
h	69.1" (1756mm)

Leveling of appliance





•For sufficient leveling and air circulating in the lower rear section of the appliance, the bottom feet may need to be adjusted. You can adjust them manually by hand or by using a suitable tool.

•To allow the doors to self-close, tilt the top backwards by 3/8~5/8 inches (10-15mm).



Adjustment of bottom feet

Tools you may need

Not provided		
	Phillips Screwdriver & Slotted Screwdriver	Socket Wrench (5/16", 8mm)
Provided		
	Allen Wrench (1/8", 3mm)	Wrench

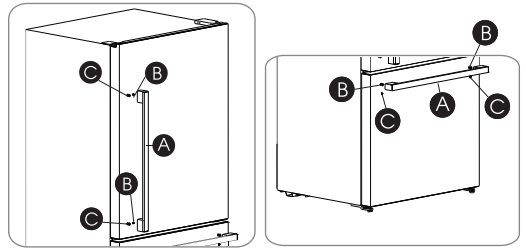
Installing the handles

Before you use the appliance, you have to install the handles provided in the fridge chamber.

The longer one is fridge door handle, the shorter one is freezer door handle.

Please follow procedures below to install and reverse the handle.

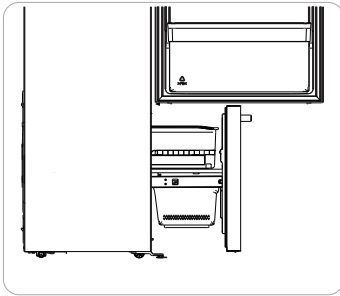
•Take out the screw hole covers on the doors, install the handle supports (C). Place the handle (A) on the door by fitting the handle over the handle supports (C), then fasten the screws (B) with 3mm Allen wrench (provided in plastic bag).



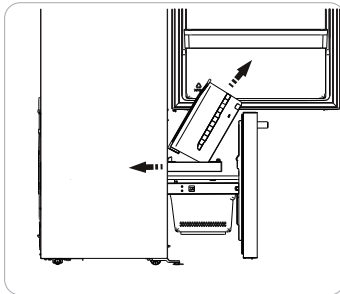
Freezer Door Removal

In case your home access door is too narrow for the refrigerator to pass through, remove the refrigerator doors and drawers as follows.

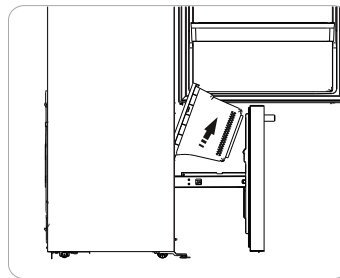
1. Firstly, open the upper door, then pull out the freezer door and upper freezer drawer to the final position.



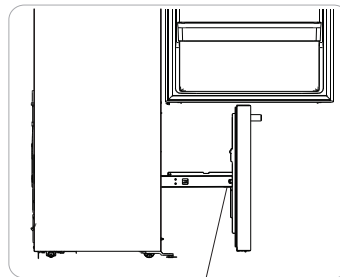
2. Take out the upper freezer drawer by lifting it up from the rail system, then push the rail system back.



3. Remove the lower freezer drawer by lifting it up.

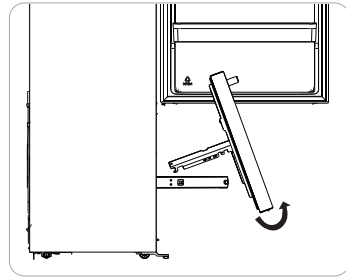


4. Remove the 2 screws attached to the supporting frame.



screws on the inside

5. Pull out the freezer door and lift it up in the direction of the arrow.



Re-assembling the freezer door

To reattach the drawer after you moved the appliance to its final location, assemble the parts in reverse order.

Display Controls



Controlling the temperature

We recommend that when you start your refrigerator for the first time, the temperature for the refrigerator is set to 39°F(4°C) and the freezer is set to 0°F(-18°C). If you want to change the temperature, follow the instructions below. Caution! When you set a temperature, you set an average temperature for the whole refrigerator cabinet. Temperatures inside each compartment may vary from the temperature displayed on the panel, depending on how much food you store and where you place them. Ambient temperature may also affect the actual temperature inside the appliance.

1. °F / °C

To toggle between Celsius and Fahrenheit on the display, press and hold the "TEMP." button for three seconds.

2. Fridge

Press the "ZONE" button until the "Fridge" icon lights up, then press the "TEMP." button to select a temperature setting. If you have set the temperature type to Fahrenheit, the temperature settings cycle from 44°F to 34°F.

→ 44°F — 43°F — 42°F — 41°F — 40°F
34°F — 35°F — 36°F — 37°F — 38°F — 39°F ←

If you have set the temperature type to Celsius, the temperature settings cycle from 7°C to 1°C.

→ 7°C — 6°C — 5°C
1°C — 2°C — 3°C — 4°C ←

3. Freezer

Press the "ZONE" button until the "Freezer" icon lights up, then press the "TEMP." button to select a temperature setting.

If you have set the temperature type to Fahrenheit, the temperature settings cycle from 7°F to -11°F.

→ 7°F — 6°F — 5°F — 4°F — 3°F — 2°F — 1°F — 0°F — -1°F — -2°F
-11°F — -10°F — -9°F — -8°F — -7°F — -6°F — -5°F — -4°F — -3°F ←

If you have set the temperature type to Celsius, the temperature settings cycle from -14°C to -24°C.

→ -14°C — -15°C — -16°C — -17°C — -18°C —
-24°C — -23°C — -22°C — -21°C — -20°C — -19°C ←

4. Super Cool

Super Cool can refrigerate the food quicker and keep food fresh for a longer period. This is useful to activate before inserting a large amount of warm/room temperature food.

- Press the "MODE" button to activate this function. The "Super Cool" icon will be illuminated and the fridge temperature indicator will display 34°F (1°C).
- Super Cool will automatically turn off after 3 hours.
- When super Cool function is on you can turn it off by pressing the "MODE" or setting fridge temperature. To manually turn off the Super Cool function, the fridge temperature setting will revert back to the previous setting.

5. Energy saving



Press the "MODE" button to turn on the energy saving function, the "Energy saving" icon will be illuminated.

- When the energy saving function is on, the temperature of fridge is automatically switched to 43°F (6°C) and the temperature of freezer is automatically switched to 1°F (-17°C).

- When energy saving function is on you can switch it off by pressing the "MODE" or "TEMP." button and the refrigerator temperature setting will revert back to the previous setting.

6. Super Freeze



Super Freeze will quickly lower the temperature within the freezer so food will freeze faster than usual. This feature also helps to keep vitamins and nutrition of fresh food fresh for longer period.

- Press the "MODE" button to activate this function. The "Super Freeze" icon will be illuminated and the temperature for the freezer is set to -11°F (-24°C).

- Super freezer will automatically turn off after 52 hours.


- When Super Freeze function is on you can turn it off by pressing by pressing the "MODE" or setting freezer temperature. To manually turn off the Super freezer function, the freezer temperature setting will revert back to the previous setting.

NOTE: When you selecting the Super Freeze function, ensure there are no bottled or canned drinks (especially carbonated drinks) in the freezer compartment. Bottles and cans may explode.

7. POWER



POWER
Hold 3sec

Press and hold the "POWER" button for three seconds to turn the power function on or off. When the power function is on, the  icon lights and the display board will show "OF".

NOTE:

When the power function is on, the refrigerator is stopped cooling.

8. Door Alarm

- When the door of fridge or freezer is open over 2 minutes, the control panel will show "dr". The door alarm will turn off about 8 minutes later.

- To save energy, don't keep the door open for a long time when using refrigerator. In case of door alarm, it can clear door alarm by closing the doors.

9. Demo mode

- Demo Mode is for store displaying only.

- In this mode, the light and the display operation is normal, but the refrigerator is not cooling. When the refrigerator is in the Demo Mode, if consumers open the door or no keys operation for 30 seconds with the door opened, the temperature control panel will show as follow from A to F.



- To exit this mode, you could press the leftmost key and the rightmost key at the same time for 3 seconds, then you can see the whole control panel light up for 1 second.

NOTE: The Demo Mode stays on even if the refrigerator powers off. If the consumers enter the mode with unintentional operation, you should exit it as soon as possible, since the refrigerator will not cool in this mode, which will cause the food going bad.

Using your Refrigerator

This section tells you how to use most of the useful features. We recommend that you read through them carefully before using the appliance.

1. Using your refrigerator compartment

The refrigerator compartment is suitable for storage of vegetables and fruit. Food inside should be packed to store in order to avoid losing moisture or flavor permeating into other foods.

CAUTION

Never close the refrigerator door while the shelves, crisper and/or telescopic slides are extended. It may damage both them and the refrigerator.

Glass shelves and Door racks

The refrigerator compartment is provided with several glass shelves and several different door racks, which are suitable for the storage of eggs, canned liquid, bottled drinks and packed food. They can be placed at different heights according to your need. However, do not place too many heavy things in racks. Before you lift up the door bin vertically, please take the food out.



Drawer

This is suitable for storage of fruits and vegetables. And it can be taken out to be cleaned. To take it out, open the door to the final location first. Then pull out the drawer and tilt up the front of the crisper after moving slightly in the direction.

2. Using the freezer compartment

The freezer compartment is provided with an upper drawer and a lower drawer. To remove all of them, refer to page 9 for disassembly instruction.

Cleaning and Care

For hygienic reasons the appliance (including exterior and interior accessories) should be cleaned at least every two months.

CAUTION

The appliance must not be connected to the wall outlet during cleaning. Danger of electrical shock! Before cleaning, switch the appliance off and remove the plug from the wall outlet socket.

Exterior cleaning

To maintain good appearance of your appliance, you should clean it regularly.

Spray water onto a cleaning cloth instead of spraying directly on the surface of the appliance. This helps ensure an even distribution of moisture to the surface.

Clean the doors, handles and cabinet surfaces with a mild detergent and then wipe dry with a soft cloth.

CAUTION

Don't use sharp objects to clean with, as they are likely to scratch the surface.

Don't use Thinner, Car detergent, bleach, ethereal oil, abrasive cleansers or organic solvent such as Benzene for cleaning. They may damage the surface of the appliance and may cause fire.

Interior cleaning

You should clean the appliance interior regularly. It will be easier to clean when food stocks are low. Wipe the inside of the fridge freezer with a weak solution of baking soda and water, and then rinse with warm water using a wrung-out sponge or cloth. Wipe completely dry before replacing the shelves and baskets. Thoroughly dry all surfaces and removable parts before putting them back into place. Although this appliance automatically

defrosts, a layer of frost may occur on the freezer compartments interior walls if the freezer door is opened frequently or kept open too long. If the frost is too thick, choose a time when the freezer is nearly empty and proceed as follows:

1. Remove existing food and accessories baskets, unplug the appliance from the main power and leave the doors open. Ventilate the room thoroughly to accelerate the process.
2. When defrosting is completed, clean your freezer as described above.

WARNING

Do not use sharp objects to remove frost from the freezer compartment. Only after the interior is completely dry should the appliance be switched back on and plugged back into the main socket.

Door gasket cleaning

Take care to keep door gasket clean. Sticky food and drinks can cause gasket to stick to the cabinet and tear when you open the door. Wash gasket with a mild detergent and warm water. Rinse and dry it thoroughly after cleaning.

CAUTION

Only after the door seals are completely dry should the appliance be powered on

Replacing the LED light

Warning: The LED light must be replaced by a competent person. If the LED light is damaged, follow the steps below:

1. Unplug your appliance.
2. Remove light cover by rising up and pulling out the LED light.
3. Hold the LED light with one hand and pull it with the other hand while pressing the connector latch.
4. Replace LED light and snap it correctly in place and recover the light cover.

Helpful Hints and Tips

Energy Saving Tips

We recommend that you follow the tips below to save energy.

Try to avoid keeping the door open for long periods in order to conserve energy. Ensure the appliance is away from any sources of heat (direct sunlight, electric oven or cooker etc.)

Don't set the temperature colder than necessary.

Don't store warm food or evaporating liquid in the appliance.

Place the appliance in a well ventilated, humidity free, room. Please refer to Installing your New Appliance chapter.

If the diagram shows the correct combination for the drawers, crisper and shelves, do not adjust the combination as this is designed to be the most energy efficient configuration.

Hints for fresh food refrigeration

Do not place hot food directly into the refrigerator or freezer, the internal temperature will increase resulting in the compressor having to work harder and will consume more energy.

Do cover or wrap the food, particularly if it has a strong flavor.

Place food properly so that air can circulate freely around it.

Hints for refrigeration

For Meat: (all types) wrap in cling wrap and place on the glass shelf above the vegetable drawer. Always follow food storage times and use by dates suggested by manufacturers.

Cooked food, cold dishes, etc.: They should be covered and placed on any shelf.

Fruit and vegetables: They should be stored in the special drawer provided.

Butter and cheese: Should be wrapped in airtight foil or plastic film wrap.

Milk bottles: Should have a lid and be stored in the door racks.

Hints for freezing

When first starting-up or after a period out of use, let the appliance run at least 2 hours on the higher settings before putting food in the compartment.

Prepare food in small portions to enable it to be rapidly and completely frozen and to make it possible to subsequently thaw only the quantity required.

Wrap up the food in aluminum foil or cling wraps which are airtight.

Do not allow fresh, unfrozen food to touch the food which is already frozen to avoid temperature rise of the latter.

Iced products, (ice cubes, popsicles): if consumed immediately after removal from the freezer compartment, will probably cause frost burns to the skin.

It is recommended to label and date each frozen package in order to keep track of the storage time.

Hints for the storage of frozen food

Ensure that frozen food has been stored correctly by the food retailer

Once defrosted, food will deteriorate rapidly and should not be re-frozen. Do not exceed the storage period indicated by the food manufacturer.

Switching off your appliance

If the appliance needs to be switched off for an extended period, the following steps should be taken prevent mold on the appliance.

1. Remove all food.
2. Remove the power plug from the main socket.
3. Clean and dry the interior thoroughly.
4. Ensure that all the doors are wedged open slightly to allow air to circulate

Troubleshooting

If you experience a problem with your appliance or are concerned that the appliance is not functioning correctly, you can carry out some easy checks before calling for service, please see below.

WARNING

1. Don't try to repair the appliance yourself. If the problem persists after you have made the checks mentioned below, contact a qualified electrician, authorized service engineer or the shop where you purchased the product.
2. A child entrapment warning statement is included in either the operating instructions or in a use and care manual provided with each refrigerator.

Problem	Possible Cause & Solution
Appliance is not working correctly	Check whether the power cord is plugged into the power outlet properly.
	Check the fuse or circuit of your power supply, replace if necessary.
	The ambient temperature is too low. Try setting the chamber temperature to a colder level to solve this problem.
	It is normal that the freezer is not operating during the defrost cycle, or for a short time after the appliance is switched on to protect the compressor.
Odours from the compartments	The interior may need to be cleaned
	Some food, containers or wrapping cause odours.
Noise from the appliance	<p>The sounds below are quite normal:</p> <ul style="list-style-type: none"> Compressor running noises. Air movement noise from the small fan motor in the freezer compartment or other compartments. Gurgling sound similar to water boiling. Popping noise during automatic defrosting. Clicking noise before the compressor starts. Clicking noise when you get the water. The motor running noises when you get ice.
	<p>Other unusual noises are due to the reasons below and may need you to check and take action:</p> <ul style="list-style-type: none"> The cabinet is not level. The back of appliance is touching the wall. Bottles or containers have fallen or are rolling.

<p>The motor runs continuously</p>	<p>It is normal to frequently hear the sound of the motor, it will need to run more when in following circumstances: Temperature setting is set colder than necessary Large quantity of warm food has recently been stored within the appliance. The temperature outside the appliance is high. Doors are kept open too long or too often. After installing the appliance or it has been switched off for a long time.</p>
<p>A layer of frost occurs in the compartment</p>	<p>Check that the air outlets are not blocked by food and ensure food is placed within the appliance to allow sufficient ventilation. Ensure that door is fully closed. To remove the frost, please refer to the Cleaning and Care chapter.</p>
<p>Temperature inside is too warm</p>	<p>You may have left the doors open too long or too frequently; or the doors are kept open by some obstacle; or the appliance is located with insufficient clearance at the sides, back and top</p>
<p>Temperature inside is too cold</p>	<p>Increase the temperature by following the Display Controls chapter.</p>
<p>Doors cant be closed easily</p>	<p>Check whether the top of the refrigerator is tilted back by 10-15mm to allow the doors to self-close, or if something inside is preventing the doors from closing.</p>
<p>The light is not working</p>	<p>The LED light may be damaged. Refer to replace LED lights in Cleaning and Care chapter. The control system has disabled the lights due to the door being kept open too long. Close and reopen the door to reactivate the lights.</p>
<p>Hear water bubbling in the refrigerator</p>	<p>This is normal. The bubbling comes from the refrigerant coolant liquid circulating through the refrigerator.</p>

About the ice maker

PROBLEM	POSSIBLE CAUSE(S)	SOLUTION
<p>The ice maker is not producing ice, enough ice, or cubes are hollow.</p>	<p>Ice maker is not turned on</p>	<p>Press and hold "ICE" key on the panel to turn On/Off the ice maker. See "Display Controls."</p>
	<p>New installation</p>	<p>Wait 24 hours after installation for ice production to begin.</p>
	<p>Kink in the water line</p>	<p>Straighten the water supply line.</p>
	<p>Inadequate water pressure</p>	<p>Contact a licensed, qualified plumber.</p>

Disposal of the appliance

DANGER

It is prohibited to dispose of this appliance as household waste.

Packaging materials

Packaging materials with the recycle symbol are recyclable. Dispose of the packaging into a suitable waste collection container to recycle it.

Before disposal of the appliance


1. Pull out the main plug from the main socket.
2. Cut off the power cord and discard with the main plug.

WARNING

Potential Suffocation Hazard! Potential death or brain damage could occur. Remove doors to prevent potential suffocation.

1. To prevent potential suffocation hazard, remove your old refrigerators doors completely immediately. Leave shelves installed to help block children from climbing on or getting inside.
2. When disposing of the appliance do so only at an authorized waste disposal center. Do not expose to flame.

Refrigerators contain refrigerant and gases in the insulation. Refrigerant and gases must be disposed of professionally as they may cause eye injuries or ignition. Ensure that tubing of the refrigerant circuit is not damaged prior to proper disposal

Correct Disposal of this product	
	<p>This symbol on the product or in its packing indicates that this product may not be treated as household waste. Instead, it should be taken to the appropriate waste collection point for the recycling of electrical and electronic equipment. By ensuring this product is disposed of correctly, you will help prevent potential negative consequences for the environment and human health, which could otherwise be caused by the inappropriate waste handling of this product. For more detailed information about the recycling of this product, please contact your local council, your household waste disposal service, or the shop where you purchased the product.</p>

WARNING: This product can expose you to chemicals including [Lead &

Lead Compounds], which is [are] known to the State of California to cause cancer, birth defects and / or reproductive harm. To minimize exposure to these substances. Always operate this unit according the Owner's Manual, and ensure that you provide proper ventilation. For more information go to www.P65Warnings.ca.gov

Warranty

What this limited warranty covers:

The Warranty coverage provided by Forno Appliances in this statement applies exclusively to the original Forno appliance ("Product") sold to the consumer ("Purchaser") by an authorized Forno dealer/distributor/retailer, purchased and installed in the United States or Canada, and which has always remained within the original country of purchase (the United States or Canada). Warranty coverage is activated on the date of the Product's original retail purchase and has a duration of two (2) years.

Warranty coverage is non-transferable. In the event of replacement of parts or of the entire product, the replacement Product (or parts) shall assume the remaining original Warranty activated with the original retail purchase document. This Warranty shall not be extended with respect to such replacement. Forno Appliances will repair or replace any component/part which fails or proves defective due to materials and/or workmanship within 2 years of the date of the original retail purchase and under conditions of ordinary residential, non-commercial use. Repair or replacement will be free of charge, including labor at standard rates and shipping expenses. Purchaser is responsible for making the Product reasonably accessible for service. Repair service must be performed by a Forno Authorized Service company during normal working hours.

IMPORTANT

Retain proof of original purchase to establish warranty period. Forno's liability on any claim of any kind, with respect to the goods and/or services provided, shall in no event exceed the value of the goods or service or part there of which has given rise to the claim.

30-Day Cosmetic Warranty

The Purchaser must inspect the product at the time of delivery. Forno warrants that the Product is free from manufacturing defects in materials and workmanship for a period of thirty (30) days from date of the original retail purchase of the Product.

This coverage includes:

- Paint blemishes
- Chips
- Macroscopic finish defects

Cosmetic warranty does NOT cover:

- > issues resulting from incorrect transport, handling and/or installation (e.g.: dents, broken, warped or deformed structures or components, cracked or otherwise damaged glass components);
- > slight color variations on painted/enameled components;
- > differences caused by natural or artificial lighting, location or other analogous factors;
- > stains/corrosion/discoloration caused by external substances and/or environmental factors;
- > labor costs, display, floor, B-stock, out- of-box, "as is" appliances and demo units.

How to receive service

To receive warranty services, the Purchaser must contact the Forno Support department in order to determine the problem and the required service procedures. Troubleshooting with a customer service representative will be necessary before moving forward with the service. Model number, serial number and date of original retail purchase will be requested.

Warranty Exclusions: What Is Not Covered.

- > Use of the Product in any non-residential, commercial application.
- > Use of the Product for anything other than its intended purpose.
- > Repair services provided by anyone other than a Forno Authorized Service agency.
- > Damages or repair services to correct services provided by unauthorized parties or the use of unauthorized parts.
- > Installation not in accordance with local/state/city/county fire codes, electrical codes, gas codes, plumbing codes, building codes, laws or regulations.
- > Defects or damage due to improper storage of the Product.
- > Defects, damage or missing parts on products sold out of the original factory packaging or from displays.
- > Service calls or repairs to correct an incorrect installation of the Product and/or related accessories.
- > Replacement of parts/service calls to connect, convert or otherwise repair the electrical wiring and/or gas line in order to properly use the product.
- > Replacement of parts/service calls to provide instructions and information on the use of the Product.
- > Replacement of parts/service calls to correct issues arising from the product being used in a manner other than what is normal and customary for residential use.
- > Replacement of parts/service calls due to wear and tear of components such as seals, knobs, pan supports, shelving, cutlery baskets, buttons, touch displays, scratched or broken ceramic-glass tops.
- > Replacement of parts/service calls for lack of/improper maintenance, including but not limited to: build up of residues, stains, scratches, discoloration, corrosion.
- > Defects and damages arising from accidents, alteration, misuse, abuse or improper installation.
- > Defects and damages arising from Product transport, logistics and handling. Inspection of the product must be made at time of delivery. Following receipt and inspection, the selling dealer/delivery company must be notified of any issues arising from handling, transport and logistics.
- > Defects and damages arising from external forces beyond the control of Forno Appliances, including but not limited to wind, rain, sand, fires, floods, mudslides, freezing temperatures, excessive moisture or extended exposure to humidity, power surges, lightning, structural failures surrounding the appliance and other acts of God.
- > Products whose serial number has been altered/damaged/tampered with. In no case shall Forno be held liable or responsible for damage to surrounding property, including furniture, cabinetry, flooring, panels, and other structures surrounding the Product. Forno is neither liable nor responsible for the Product if it is located in a remote area or an area where certified trained technicians are not reasonably available. Purchaser must bear any transportation and delivery costs of the Product to the nearest Authorized Service Center or the additional travel expenses of a certified trained technician

THERE ARE NO EXPRESS WARRANTIES OTHER THAN THOSE LISTED AND DESCRIBED ABOVE, AND NO WARRANTIES, EITHER EXPRESS OR IMPLIED, INCLUDING, BUT NOT LIMITED TO, ANY IMPLIED WARRANTIES OF MERCHANTABILITY OR FITNESS FOR A PARTICULAR PURPOSE THAT SHALL APPLY AFTER THE EXPRESS WARRANTY PERIODS STATED ABOVE, AND NO OTHER EXPRESS WARRANTY OR GUARANTEE GIVEN BY ANY PERSON, FIRM OR CORPORATION WITH RESPECT TO THIS PRODUCT SHALL BE BINDING ON FORNO. FORNO SHALL NOT BE LIABLE FOR LOSS OF REVENUE OR PROFITS, FAILURE TO REALIZE SAVINGS OR OTHER BENEFITS, TIME AWAY FROM WORK, MEALS, LOSS OF FOOD OR BEVERAGES, TRAVELING OR HOTEL EXPENSES, EXPENSES TO RENT OR PURCHASE APPLIANCES, REMODELING/CONSTRUCTION EXPENSES IN EXCESS OF DIRECT DAMAGES WHICH ARE UNDENIABLY CAUSED EXCLUSIVELY BY FORNO OR ANY OTHER SPECIAL, INCIDENTAL OR CONSEQUENTIAL DAMAGES CAUSED BY THE USE, MISUSE OR INABILITY TO USE THIS PRODUCT, REGARDLESS OF THE LEGAL THEORY ON WHICH THE CLAIM IS BASED, AND EVEN IF FORNO HAS BEEN ADVISED OF THE POSSIBILITY OF SUCH DAMAGES. NOR SHALL RECOVERY OF ANY KIND AGAINST FORNO BE GREATER IN AMOUNT THAN THE PURCHASE PRICE OF THE PRODUCT SOLD BY FORNO AND CAUSING THE ALLEGED DAMAGE. WITHOUT PREJUDICE TO THE FOREGOING, PURCHASER ASSUMES ALL RISK AND LIABILITY FOR LOSS, DAMAGE OR INJURY TO PURCHASER AND PURCHASER'S PROPERTY AND TO OTHERS AND THEIR PROPERTY ARISING FROM THE USE, MISUSE, OR INABILITY TO USE THIS PRODUCT SOLD BY FORNO THAT IS NOT A DIRECT RESULT OF NEGLIGENCE ON THE PART OF FORNO THIS LIMITED WARRANTY SHALL NOT EXTEND TO ANYONE OTHER THAN THE ORIGINAL PURCHASER OF THIS PRODUCT, IS NON-TRANSFERABLE, AND STATES YOUR EXCLUSIVE REMEDY.



FORNO
Espresso



FFFFD1785-31S/FFFFD1785-31WHT/FFFFD1785-31BLK
Réfrigérateur Sans Givre Forno de 17.2 pi³

**AVANT TOUTE UTILISATION, VEUILLEZ LIRE ET RESPECTER TOUTES
LES RÈGLES DE SÉCURITÉ ET LES INSTRUCTIONS D'UTILISATION.**

09/2023

SERVICE À LA CLIENTÈLE

Merci d'avoir acheté un produit **FORNO**. Veuillez lire le manuel d'utilisation en entier avant la première utilisation. Que vous soyez un utilisateur occasionnel ou averti, vous aurez avantage à vous familiariser avec les mesures de sécurité, les caractéristiques, le fonctionnement et les recommandations d'entretien et de nettoyage de votre appareil.

Le numéro de modèle et le numéro de série sont indiqués à l'intérieur de l'appareil. Pour fins de garantie, vous aurez besoin du numéro de série, de la date d'achat et d'une copie de votre preuve d'achat. Notez l'information ci-dessous pour référence ultérieure.

INFORMATION À FOURNIR POUR TOUTE RÉPARATION

Numéro de modèle :

Utilisez ces numéros pour toute correspondance ou pour tout appel au service des réparations concernant votre appareil.

Numéro de série :

Si vous avez reçu un appareil endommagé, communiquez immédiatement **FORNO**.

Économisez temps et argent. Avant tout appel de réparation, vérifiez le guide de dépannage. Vous y trouverez une liste des causes de problèmes mineurs que vous pouvez réparer vous-même.

Date d'achat :

Adresse et numéro de téléphone où l'appareil a été acheté :

POUR UNE RÉPARATION AU CANADA & AUX ÉTATS-UNIS :

Conservez ce manuel d'instruction à portée de main si vous avez des doutes. Vous pouvez retrouver tous les infomation en ligne www.forno.ca.

Pour plus de précision ou si vous avez besoin d'aide, veuillez communiquer avec notre service à la clientèle à : mysupport@forno.ca

En cas de problème, veuillez contacter le service client FORNO. Veuillez noter que le "*troubleshooting*" avec un représentant du service à la clientèle sera nécessaire avant de pouvoir envoyer un technicien. Tous les travaux sous garantie doivent être autorisés par le service client FORNO. Tous nos prestataires de services agréés sont soigneusement sélectionnés et rigoureusement formés par FORNO.

Table des Matières

I Instructions Importantes	4
I Vue d'Ensemble du Réfrigérateur	7
I Installation de votre nouvel appareil	8
I Commandes de l'écran	11
I Utilisation de votre appareil	13
I Entretien et nettoyage	15
I Conseils utiles	15
I Dépannage	16
I Disposition de l'appareil	18
I GARANTIE	19

I Instructions Importantes

Lisez et suivez tous les messages de sécurité. Conservez ces instructions.



Ce symbole d'alerte de sécurité vous aidera à comprendre les situations et les dangers qui peuvent causer des blessures ou la mort.

AVERTISSEMENT

L'alerte AVERTISSEMENT signifie une situation potentiellement dangereuse. Des blessures graves ou la mort peuvent survenir si elles ne sont pas évitées.

DANGER

L'alerte DANGER signifie une situation dangereuse imminente. Des blessures graves ou la mort peuvent survenir si elles ne sont pas évitées.

ATTENTION

L'alerte ATTENTION signifie une situation potentiellement dangereuse. Des blessures modérées ou mineures peuvent survenir si elles ne sont pas évitées.

AVERTISSEMENT

1. Veuillez-vous assurer que toutes les personnes qui utilisent cet appareil connaissent bien ses opérations et ses caractéristiques de sécurité. Cet appareil n'est pas destiné à être utilisé par des personnes (y compris des enfants) ayant des capacités physiques, sensorielles ou mentales réduites, à moins d'être supervisées ou d'être correctement instruites.

2. Cet appareil est destiné à être utilisé dans les ménages résidentiels et des applications similaires.

3. Gardez les substances explosives et inflammables loin de l'unité. Ne pas entreposer des substances similaires dans le réfrigérateur.

4. Débranchez l'alimentation avant d'entretenir ou d'installer une machine à glaçons.

5. Utilisez un nettoyeur ininflammable.

6. Utilisez 2 personnes ou plus pour retirer l'ancienne unité et installer cette unité.

7. N'utilisez pas de dispositifs mécaniques ou d'autres moyens pour accélérer le processus de dégivrage, autres que ceux recommandés par le fabricant.

8. N'endommagez pas le circuit de réfrigérant.

9. N'utilisez pas d'appareils électriques à l'intérieur des compartiments d'entreposage des aliments, à moins qu'ils ne soient du type recommandé par le fabricant.

10. N'utilisez pas de rallonge ou d'adaptateurs non mis à la terre (à deux broches).

Si le cordon d'alimentation est endommagé, il doit être remplacé par le fabricant, son agent de service ou des personnes ayant des qualifications similaires pour éviter un danger.

11. Gardez les ouvertures de ventilation, dans l'enceinte de l'appareil ou dans la structure intégrée, à l'écart de toute obstruction.

DANGER

Pour éviter les risques qui sont toujours présents lors de l'utilisation d'un appareil électrique, nous vous recommandons de faire attention aux instructions sur l'électricité ci-dessous.

1. L'appareil nécessite une alimentation monophasée de 115V / 60Hz. Il dispose d'un cordon d'alimentation doté d'une prise de mise à la terre à 3 broches qui minimise la possibilité de choc électrique. Cet appareil doit être mis à la terre. Ne retirez pas la broche de mise à la terre et ne modifiez pas la prise d'alimentation.
2. L'appareil doit être branché à une prise électrique dédiée qui répond à toutes les normes et exigences actuelles. Ne branchez rien d'autre dans la même prise et assurez-vous que l'appareil est la seule chose branchée sur l'ensemble du circuit. Il devrait avoir son propre disjoncteur dédié. Sinon, cela peut surcharger le circuit et provoquer un incendie.
3. Ne modifiez pas la prise d'alimentation. La prise d'alimentation doit être accessible lors de l'installation de l'appareil.
4. L'appareil ne doit pas être éteint avec un interrupteur ou un autre appareil.
5. Assurez-vous que la fiche n'est pas écrasée ou endommagée. Sinon, il peut provoquer un court-circuit, un choc électrique ou une surchauffe et même provoquer un incendie.
6. N'insérez pas la fiche d'alimentation si la prise est desserrée, il y a un risque de choc électrique ou d'incendie.
7. Éteignez l'appareil et débranchez-le de l'alimentation principale avant de le nettoyer ou de le déplacer.
8. Ne débranchez jamais l'appareil en tirant sur le cordon électrique. Saisissez toujours fermement la fiche et tirez directement de la prise pour éviter d'endommager le cordon d'alimentation.
9. Ne pas faire fonctionner l'appareil sans le couvercle sur l'éclairage intérieur.

10. Tout composant électrique doit être remplacé ou réparé par un électricien qualifié ou un ingénieur d'entretien autorisé. Seules les pièces de rechange d'origine doivent être utilisées.

11. Pour éviter les blessures aux yeux, ne regardez pas directement dans la lumière LED située dans le compartiment du réfrigérateur. S'il ne fonctionne pas correctement, consultez un électricien qualifié et agréé ou remplacez-le conformément au chapitre de nettoyage et d'entretien.

12. L'isobutène réfrigérant (R600a) est contenu dans le circuit de réfrigérant de l'appareil. Pendant le transport et l'installation de l'appareil, assurez-vous qu'aucun des composants du circuit de réfrigérant n'est endommagé. Le réfrigérant (R600a) est inflammable.

13. Risque de piégeage de l'enfant. Avant de jeter votre ancien appareil :

Enlevez les portes

Laissez les étagères en place afin que les enfants ne puissent pas facilement grimper à l'intérieur.

ATTENTION

1. N'entreposez pas des produits qui contiennent des propergols inflammables (p. ex. bombes aérosols) ou des substances explosives dans les appareils.
2. Évitez les flammes nues (bougies, lampes, etc.) et les sources d'inflammation.
3. Aérez soigneusement la pièce dans laquelle se trouve l'appareil.
4. Déballiez et vérifiez à travers l'appareil Si des dommages sont évidents, ne branchez pas l'appareil, mais contactez immédiatement le magasin auprès duquel vous l'avez acheté. Gardez tous les matériaux d'emballage dans ce cas.
5. Nous vous recommandons d'attendre 4 heures avant de connecter l'appareil pour permettre au réfrigérant de s'écouler dans le compresseur.

Sécurité générale et utilisation quotidienne

Il est important d'utiliser votre appareil en toute sécurité. Nous vous recommandons de suivre les directives ci-dessous.

Nous vous recommandons de conserver ce manuel d'utilisation avec l'appareil pour référence future.

Cet appareil est destiné à être utilisé dans les ménages et des applications similaires telles que:

- Personnel cuisine-zones dans les magasins, bureaux, et d'autres environnements de travail.
- Clients dans les hôtels, motels et autres types d'environnement résidentiel;
- Types d'environnements de type « *bed and breakfast* »;
- Restauration et applications similaires non-vente au détail.

Manque d'expérience et de connaissances à moins qu'ils n'aient la supervision ou qu'ils n'aient reçu des instructions concernant l'utilisation de l'appareil. Les enfants devraient être supervisés pour s'assurer qu'ils ne jouent pas avec l'appareil.

Entreposer tout aliment conformément aux instructions d'entreposage du fabricant.

N'essayez pas de réparer l'appareil vous-même. Il est dangereux de modifier les spécifications ou de modifier ce produit de quelque manière que ce soit. Tout dommage au cordon d'alimentation peut provoquer un court-circuit, un incendie ou un choc électrique.

Ne placez pas trop de nourriture directement contre la sortie d'air sur la paroi arrière du réfrigérateur et du compartiment congélateur, car cela affecte une circulation d'air suffisante.

Ne placez pas d'articles chauds près des composants en plastique de cet appareil.

Les aliments congelés ne doivent pas être regelés une fois qu'ils ont été décongelés.

N'entreposez pas les boissons embouteillées ou en conserve (en particulier les boissons gazeuses) dans le compartiment congélateur. Les bouteilles et les canettes peuvent exploser.

Soyez prudent lorsque vous consommez des sucettes glacées ou des glaçons directement du congélateur, car cela peut causer des brûlures au congélateur à la bouche et aux lèvres.

Sécurité pour les enfants et les personnes infirmes

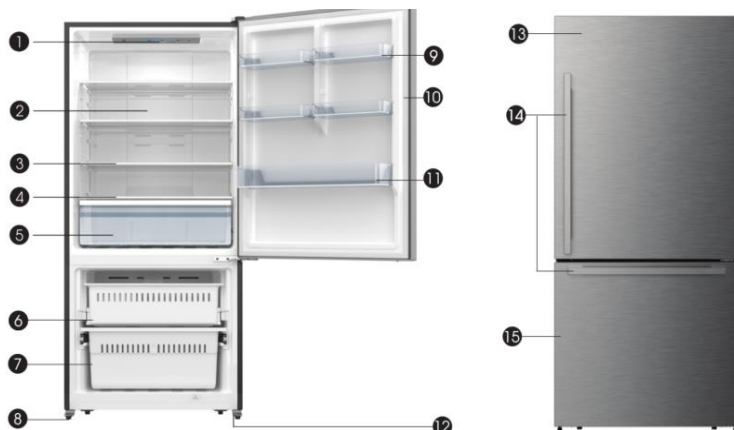
Gardez tous les emballages à l'écart des enfants pour éviter les risques de suffocation.

Protégez les enfants contre l'échaudure en touchant le compresseur au bas arrière de l'appareil.

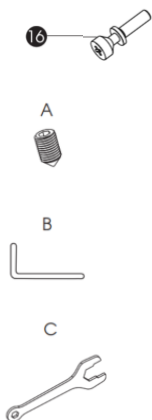
Ne placez pas les articles sur le dessus de l'appareil car cela pourrait causer des blessures s'ils tombent.

Ne laissez jamais les enfants jouer avec l'appareil en accrochant ou en se tenant debout au-dessus ou sur les portes, les étagères, les étagères et les tiroirs, etc.

I Vue d'Ensemble du Réfrigérateur



- | | | | |
|-------------------------------|----------------------------------|-----|--------------------------------|
| 1. | Panneau d'affichage | 8. | Pieds inférieurs réglables |
| 2. | Conduit d'air | 9. | Bac de porte demi-largeur (x4) |
| 3. | Étagère en verre | 10. | Joint de porte |
| 4. | Couvercle du bac à légumes | 11. | Bac de porte pleine largeur |
| 5. | Tiroir du bac à légumes | 12. | Roulette |
| 6. | Tiroir supérieure du congélateur | 13. | Porte du réfrigérateur |
| 7. | Tiroir inférieure du congélateur | 15. | Porte du congélateur |
| Contenu de l'emballage | | 16. | Supports de poignée (x4) |



- 14.** Poignée (x2) (x2)
 -Poignée longue pour la porte du réfrigérateur, avec vis (x2) assemblées
 -Poignée courte pour la porte du congélateur, avec vis (x2) assemblées

Pièces de rechange, vis supplémentaires
 A. -Vis à tête cylindrique à six pans creux (x2)

Outil d'assemblage :
B. -Clé Allen 1/8"
C. -Clé à molette 7/8"

⚠ REMARQUE

- En raison des modifications constantes apportées à nos produits, votre réfrigérateur peut être légèrement différent de ce manuel d'instructions, mais ses fonctions et ses méthodes d'utilisation restent les mêmes,
- Pour obtenir la meilleure efficacité énergétique de ce produit, veuillez placer toutes les étagères, tous les tiroirs et tous les paniers dans leur position d'origine, comme sur l'illustration ci-dessus.

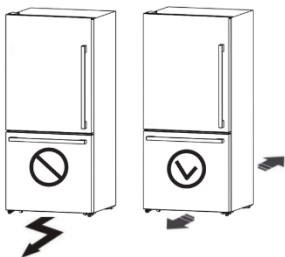
I Installation de votre nouvel appareil

Avant d'utiliser l'appareil pour la première fois, il convient de prendre connaissance des conseils suivants.

⚠ Avertissement:

Pour une installation correcte, ce réfrigérateur doit être placé sur une surface plane en matériau dur de la même hauteur que le reste du sol. Cette surface doit être suffisamment solide pour supporter un réfrigérateur entièrement chargé.

Les rouleaux, qui ne sont pas des roulettes, ne doivent être utilisés que pour avancer ou reculer. Déplacer le réfrigérateur latéralement peut endommager le sol et les roulettes.



⚠ Ventilation de l'appareil

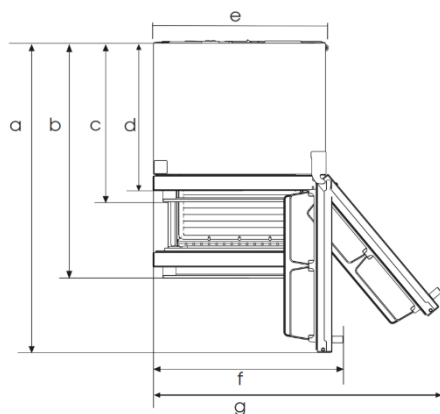
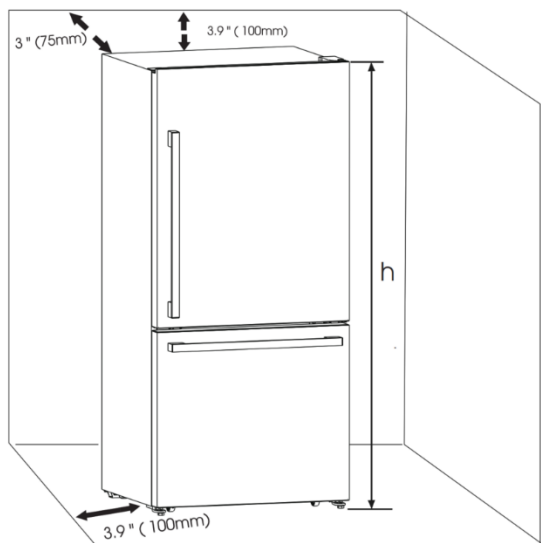
Afin d'améliorer l'efficacité du système de refroidissement et d'économiser de l'énergie, il est nécessaire de maintenir une bonne ventilation autour de l'appareil pour la dissipation de la chaleur. C'est pourquoi il faut prévoir un espace libre suffisant autour du réfrigérateur.

Suggestion

Il est conseillé de laisser un espace d'au moins 3 po (75mm) entre l'arrière du réfrigérateur et le mur, un espace d'au moins 3 15/16 po (100mm) au-dessus du réfrigérateur, un espace d'au moins 3 15/16 po (100mm) de son côté au mur et un espace libre à l'avant pour permettre aux portes de s'ouvrir à 130°. Comme indiqué dans les diagrammes.

Remarque :

- Cet appareil fonctionne bien à une température ambiante comprise entre 12,8 et 43,3 degrés Celsius. L'appareil peut ne pas fonctionner correctement s'il est laissé à une température supérieure ou inférieure à la plage indiquée.
- Placez votre appareil dans un endroit sec afin d'éviter une forte humidité.
- Gardez l'appareil à l'abri de la lumière directe du soleil, de la pluie ou du gel. Éloignez l'appareil des sources de chaleur telles que les cuisinières, les feux ou les chauffages.



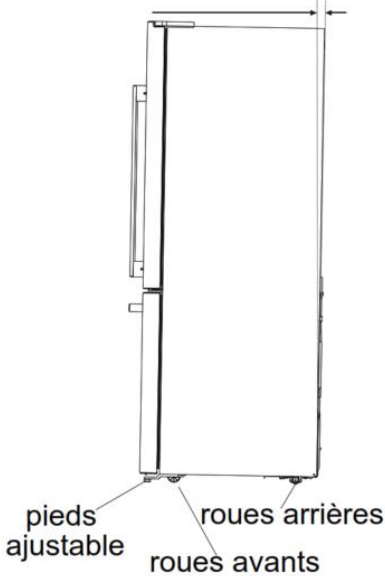
	dimension
a	56.3" (1430mm)
b	43.3" (1101mm)
c	29.1" (740mm)
d	26.6" (675.5mm)
e	31.1" (790mm)
f	34.3" (870mm)
g	52" (1321mm)
h	69.1" (1756mm)

Mise à niveau de l'appareil

• Pour assurer une mise à niveau et une circulation d'air suffisantes dans la partie arrière inférieure de l'appareil, il peut être nécessaire d'ajuster les pieds inférieurs. Vous pouvez les régler manuellement ou à l'aide d'un outil approprié.





• Pour permettre aux portes de se refermer automatiquement, inclinez la partie supérieure vers l'arrière de 3/8 à 5/8 po (10 à 15mm).

3/8" - 5/8" (10mm - 15mm)



réglage des pieds inférieurs

Outils dont vous pourriez avoir besoin

Non fourni		
	Tournevis Philips et tournevis à douille	Clé à douille (5/16 po, 8mm)
Fourni		
	Clé Allen (1/8 po, 3mm)	Clé à molette

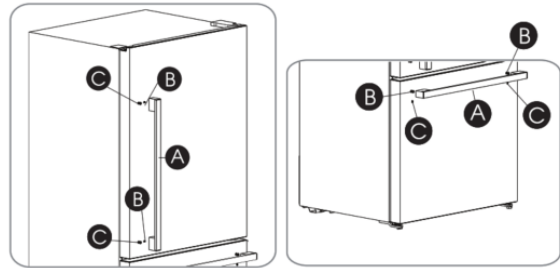
Installation des poignées

Avant d'utiliser l'appareil, vous devez installer les poignées fournies dans le compartiment réfrigérateur.

La plus longue est la poignée de la porte du réfrigérateur, la plus courte est la poignée de la porte du congélateur.

Veillez suivre les procédures ci-dessous pour installer et inverser la poignée.

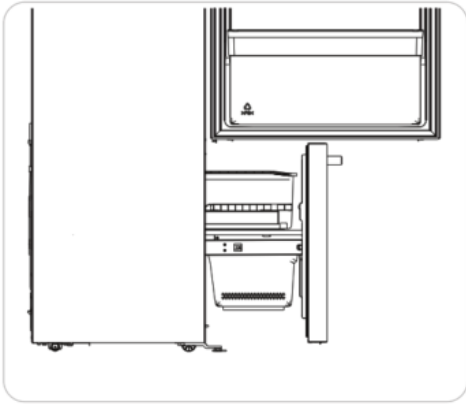
- Retirer les couvercles des trous de vis sur les portes, installer les supports de poignée (C). Placer la poignée (A) sur la porte par emboîter la poignée sur les supports de poignée (C), puis fixer les vis (B) à l'aide d'une clé Allen de 3 mm (fournie dans le sac en plastique).



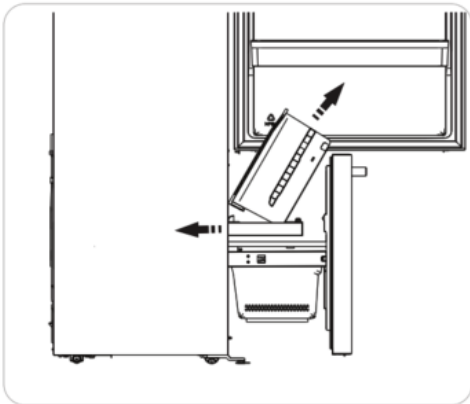
Retrait de la porte du congélateur

Si votre porte d'accès à la maison est trop étroite pour que le réfrigérateur passe, retirez les portes et les tiroirs du réfrigérateur comme suit.

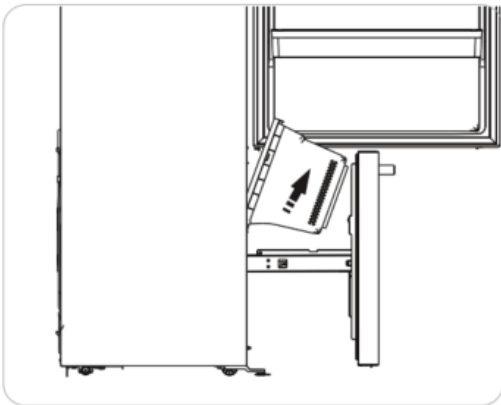
1. Tout d'abord, ouvrez la porte supérieure, puis sortez la porte du congélateur et le tiroir du congélateur supérieur à la position finale.



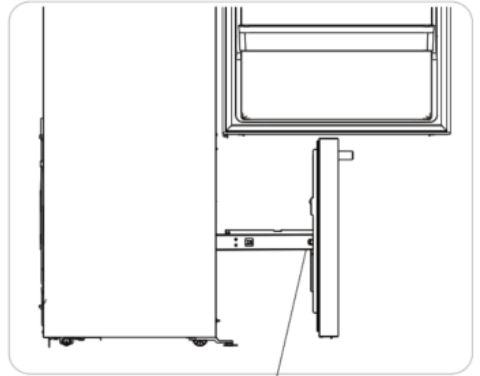
2. Retirer le tiroir de congélation supérieur en le soulevant du système de rails, puis repousser le système de rails.



3. Retirer le tiroir de congélation inférieur en le soulevant.

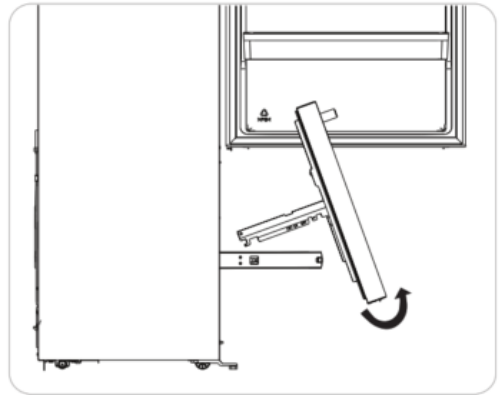


4. Retirez les 2 vis fixées au cadre et support.



vis à l'intérieur

5. Sortez la porte du congélateur et soulevez-la dans le sens de la flèche.



Remontage de la porte du congélateur

Pour remettre le tiroir en place après avoir déplacé l'appareil à son emplacement définitif, assemblez les pièces dans l'ordre inverse.

I Commandes de l'écran



Contrôle de la température

Lorsque vous mettez votre réfrigérateur en marche pour la première fois, nous vous recommandons de régler la température du réfrigérateur sur 4°C (39°F) et celle du congélateur sur -18°C (0°F). Si vous souhaitez modifier la température, suivez les instructions ci-dessous.

Attention ! Lorsque vous réglez une température, vous réglez une température moyenne pour l'ensemble de l'armoire frigorifique. Les températures à l'intérieur de chaque compartiment peuvent différer de la température affichée sur le panneau, en fonction de la quantité d'aliments que vous stockez et de l'endroit où vous les placez. La température ambiante peut également affecter la température réelle à l'intérieur de l'appareil.

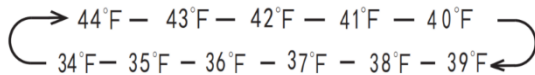
1. °F / °C

Pour alterner entre Celsius et Fahrenheit sur l'écran, appuyez sur la touche « TEMP » pendant trois secondes.

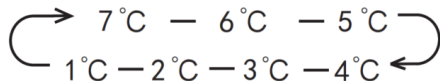


2. Réfrigérateur

Appuyez sur la touche « ZONE » jusqu'à ce que l'icône « Fridge » s'allume, puis appuyez sur la touche « TEMP » pour sélectionner un réglage de température. Si vous avez réglé le type de température sur Fahrenheit, les réglages de température s'échelonnent de 44°F à 34°F.



Si vous avez réglé le type de température sur Celsius, les réglages de température s'échelonnent de 7°C à 1°C.

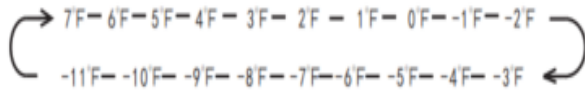


3. Congélateur

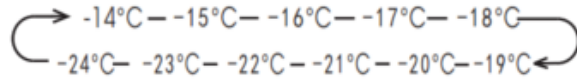


Appuyez sur la touche « ZONE » jusqu'à ce que l'icône « Freezer » s'allume, puis appuyez sur la touche « TEMP » pour sélectionner un réglage de température.

Si vous avez réglé le type de température sur Fahrenheit, les réglages de température vont de 7°F à -11°F.



Si vous avez réglé le type de température sur Celsius, les réglages de température s'échelonnent de -14°C à -24°C.



4. Super réfrigération



La fonction **Super Cool** permet de réfrigérer les aliments plus rapidement et de les garder frais plus longtemps. Il est utile d'activer cette fonction avant d'insérer une grande quantité d'aliments chauds ou à température ambiante.

- Appuyez sur la touche « MODE » pour activer cette fonction. L'icône « **Super Cool** » s'allume et l'indicateur de température du réfrigérateur affiche 34°F (1°C).

- La fonction **Super Cool** s'éteint automatiquement au bout de 3 heures.

- Lorsque la fonction **Super Cool** est activée, vous pouvez la désactiver en appuyant sur le bouton « MODE » ou en réglant la température du réfrigérateur. Pour désactiver manuellement la fonction **Super Cool**, il faut appuyer sur la touche « MODE » ou régler la température du réfrigérateur revient au réglage précédent.



5. Économie d'énergie

Appuyez sur le bouton "MODE" pour activer la fonction d'économie d'énergie, l'icône "Économie d'énergie" s'allume. Lorsque la fonction d'économie d'énergie est activée, la température du réfrigérateur est automatiquement réglée sur 6°C (43°F) et celle du congélateur sur -17°C (1°F). Lorsque la fonction d'économie d'énergie est activée, vous pouvez la désactiver en appuyant sur la touche "MODE" ou "TEMP." et la température du réfrigérateur reviendra au réglage précédent.



6. Super congélation


La fonction Super Freeze (super congélation) permet d'abaisser rapidement la température du congélateur afin de congeler les aliments plus rapidement que d'habitude. Cette fonction permet également de conserver plus longtemps les vitamines et les éléments nutritifs des aliments frais.

- Appuyez sur la touche "MODE" pour activer cette fonction. L'icône "Super Freeze" s'allume et la température du congélateur est réglée sur -24°C (-11°F).
- La fonction Super Freeze s'éteint automatiquement au bout de 52 heures.
- Lorsque la fonction Super Freeze est activée, vous pouvez la désactiver en appuyant sur la touche "MODE" ou en réglant la température du congélateur. Pour désactiver manuellement la fonction Super congélation, le réglage de la température du congélateur revient au réglage précédent.

REMARQUE : Lorsque vous sélectionnez la fonction Super congélation, assurez-vous qu'il n'y a pas de boissons en bouteille ou en canette (en particulier des boissons gazeuses) dans le compartiment congélateur. Les bouteilles et les canettes risquent d'exploser.

7. Alimentation POWER Hold 3 Sec

Appuyez sur la touche "POWER" et maintenez-la enfoncée pendant trois secondes pour activer ou désactiver la fonction d'alimentation.

Lorsque la fonction d'alimentation est activée,  l'icône s'allume et le tableau d'affichage indique "OF"

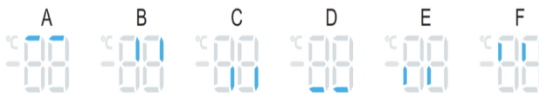
REMARQUE : Lorsque la fonction d'alimentation est activée, le réfrigérateur ne refroidit plus.

8. Alarme de porte

- - Lorsque la porte du réfrigérateur ou du congélateur est ouverte pendant plus de 2 minutes, le tableau de commande affiche " dr ". L'alarme de porte s'éteint environ 8 minutes plus tard.
- - Pour économiser de l'énergie, ne laissez pas la porte ouverte pendant longtemps lorsque vous utilisez le réfrigérateur. En cas d'alarme de porte, il est possible d'effacer l'alarme en fermant les portes.

9. Mode démo

- Le mode démo est réservé à la présentation du magasin.
- Dans ce mode, l'éclairage et l'affichage fonctionnent normalement, mais le réfrigérateur ne refroidit pas. Lorsque le réfrigérateur est en mode Démo, si les consommateurs ouvrent la porte ou si aucune touche n'est actionnée pendant 30 secondes avec la porte ouverte, le panneau de contrôle de la température s'affiche comme suit, de A à F.



Pour quitter ce mode, il suffit d'appuyer simultanément sur les touches de gauche et de droite pendant 3 secondes, puis de voir l'ensemble du panneau de commande s'allumer pendant 1 seconde.

REMARQUE : le mode démo reste activé même si le réfrigérateur est éteint. Si les consommateurs entrent dans ce mode par inadvertance, vous devez le quitter dès que possible, car le réfrigérateur ne refroidit pas dans ce mode, ce qui entraîne la détérioration des aliments.

I Utilisation de votre appareil

Comme indiqué dans la « Vue d'ensemble du réfrigérateur », votre appareil est livré avec divers accessoires. Pour vous assurer de les utiliser correctement, veuillez-vous référer à cette section du manuel d'instructions. Nous vous recommandons vivement de lire attentivement ces instructions avant d'utiliser l'appareil.

1. Utilisation du compartiment réfrigérateur

Le compartiment réfrigérateur convient à la conservation des légumes et des fruits. Les aliments qui s'y trouvent doivent être emballés pour éviter qu'ils ne perdent de l'humidité ou que leur saveur ne s'infilte dans d'autres aliments.

⚠ ATTENTION

Ne fermez jamais la porte du réfrigérateur lorsque les clayettes, le bac à légumes et/ou les glissières télescopiques sont déployées. Cela pourrait les endommager ainsi que le réfrigérateur.

Étagères en verre et compartiments de porte

Le compartiment réfrigérateur est équipé de plusieurs étagères en verre et de plusieurs compartiments de porte différentes, qui conviennent au stockage des œufs, des liquides en conserve, des boissons en bouteille et des aliments emballés. Elles peuvent être placées à différentes hauteurs en fonction de vos besoins. Toutefois, ne placez pas trop d'objets lourds dans les compartiments.

Avant de soulever verticalement les compartiments de porte, retirez les aliments.



Tiroir à légumes

Le tiroir à légumes est spécialement conçu pour conserver vos légumes et fruits frais et croquants pendant une plus longue période. Il crée un environnement de stockage idéal qui aide à maintenir l'humidité naturelle et la saveur de vos produits, tout en les protégeant des éléments externes susceptibles de les détériorer.

Pour le sortir, il faut d'abord ouvrir complètement la porte. Retirez ensuite le tiroir et inclinez l'avant du tiroir à légumes après l'avoir légèrement déplacé dans la direction voulue.

2. Utilisation du compartiment congélateur

Le compartiment congélateur est équipé d'un tiroir supérieur et d'un tiroir inférieur.

Pour les retirer tous, reportez-vous à la page 9 pour les instructions de démontage.

I Entretien et nettoyage

Pour vous assurer que votre appareil reste hygiénique et fonctionne correctement, il est recommandé de le nettoyer (y compris les accessoires extérieurs et intérieurs) au moins tous les deux mois.

Avertissement!

Avant de commencer le processus de nettoyage, assurez-vous d'éteindre l'appareil et de le débrancher de la prise principale pour éviter tout risque de choc électrique.

Nettoyage extérieur

Évitez d'utiliser des huiles étherées, des nettoyants abrasifs ou des solvants organiques tels que le benzène, car ils peuvent endommager la surface de l'appareil et même causer des risques d'incendie. Utilisez plutôt un chiffon ou une éponge humide avec un détergent doux pour essuyer régulièrement l'extérieur.

Nettoyage extérieur

Évitez d'utiliser des huiles étherées, des nettoyants abrasifs ou des solvants organiques tels que le benzène, car ils peuvent endommager la surface de l'appareil et même causer des risques d'incendie. Utilisez plutôt un chiffon ou une éponge humide avec un détergent doux pour essuyer régulièrement l'extérieur.

Bien que cet appareil dispose d'une fonction de dégivrage automatique, une ouverture fréquente ou le fait de laisser la porte du congélateur ouverte trop longtemps peut entraîner la formation d'une couche de givre sur les parois intérieures du compartiment congélateur. Si le givre est trop épais, il est recommandé de dégivrer le congélateur manuellement en suivant ces étapes :

1. Retirez tous les aliments et accessoires existants des paniers du compartiment congélateur. Débranchez l'appareil de la source d'alimentation principale et laissez les portes ouvertes. Pour accélérer le processus, vous pouvez également ventiler la pièce correctement.
2. Attendez que le givre fonde complètement, ce qui peut prendre plusieurs heures. Une fois la glace fondue, essuyez l'intérieur du congélateur avec un chiffon sec ou une éponge pour éliminer toute humidité excessive.

3. Nettoyez soigneusement toutes les pièces amovibles et les accessoires avec un détergent doux et de l'eau tiède. Rincez-les et séchez-les complètement avant de les replacer dans le congélateur.

4. Une fois que tout est sec, rebranchez l'appareil et attendez qu'il refroidisse jusqu'à la température souhaitée avant de remettre les aliments et les accessoires dans le congélateur.

- Vaporisez de l'eau sur un chiffon de nettoyage plutôt que de la vaporiser directement sur la surface de l'appareil. Cela permet une répartition uniforme de l'humidité sur la surface.

- Nettoyez les portes, les poignées et les surfaces de l'armoire avec un détergent doux, puis essuyez-les avec un chiffon doux et sec.

⚠ ATTENTION!

- N'utilisez pas d'objets tranchants pour le nettoyage, car ils risquent de rayer la surface.

- N'utilisez pas de diluant, de détergent pour voiture, d'eau de Javel ou d'autres produits chimiques agressifs pour nettoyer votre congélateur, comme décrit ci-dessus.

⚠ AVERTISSEMENT!

N'utilisez pas d'objets tranchants pour enlever le givre du compartiment congélateur. Seulement lorsque l'intérieur est complètement sec, l'appareil doit être remis en marche et rebranché sur la prise principale.

Nettoyage des joints de porte

Veillez à maintenir les joints de porte propres. Les aliments collants peuvent faire adhérer les joints à l'armoire et les déchirer lorsque vous ouvrez la porte. Lavez le joint avec un détergent doux et de l'eau tiède. Rincez et séchez-le soigneusement après le nettoyage.

Attention! L'appareil ne doit être mis sous tension qu'après un séchage complet des joints de porte

I Entretien et nettoyage (suite)

Remplacement de la lumière LED

Avertissement : La lumière LED doit être remplacée par une personne compétente. Si la lumière LED est endommagée, suivez les étapes ci-dessous :

1. Débranchez votre appareil.
2. Retirez le couvercle de la lumière en le soulevant et en retirant la lumière LED.
3. Tenez la lumière LED d'une main et tirez dessus de l'autre main tout en appuyant sur le loquet du connecteur.
4. Remplacez la lumière LED et clipsez-la correctement en place, puis remettez le couvercle de la lumière en place.

I Conseils utiles

Conseils pour économiser de l'énergie

Nous vous recommandons de suivre les conseils ci-dessous pour économiser de l'énergie.

Essayez d'éviter de laisser la porte ouverte pendant de longues périodes afin de préserver l'énergie. Assurez-vous que l'appareil est éloigné de toute source de chaleur (lumière directe du soleil, four électrique, etc.)

Ne réglez pas la température plus froide que nécessaire.

Ne stockez pas d'aliments chauds ou de liquides en évaporation dans l'appareil.

Placez l'appareil dans une pièce bien ventilée, sans humidité. Veuillez-vous référer au chapitre « Installation de votre nouvel appareil ».

Si le schéma montre la combinaison correcte pour les tiroirs, le bac à légumes et les étagères, ne modifiez pas cette combinaison, car elle a été conçue pour être la configuration la plus économe en énergie.

Conseils pour la réfrigération d'aliments frais

Ne placez pas directement des aliments chauds dans le réfrigérateur ou le congélateur, car cela augmentera la température interne, obligeant le compresseur à travailler davantage pour la faire baisser, ce qui entraînera une consommation d'énergie plus élevée.

Couvrez ou emballez les aliments, en particulier s'ils ont une saveur forte.

Placez les aliments de manière que l'air puisse circuler librement autour d'eux.

Conseils pour la réfrigération

La viande (tous types) doit être enveloppée dans un film plastique alimentaire et placée sur l'étagère en verre au-dessus du bac à légumes.

Les plats cuisinés ou autres plats froids doivent être stockés dans un récipient et peuvent être placés sur n'importe quelle étagère.

Les fruits et légumes doivent être stockés dans le tiroir à légumes pour une fraîcheur optimale.

Le beurre et le fromage doivent être enveloppés dans du papier d'aluminium hermétique ou du film plastique.

Les bouteilles de lait doivent être munies d'un couvercle et être stockées dans l'un des compartiments de porte.

Conseils pour la congélation

Lors de la première mise en service ou après une période d'inutilisation, laissez l'appareil fonctionner au moins 2 heures aux réglages les plus froids avant d'y placer des aliments.

Préparez les aliments en petites portions pour qu'ils puissent être congelés rapidement et complètement, et pour pouvoir ensuite décongeler seulement la quantité nécessaire.

Emballer les aliments dans du papier d'aluminium ou du film plastique hermétique.

Pour éviter une hausse de température des aliments déjà congelés, ne laissez pas les aliments frais ou non congelés entrer en contact avec eux. Gardez-les séparés dans le congélateur.

I Conseils utiles (suite)

Conseils pour la congélation (suite)

Les produits glacés qui sont consommés immédiatement après avoir été retirés du congélateur peuvent provoquer des brûlures de gel sur la peau. Il est préférable de les laisser décongeler pendant quelques minutes avant de les consommer.

Pour suivre le temps de stockage, il est recommandé d'étiqueter et de dater chaque emballage congelé. Cela permet de s'assurer que les aliments sont utilisés avant leur date de péremption et aide à éviter le gaspillage alimentaire.

Conseils pour le stockage des aliments congelés

Pour garantir la sécurité et la qualité des aliments congelés, il est important de s'assurer qu'ils ont été stockés correctement par le détaillant alimentaire.

Une fois que les aliments ont été décongelés, ils se détériorent rapidement et ne doivent pas être recongelés. De plus, il est important de ne pas dépasser la durée de conservation indiquée par le fabricant des aliments

Arrêt de votre appareil

Si vous devez éteindre votre appareil pendant une période prolongée, il est important de suivre les étapes suivantes pour éviter le développement de moisissures sur l'appareil :

1. Retirez tous les aliments.
2. Débranchez la prise de courant.
3. Nettoyez et séchez soigneusement l'intérieur.
4. Assurez-vous que toutes les portes sont légèrement entrouvertes pour permettre à l'air de circuler.

I Dépannage

Si vous rencontrez un problème avec votre appareil ou si vous pensez qu'il ne fonctionne pas correctement, vous pouvez effectuer quelques vérifications simples avant de demander un service. Veuillez suivre les étapes ci-dessous.

Attention! Ne tentez pas de réparer l'appareil vous-même. Si le problème persiste après avoir effectué les vérifications mentionnées ci-dessous, contactez un électricien qualifié, un technicien de service autorisé ou le magasin où vous avez acheté le produit.

Problème	Cause possible & solution
L'appareil ne fonctionne pas correctement	Vérifiez que l'appareil est correctement branché et que le cordon d'alimentation est bien inséré dans la prise électrique.
	Vérifiez le fusible ou le disjoncteur de votre alimentation électrique, remplacez- le si nécessaire.
	Il est normal que le congélateur ne fonctionne pas pendant le cycle de dégivrage, ou pendant un court laps de temps après la mise en marche de l'appareil pour protéger le compresseur.
Les odeurs provenant des compartiments	L'intérieur a besoin de nettoyage de l'intérieur.
	Certains aliments, contenants ou emballages peuvent également causer des odeurs.

I Dépannage (suite)

<p>Bruits provenant de l'appareil</p>	<p>Les sons suivants sont tout à fait normaux :</p> <ul style="list-style-type: none"> • Bruits de fonctionnement du compresseur. • Bruit de circulation de l'air provenant du petit moteur du ventilateur dans le compartiment du congélateur ou d'autres compartiments. • Bruit de glouglou similaire à de l'eau qui bouillonne. • Craquements pendant le dégivrage automatique. • Claquements avant le démarrage du compresseur. <p>D'autres bruits inhabituels peuvent être dus aux raisons suivantes et nécessiter une vérification et une action de votre part :</p> <ul style="list-style-type: none"> • L'armoire n'est pas de niveau. • L'arrière de l'appareil touche le mur. • Des bouteilles ou des contenants sont tombés ou roulent.
<p>Le moteur fonctionne en continu</p>	<p>Il est normal d'entendre fréquemment le bruit du moteur. Il peut fonctionner davantage dans les circonstances suivantes:</p> <ul style="list-style-type: none"> • Le réglage de la température est plus froid que nécessaire. • Une grande quantité d'aliments chauds a récemment été stockée dans l'appareil. • La température ambiante autour de l'appareil est trop élevée. • Les portes sont maintenues ouvertes trop longtemps ou trop souvent. • Après l'installation de l'appareil ou s'il a été éteint pendant une longue période.
<p>Une couche de givre se forme dans le compartiment</p>	<p>Vérifiez que les sorties d'air ne sont pas obstruées par de la nourriture et assurez-vous que la nourriture est placée de manière à permettre une ventilation suffisante à l'intérieur de l'appareil. Assurez-vous que la porte est complètement fermée. Pour éliminer le givre, veuillez-vous référer au chapitre « Entretien et Nettoyage ».</p>
<p>La température à l'intérieur est trop élevée</p>	<p>Vous avez peut-être laissé les portes ouvertes trop longtemps ou trop fréquemment ; ou les portes sont maintenues ouvertes par un obstacle ; ou l'appareil est installé avec un espace insuffisant sur les côtés, à l'arrière et en haut.</p>
<p>La température à l'intérieur est trop froide</p>	<p>Augmentez la température en suivant le chapitre « Commande de l'écran »</p>
<p>Les portes ne se ferment pas facilement</p>	<p>Vérifiez si le haut du réfrigérateur est incliné vers l'arrière de 10 à 15 mm pour permettre aux portes de se fermer automatiquement, ou si quelque chose à l'intérieur empêche les portes de se fermer.</p>

I Disposition de l'appareil

⚠ DANGER

Il est interdit de jeter cet appareil avec les ordures ménagères.

Matériaux d'emballage

Les matériaux d'emballage portant le symbole de recyclage sont recyclables. Déposez l'emballage dans un conteneur dans un conteneur de collecte des déchets approprié pour le recycler.

Avant de jeter l'appareil

1. Retirez la fiche principale de la prise de courant.
2. Couper le cordon d'alimentation et le mettre au rebut avec la fiche principale.



⚠ AVERTISSEMENT

Risque de suffocation ! Risque de mort ou de lésions cérébrales. Retirer les portes pour éviter tout risque d'asphyxie.

1. Pour éviter tout risque d'asphyxie, retirez complètement les portes de votre ancien réfrigérateur immédiatement. Laissez les étagères en place pour empêcher les enfants de grimper dessus ou de pénétrer à l'intérieur.

2. Lorsque vous mettez l'appareil au rebut, ne le faites que dans un centre d'élimination des déchets agréé. Ne pas exposer à une flamme.

Les réfrigérateurs contiennent du fluide frigorigène et des gaz dans l'isolation. Le réfrigérant et les gaz doivent être éliminés. Les réfrigérants et les gaz doivent être éliminés par des professionnels car ils peuvent provoquer des lésions oculaires ou s'enflammer. Assurez-vous que la tuyauterie du circuit frigorifique n'est pas endommagée avant de procéder à l'élimination n'est pas endommagée avant d'être éliminée de manière appropriée.

Disposition correcte de ce produit	
 	<p>Ce symbole sur le produit ou sur son emballage indique que ce produit ne doit pas être traité comme un déchet ménager. Au lieu de cela, il doit être apporté au point de collecte approprié pour le recyclage des équipements électriques et électroniques. En veillant à ce que ce produit soit éliminé correctement, vous contribuerez à éviter les conséquences négatives potentielles pour l'environnement et la santé humaine, qui pourraient être causées par une gestion inappropriée des déchets de ce produit. Pour plus d'informations détaillées sur le recyclage de ce produit, veuillez contacter votre conseil local, votre service de collecte des déchets ménagers ou le magasin où vous avez acheté le produit.</p>

⚠ **AVERTISSEMENT** : Ce produit peut vous exposer à des produits chimiques, y compris [le plomb et les composés de plomb], qui sont connus de l'État de Californie pour provoquer des cancers, des anomalies congénitales et/ou des troubles de la reproduction, cancer, des malformations congénitales et/ou des troubles de la reproduction. Pour minimiser l'exposition à ces substances. Utilisez toujours cet appareil conformément au manuel d'utilisation, et veillez à assurer une ventilation adéquate. Pour plus d'informations, consultez le site www.P65Warnings.ca.gov

I GARANTIE

Ce que couvre cette garantie limitée :

La couverture de garantie fournie par Forno dans cette déclaration s'applique exclusivement à l'appareil ("Produit") vendu au consommateur ("Acheteur") par un revendeur/distributeur/détaillant agréé Forno, acheté et installé aux États-Unis ou au Canada, et qui est toujours resté dans l'original pays d'achat (États-Unis ou Canada). La couverture de la garantie est activée à la date de l'achat au détail original et a une durée de deux (2) ans.

La couverture de la garantie n'est pas transférable. En cas de remplacement de pièces ou de l'ensemble du produit, le produit (ou les pièces) de remplacement assumera le reste de la garantie d'origine activée avec la preuve d'achat d'origine. Cette garantie ne sera pas prolongée en ce qui concerne un tel remplacement. Forno réparera ou remplacera toute composante/pièce qui tombe en panne ou s'avère défectueuse en raison de matériaux et/ou de fabrication dans les 2 ans suivant la date de l'achat initial au détail et dans des conditions d'habitation ordinaire, usage non commercial. La réparation ou le remplacement sera gratuit, y compris la main-d'œuvre aux tarifs standard et l'expédition dépenses. L'acheteur est responsable de rendre le produit raisonnablement accessible pour le service. Service de réparation doit être effectuée par une société de service agréée Forno pendant les heures normales de travail.

IMPORTANT

Conservez la preuve d'achat originale pour établir la période de garantie. La responsabilité de Forno pour toute réclamation de quelque nature que ce soit, avec en ce qui concerne les biens et/ou services fournis, ne doit en aucun cas dépasser la valeur des biens ou services ou de la partie qui a donné lieu à la réclamation.

Garantie cosmétique de 30 jours

L'Acheteur doit inspecter le produit au moment de la livraison. Forno garantit que le produit est exempté de défauts de fabrication dans les matériaux et la fabrication pendant une période de trente (30) jours à compter de la date de vente au détail d'origine l'achat du Produit.

Cette couverture comprend :

- Taches de peinture
- Écorchures
- Défauts de finition macroscopiques

La garantie cosmétique ne couvre PAS :

Problèmes résultant d'un transport, d'une manipulation et/ou d'une installation incorrecte (par exemple : bosses, cassés, déformés ou structures déformés ou composants, composants en verre fissurés ou autrement endommagés) ;

Légères variations de couleur sur les composants peints/émaillés ;

Les différences causées par l'éclairage naturel ou artificiel, l'emplacement ou d'autres facteurs analogues ; Taches/corrosion/décoloration causées par des substances externes et/ou des facteurs environnementaux ; Coûts de main-d'œuvre, présentoir, plancher, stock B, appareils prêts à l'emploi, « tels quels » et unités de démonstration.

Comment recevoir le service

Pour bénéficier des services de garantie, l'acheteur doit contacter le service d'assistance de Forno afin de déterminer le problème et les procédures de service requises. Le « Troubleshooting » avec un représentant du service à la clientèle sera nécessaire avant d'aller de l'avant avec le service. Numéro de modèle, numéro de série et date de vente au détail d'origine l'achat sera demandé.

Exclusions de garantie : Ce qui n'est pas couvert.

> L'utilisation du produit dans tout lieu non résidentiel, application commerciale. Utilisation du Produit pour autre chose que son but visé.

> Services de réparation fournis par toute personne autre qu'un Agence de service autorisée Forno.

> Services de dommages ou de réparation pour corriger les services fournis par des parties non autorisées ou l'utilisation de pièces non autorisées.

> Installation non conforme codes d'incendie locaux/état/ville/comté, codes électriques, gaz codes, codes de plomberie, codes du bâtiment, lois ou règlements.

> Défauts ou dommages dus à un stockage inapproprié du Produit.

> Défauts, dommages ou pièces manquantes sur les produits vendus hors de l'emballage d'origine ou des présentoirs. Appels de service ou réparations pour corriger une erreur l'installation du Produit et/ou des accessoires associés.

> Remplacement des pièces/appels de service pour se connecter, convertir ou autrement réparer le câblage électrique et/ou conduite de gaz afin d'utiliser correctement le produit.

> Remplacement des pièces/appels de service à fournir instructions et informations sur l'utilisation du Produit.

> Remplacement des pièces/appels de service pour corriger les problèmes résultant de l'utilisation du produit d'une manière autre que ce qui est normal et habituel pour un usage résidentiel.

> Remplacement des pièces/appels de service en raison de l'usure et déchirure de composants tels que joints, boutons, casserole supports, étagères, paniers à couverts, boutons, tactiles présentoirs, plateaux en vitrocéramique rayés ou cassés.

> Remplacement de pièces/appels de service en cas de manque de/mauvais entretien, y compris, mais sans s'y limiter : accumulation de résidus, taches, rayures, décoloration, corrosion.

> Défauts et dommages résultant d'accidents, altération, mauvaise utilisation, abus ou mauvaise installation.

> Défauts et dommages résultant du Produit transport, logistique et manutention. Inspection du produit doit être fait au moment de la livraison. Suivant réception et inspection, le concessionnaire vendeur/la livraison l'entreprise doit être informée de tout problème découlant de manutention, transport et logistique.

> Défauts et dommages résultant de forces externes hors du contrôle de Forno, y compris mais non limité au vent, à la pluie, au sable, aux incendies, aux inondations, aux coulées de boue, des températures glaciales, une humidité excessive ou exposition prolongée à l'humidité, aux surtensions, la foudre, les défaillances structurelles entourant l'appareil et d'autres actes de Dieu.

> Produits dont le numéro de série a été altéré/endommagé. En aucun cas Forno est tenu responsable des dommages causés à propriété environnante, y compris les meubles, les armoires, revêtements de sol, panneaux et autres structures entourant le Produit. Forno n'est pas tenu responsable des Produits s'il est situé dans une zone éloignée ou une zone où les techniciens formés certifiés ne sont pas raisonnablement disponibles. L'acheteur doit supporter tout transport et les frais de livraison du Produit jusqu'au centre de service autorisé ou les frais de déplacement supplémentaires d'un technicien certifié.

IL N'EXISTE AUCUNE GARANTIE EXPRESSE AUTRE QUE CELLES ÉNUMÉRÉES ET DÉCRITES CI-DESSUS, ET AUCUNE GARANTIES, EXPRESSES OU IMPLICITES, Y COMPRIS, MAIS SANS S'Y LIMITER, TOUTE GARANTIE IMPLICITE GARANTIES DE QUALITÉ MARCHANDE OU D'ADÉQUATION À UN USAGE PARTICULIER QUI S'APPLIQUERONT APRÈS LES PÉRIODES DE GARANTIE EXPRESSE INDIQUÉES CI-DESSUS, ET AUCUNE AUTRE GARANTIE EXPRESSE OU GARANTIE DONNÉE PAR TOUTE PERSONNE, ENTREPRISE OU SOCIÉTÉ CONCERNANT CE PRODUIT SERA OBLIGATOIRE POUR FORNO. FORNO NE SERA PAS RESPONSABLE DE LA PERTE DE REVENUS OU DE PROFITS, DÉFAUT DE RÉALISER DES ÉCONOMIES OU D'AUTRES AVANTAGES, TEMPS D'ABSENCE DU TRAVAIL, REPAS, PERTE DE NOURRITURE OU BOISSONS, FRAIS DE VOYAGE OU D'HOTEL, FRAIS DE LOCATION OU D'ACHAT D'APPAREILS, DÉPENSES DE REMODELAGE/CONSTRUCTION SUPÉRIEURES AUX DOMMAGES DIRECTS INDÉNIABLES CAUSÉ EXCLUSIVEMENT PAR FORNO OU TOUT AUTRE SPÉCIAL, ACCESSOIRE OU CONSÉCUTIF LES DOMMAGES CAUSÉS PAR L'UTILISATION, LA MAUVAISE UTILISATION OU L'INCAPACITÉ D'UTILISER CE PRODUIT, INDÉPENDAMMENT DU THÉORIE JURIDIQUE SUR LAQUELLE LA RÉCLAMATION EST BASÉE, ET MÊME SI FORNO A ÉTÉ AVISÉ DE LA POSSIBILITÉ DE TELS DOMMAGES. DE PLUS, LA RÉCUPÉRATION DE QUELQUE NATURE QUE CE SOIT CONTRE FORNO NE SERA PLUS GRANDE D'UN MONTANT QUE LE PRIX D'ACHAT DU PRODUIT VENDU PAR FORNO ET CAUSANT LE DOMMAGES ALLÉGUÉS. SANS PRÉJUDICE DE CE QUI PRÉCÈDE, L'ACHETEUR ASSUME TOUS LES RISQUES ET RESPONSABILITÉ POUR PERTE, DOMMAGE OU BLESSURE À L'ACHETEUR ET À LA PROPRIÉTÉ DE L'ACHETEUR ET À AUTRES ET LEURS PROPRIÉTÉS DÉCOULANT DE L'UTILISATION, DE LA MAUVAISE UTILISATION OU DE L'INCAPACITÉ À UTILISER CE PRODUIT VENDU PAR FORNO QUI N'EST PAS LE RÉSULTAT DIRECT D'UNE NÉGLIGENCE DE LA PART DE FORNO LA GARANTIE LIMITÉE NE S'ÉTENDRA À PERSONNE AUTRE QUE L'ACHETEUR INITIAL DE CE PRODUIT N'EST PAS TRANSFÉRABLE ET ÉNONCE VOTRE RECOURS EXCLUSIF