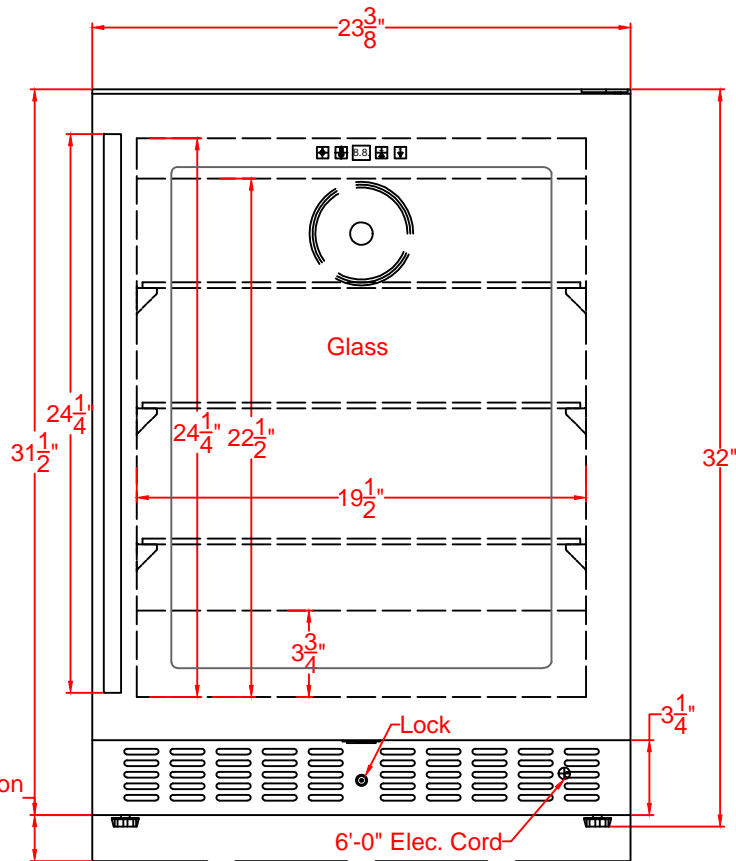


TOP VIEW



FRONT VIEW

Adj. Kickplate Extension  
2" Max

**ASDG2411**  
**Beverage Center**  
**08/26/22**

**SUMMIT**  
FELIX STORCH, INC.  
[www.summitappliance.com](http://www.summitappliance.com)  
718-393-3900