



Refrigerated Showcases

Models RS-CN-0271, 0271-S, 0371, 0371-S,

0471, 0471-S, 0571, 0571-S

Items 44387, 44382, 44502, 44383, 44503, 44384, 44504, 44505

Instruction Manual



Revised - 05/07/2019



Toll Free: 1-800-465-0234
Fax: 905-607-0234
Email: service@omcan.com
www.omcan.com

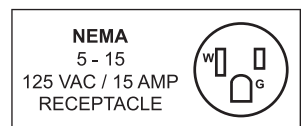


Table of Contents

Model RS-CN-0271 / Model RS-CN-0271-S / Model RS-CN-0371
Model RS-CN-0371-S / Model RS-CN-0471 / Model RS-CN-0471-S
Model RS-CN-0571 / Model RS-CN-0571-S

Section	Page
General Information -----	3 - 4
Safety and Warranty -----	4 - 7
Technical Specifications -----	7 - 8
Operation -----	8 - 10
Maintenance -----	10
Troubleshooting -----	10 - 11
Parts Breakdown -----	12 - 27
Electrical Schematics -----	28 - 30
Warranty Registration -----	31



General Information

Omcan Manufacturing and Distributing Company Inc., Food Machinery of America, Inc. dba Omcan and Omcan Inc. are not responsible for any harm or injury caused due to any person's improper or negligent use of this equipment. The product shall only be operated by someone over the age of 18, of sound mind, and not under the influence of any drugs or alcohol, who has been trained in the correct operation of this machine, and is wearing authorized, proper safety clothing. Any modification to the machine voids any warranty, and may cause harm to individuals using the machine or in the vicinity of the machine while in operation.

CHECK PACKAGE UPON ARRIVAL

Upon receipt of an Omcan shipment please inspect for external damage. If no damage is evident on the external packaging, open carton to ensure all ordered items are within the box, and there is no concealed damage to the machine. If the package has suffered rough handling, bumps or damage (visible or concealed), please note it on the bill of lading before accepting the delivery and contact Omcan within 24 hours, so we may initiate a claim with the carrier. A detailed report on the extent of the damage caused to the machine must be filled out within three days, from the delivery date shown in the shipping documents. Omcan has no recourse for damaged products that were shipped collect or third party.

Before operating any equipment, always read and familiarize yourself with all operation and safety instructions.

Omcan would like to thank you for purchasing this machine. It's of the utmost importance to save these instructions for future reference. Also save the original box and packaging for shipping the equipment if servicing or returning of the machine is required.

Omcan Fabrication et distribution Compañie Limité et Food Machinery d'Amérique, dba Omcan et Omcan Inc. ne sont pas responsables de tout dommage ou blessure causé du fait que toute personne ait utilisé cet équipement de façon irrégulière. Le produit ne doit être exploité que par quelqu'un de plus de 18 ans, saine d'esprit, et pas sous l'influence d'une drogue ou d'alcool, qui a été formé pour utiliser cette machine correctement, et est vêtu de vêtements de sécurité approprié. Toute modification de la machine annule toute garantie, et peut causer un préjudice à des personnes utilisant la machine ou des personnes à proximité de la machine pendant son fonctionnement.

VÉRIFIEZ LE COLIS DÈS RÉCEPTION

Dès réception d'une expédition d'Omcan veuillez inspecter pour dommages externes. Si aucun dommage n'est visible sur l'emballage externe, ouvrez le carton afin de s'assurer que tous les éléments commandés sont dans la boîte, et il n'y a aucun dommage dissimulé à la machine. Si le colis n'a subi aucune mauvaises manipulations, de bosses ou de dommages (visible ou cachée), notez-le sur le bond de livraison avant d'accepter la livraison et contactez Omcan dans les 24 heures qui suivent, pour que nous puissions engager une réclamation auprès du transporteur. Un rapport détaillé sur l'étendue des dommages causés à la machine doit être rempli dans un délai de trois jours, à compter de la date de livraison indiquée dans les documents d'expédition. Omcan n'a aucun droit de recours pour les produits endommagés qui ont été expédiés ou cueilli par un tiers transporteur.

General Information

Avant d'utiliser n'importe quel équipement, toujours lire et vous familiariser avec toutes les opérations et les consignes de sécurité.

Omcan voudrais vous remercier d'avoir choisi cette machine. Il est primordial de conserver ces instructions pour une référence ultérieure. Également conservez la boîte originale et l'emballage pour l'expédition de l'équipement si l'entretien ou le retour de la machine est nécessaire.

Omcan Empresa De Fabricacion Y Distribucion Inc. Y Maquinaria De Alimentos De America, Inc. dba Omcan y Omcan Inc. no son responsables de ningun daño o perjuicio causado por cualquier persona inadecuada o el uso descuidado de este equipo. El producto solo podra ser operado por una persona mayor de 18 años, en su sano juicio y no bajo alguna influencia de droga o alcohol, y que este ha sido entrenado en el correcto funcionamiento de esta máquina, y ésta usando ropa apropiada y autorizada. Cualquier modificación a la máquina anula la garantía y puede causar daños a las personas usando la máquina mientras esta en el funcionamiento.

REVISE EL PAQUETE A SU LLEGADA

Tras la recepcion de un envio Omcan favor inspeccionar daños externos. Si no hay daños evidentes en el empaque exterior, Habra el carton para asegurarse que todos los articulos solicitados estén dentro de la caja y no encuentre daños ocultos en la máquina. Si el paquete ha sufrido un manejo de poco cuidado, golpes o daños (visible o oculto) por favor anote en la factura antes de aceptar la entrega y contacte Omcan dentro de las 24 horas, de modo que podamos iniciar una reclamación con la compañía. Un informe detallado sobre los daños causados a la máquina debe ser llenado en el plazo de tres días, desde la fecha de entrega que se muestra en los documentos de envío. Omcan no tiene ningun recurso por productos dañados que se enviaron a recoger por terceros.

Antes de utilizar cualquier equipo, siempre lea y familiarizarse con todas las instrucciones de funcionamiento y seguridad.

Omcan le gustaría darle las gracias por la compra de esta máquina. Es de la mayor importancia para salvar estas instrucciones para futuras consultas. Además, guarda la caja original y el embalaje para el envío del equipo si servicio técnico o devolución de la máquina que se requiere.

Safety and Warranty


HANDLE AND ASSEMBLING



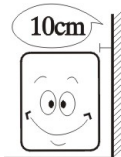
Handle with care

Unplug wall socket before moving. Never tilt the refrigerator over 45 degrees during handling.

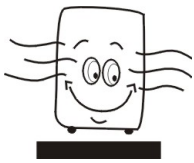
Safety and Warranty



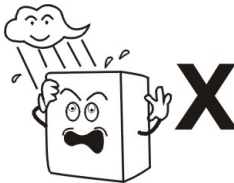
Storage
Always store refrigerator in a dry place.



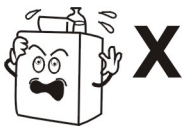
Sufficient space
To allow for proper air circulation and increased refrigeration capabilities, the refrigerator must have at least 3 inches of space between wall and unit.



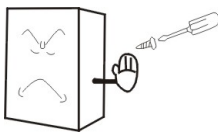
Proper ventilation
Always place the refrigerator in an area with good ventilation. For first time use, wait at least 2 hours before plugging into wall socket.



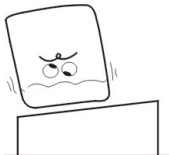
Away from heat source
Never place the refrigerator near any type of heat source or in direct sunlight, as it reduces refrigeration capabilities.



No heavy load
Never put heavy items on top of the refrigerator.

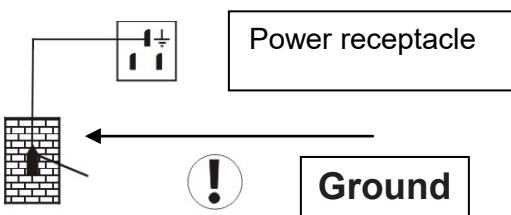


No alterations/tampering
Never tamper with, or make changes to the refrigerator. Changes and add-ons should not be installed to the inside or outside of the refrigerator.




Stable location
Unpack and place the refrigerator on flat, solid ground.

PREPARATION AND POWER SUPPLY



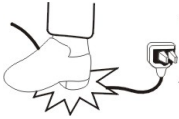
Exclusive power socket

Power supply should be 110V, single phase AC with exclusive single phase three pin outlet and fuse (8A). The power outlet must be in close proximity to the ground.



No shared power outlets
Refrigerator cable should never share the power outlet with any other appliance, as cable will overheat and may result in a fire.

Safety and Warranty



Protect cables

Extra caution should be used when handling cables, as broken or damaged cables can cause sparking and may result in a fire.



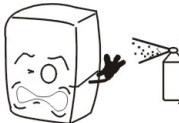
No water flushing

Never flush the refrigerator surface. This can cause leakage, which may result in electrical damage or fire.



Never store flammables and explosives

No explosives or flammables should be stored in, or in proximity to, the refrigerator, such as gasoline, alcohol, and adhesives.



No spray

Never spray flammables such as paint or coating near the refrigerator. This may cause fire or malfunction.



After power outage

After a power outage or the unplugging of the refrigerator, wait at least 5 minutes before plugging it back in.



No medicine

Medicine should not be stored inside of the refrigerator.

1 YEAR PARTS AND LABOUR WARRANTY

Within the warranty period, contact Omcan Inc. at 1-800-465-0234 to schedule an Omcan authorized service technician to repair the equipment locally.

Unauthorized maintenance will void the warranty. Warranty covers electrical and part failures, not improper use.

Please see <https://omcan.com/disclaimer> for complete info.

WARNING:

The packaging components are classified as normal solid urban waste and can therefore be disposed of without difficulty.

In any case, for suitable recycling, we suggest disposing of the products separately (differentiated



Safety and Warranty

waste) according to the current norms.

DO NOT DISCARD ANY PACKAGING MATERIALS IN THE ENVIRONMENT!

Technical Specifications

0271 UNITS

Model	RS-CN-0271	RS-CN-0271-S
Capacity	310 L / 10.9 cu. ft.	390 L / 13.8 cu. ft.
Power	600 W	
Compressor Power	3/8 HP	
Temperature Range	0 - 12°C / 32 - 54°F	
Refrigerant	R290	
Type of Climate	4	
Rated Current	7.1 A	
Dimensions	36.4" x 26.8" x 55.9" 925 x 680 x 1420mm	36.4" x 26.7" x 55.5" 925 x 678 x 1410mm
Item Number	44387	44382

0371 UNITS

Model	RS-CN-0371	RS-CN-0371-S
Capacity	420 L / 14.8 cu. ft.	530 L / 18.7 cu. ft.
Power	620 W	
Compressor Power	3/8 HP	
Temperature Range	0 - 12°C / 32 - 54°F	
Refrigerant	R290	
Type of Climate	4	
Rated Current	7.4 A	
Dimensions	48.2" x 26.8" x 55.9" 1225 x 680 x 1420mm	48" x 26.8" x 55.5" 1219 x 680 x 1410mm
Item Number	44502	44383

Technical Specifications

0471 UNITS

Model	RS-CN-0471	RS-CN-0471-S
Capacity	535 L / 18.9 cu. ft.	670 L / 23.7 cu. ft.
Power	605 W	
Compressor Power	3/8 HP	
Temperature Range	0 - 12°C / 32 - 54°F	
Refrigerant	R290	
Type of Climate	4	
Rated Current	7.1 A	
Dimensions	60" x 26.8" x 55.9" 1525 x 680 x 1420mm	60" x 26.8" x 55.5" 1525 x 680 x 1410mm
Item Number	44503	44384

0571 UNITS

Model	RS-CN-0571	RS-CN-0571-S
Capacity	650 L / 23 cu. ft.	810 L / 28.6 cu. ft.
Power	625 W	
Compressor Power	3/8 HP	
Temperature Range	0 - 12°C / 32 - 54°F	
Refrigerant	R290	
Type of Climate	4	
Rated Current	7.7 A	
Dimensions	71.9" x 26.8" x 55.9" 1825 x 680 x 1420mm	71.8" x 26.8" x 55.5" 1824 x 680 x 1410mm
Item Number	44504	44505

Operation

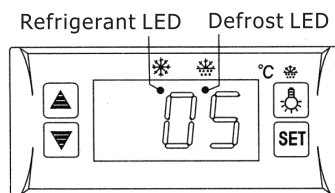
The device is installed with an enclosed compressor with refrigerant R290 which has been indicated as an environmentally friendly agent. The product is operated under an air cooling system, maintaining the body temperature evenly.

1. Double hollow transparent glasses are used on the door and body, it features an artistic and elegant appearance, perfect perspective and easy access.
2. The device is commonly for commercial use, such as restaurants, convenience stores, clubs, ect.

BEFORE USE

- Plug refrigerator into the 110-120V exclusive socket.
- After the refrigerator is running, confirm that air suction/filtration is in order and that it is sufficiently cold. After checking to make sure the refrigerator is working properly, it may be used.

DIGITAL TEMPERATURE CONTROLLER



FEATURES OF FUNCTION

- Small, integrated digital controller, which is applicable to the compressor of 1 Hp.
- Main functions are: Temperature Display/Temperature Control/Manual-Automatic /Light Control/Value Storing/Self-Testing/Parameter Locking.

FRONT PANEL OPERATION

1. Set temperature: Press **SET** button; set temperature will be displayed. Press **▲** or **▼** button to modify and store the displayed value. Press **SET** button to exit the adjustment and display the cold-room temperature.
2. If no button is pressed within 10 seconds, the cold-room temperature will be displayed.
3. Lighting: Press **☼** button to activate light in refrigerator; press again to turn off. Manual start/stop defrost: Press **☼** button and hold for 6 seconds to either defrost or to stop defrost.
4. Refrigeration LED: During refrigeration, the LED is on. When the cold room temperature is constant, the LED is off. During delay start, the LED flashes.
5. Defrost LED: During defrosting, the LED is on. When it stops defrosting, the LED is off. During the delay of defrost, the LED flashed.

CAUTION

- Minimizing time the time and frequency that the door is open will maintain temperature.
- Never block the air outlet and suction to keep the air circulation and refrigeration capability constant.
- Do not overfill refrigerator with food, as it will influence the cooling effect. If needed, adjust the rack height for proper food storage.
- Cool down hot food to room temperature before placing inside the refrigerator.
- When power supply has been cut off, reduce opening times and maintain cool temperature in refrigerator.
- To avoid scalding, never touch the compressor.
- If the supply cord is damaged, it must be replaced by the manufacturer, its service agent, or similarly qualified persons in order to avoid hazard.

Operation

- This appliance is not intended for use by persons (including children) with reduced physical, sensory or mental capabilities, or lack of experience and knowledge, unless they have been given supervision or instruction concerning use of the appliance by a person responsible for their safety.
- Children should be supervised to ensure that they do not play with the appliance.

Maintenance

1. Cabinet Cleaning:
 - a. The product should be maintained and cleaned periodically with power supply disconnected. In cleaning, please use mild-rinsing water or non-corrosive products. Do not wash directly with water faucet.
 - b. Clean outside of unit using a soft cloth with neutral detergent, and dry with a separate soft cloth.
 - c. Clean inside racks by removing them from the unit and clean with water.
2. When shutting down unit for a long period of time, take out all food and unplug wall socket. Clean inside and outside thoroughly, and keep door open to sufficiently dry.
3. As glass breaks easily, keep far away from children.
4. Frequently observe the operation of the product. In case of any abnormal noise or smell, cut off the power supply immediately and call professionals. Do not restart the product before source of trouble is found.
5. We will not be responsible for any accidents acquired through failure to follow previous notices.

Troubleshooting

Trouble	Cause and Remedy
No Refrigeration	Is the plug securely in the socket?
	Is the fuse broken?
	Is there no power?
Poor Refrigeration	Is it under sunlight? Is there any heat source nearby?
	Is the surrounding ventilation poor?
	Is the door seal strip deformed or damaged?
	Is the food congested or is there too much food?
	Does food block the air suction or outlet?
	Regulate the temperature controller.
Noisy	The refrigerator is not level.
	The refrigerator is making contact with the wall or other objects.
	There is a loose part in the refrigerator.
Contact Omcan for help if simple trouble shooting does not solve the problems.	

Troubleshooting

NOTE

Following occurrences are not problems:

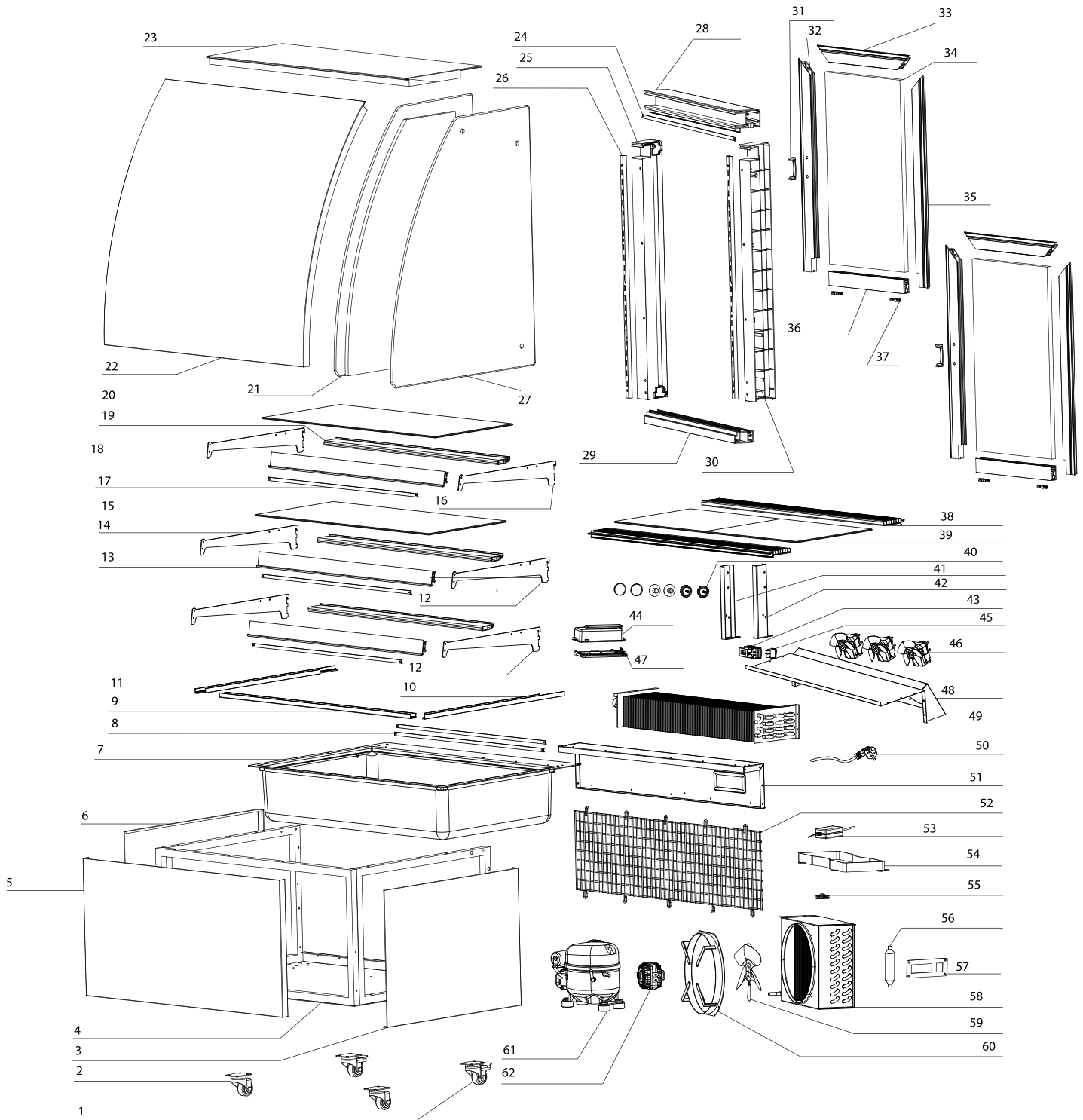
- The murmur of water is heard when the refrigerator is working. It is a normal occurrence as the coolant is circulating in the system.
- When the weather is damp, condensation might be found on the outside of the refrigerator. It is caused by high humidity. Simply use cloth to wipe it off.

REFERENCE

Item Number	Model Number	Description	Manufacturer Model Number
44387	RS-CN-0271	Refrigerated Showcase Floor 310 L / 10.95 cu. ft. Curved Glass 110V/60/1 cETLus/ETL	ARC-271Y
44382	RS-CN-0271-S	Refrigerated Showcase Floor 390 L / 13.77 cu. ft. Square 110V/60/1 cETLus/ETL	ARC-271Z
44502	RS-CN-0371	Refrigerated Showcase Floor 420 L / 14.83 cu. ft. Curved Glass 110V/60/1 cETLus/ETL	ARC-371Y
44383	RS-CN-0371-S	Refrigerated Showcase Floor 530 L / 18.71 cu. ft. Square 110V/60/1 cETLus/ETL	ARC-371Z
44503	RS-CN-0471	Refrigerated Showcase Floor 535 L / 18.89 cu. ft. Curved Glass 110V/60/1 cETLus/ETL	ARC-471Y
44384	RS-CN-0471-S	Refrigerated Showcase Floor 670 L / 23.66 cu. ft. Square 110V/60/1 cETLus/ETL	ARC-471Z
44504	RS-CN-0571	Refrigerated Showcase Floor 650 L / 22.95 cu. ft. Curved Glass 110V/60/1 cETLus/ETL	ARC-571Y
44505	RS-CN-0571-S	Refrigerated Showcase Floor 810 L / 28.61 cu. ft. Square 110V/60/1 cETLus/ETL	ARC-571Z

Parts Breakdown

Model RS-CN-0271 44387





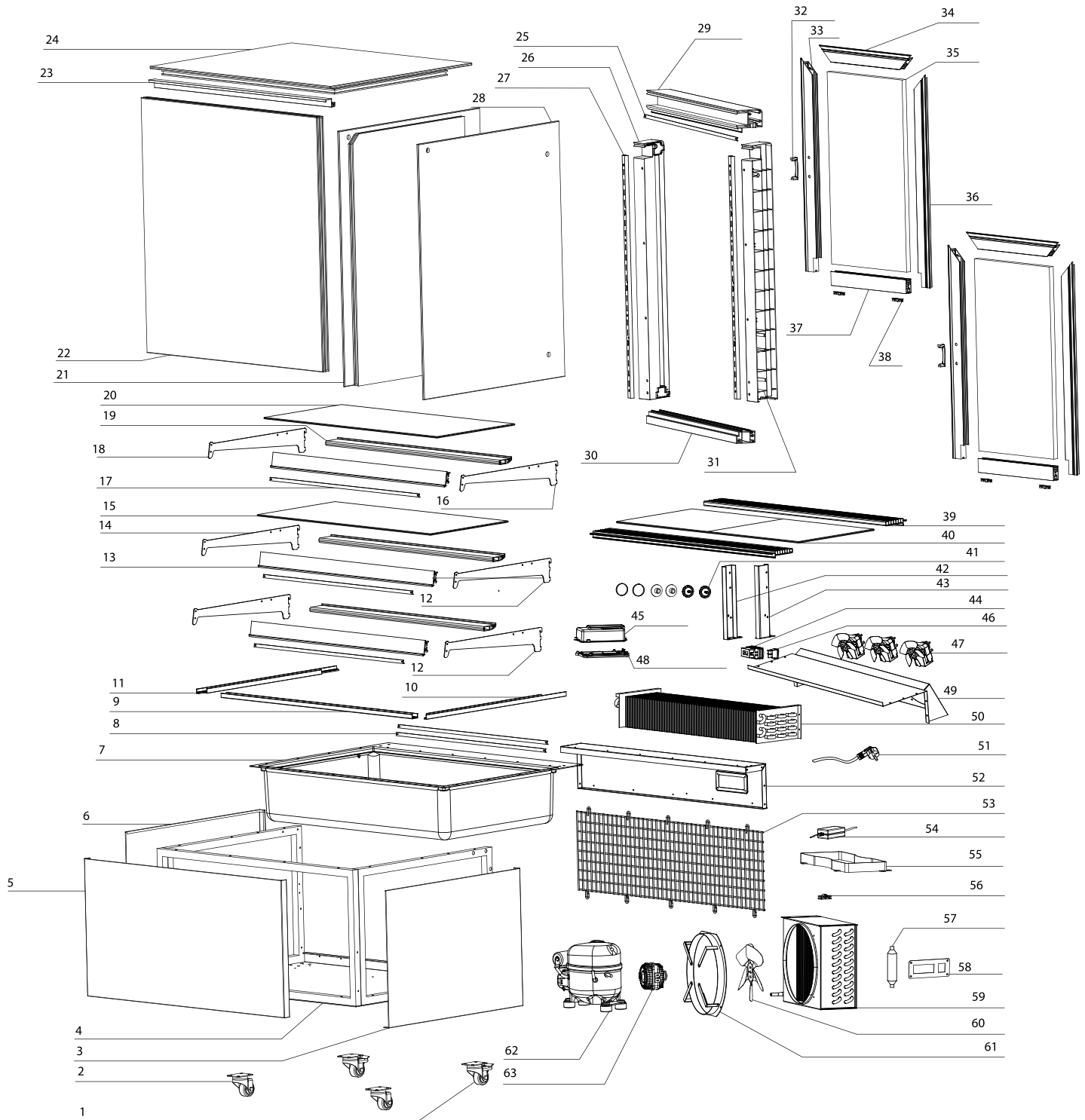
Parts Breakdown

Model RS-CN-0271 44387

Item No.	Description	Position	Item No.	Description	Position	Item No.	Description	Position
71042	Rear Swivel Caster with Brake for ARC271Y	1	68181	Front Glass for ARC271Y	22	68195	Pole Fixer Right for ARC271Y	42
79763	Swivel Front Castor without Brake for ARC271Y	2	68182	Top Glass for ARC271Y	23	71123	Digital Control for ARC271Y	43
68164	Right Cover for ARC271Y	3	68183	Top LED for ARC271Y	24	71079	Thermostat Lid for ARC271Y	44
68165	Base for ARC271Y	4	68184	Left Pole for ARC271Y	25	68196	Switch for ARC271Y	45
68166	Front Cover for ARC271Y	5	68185	Shelf Holder for ARC271Y	26	71081	Evaporator Motor for ARC271Y	46
68167	Left Cover for ARC271Y	6	68186	Right Glass for ARC271Y	27	71082	Thermostat Base for ARC271Y	47
71046	Evaporator Insulation for ARC271Y	7	68187	Top Frame for ARC271Y	28	68197	Evaporator Cover for ARC271Y	48
68168	Bottom LED for ARC271Y	8	68188	Bottom Frame for ARC271Y	29	71084	Evaporator for ARC271Y	49
68169	Front Glass Fixer for ARC271Y	9	68189	Right Pole for ARC271Y	30	68198	Power Cord for ARC271Y	50
68170	Right Glass Fixer for ARC271Y	10	71110	Door Handle for ARC271Y	31	71086	Rear Frame for ARC271Y	51
68171	Left Glass Fixer for ARC271Y	11	68190	Left Door Frame for ARC271Y	32	71087	Back Grill for ARC271Y	52
68172	Bottom Shelf Holder for ARC271Y	12, 14	71068	Top Upper Door Frame for ARC271Y	33	64750	#4 LED Transformer for ARC271Y	53
68173	Metal Price Tags for ARC271Y	13	68191	Door Glass for ARC271Y	34	71089	Water Tray for ARC271Y	54
68174	Bottom Glass Shelf for ARC271Y	15	68192	Right Door Frame for ARC271Y	35	71133	Power Cord Fixer for ARC271Y	55
68175	Right Top Shelf Holder for ARC271Y	16	71071	Bottom Door Frame for ARC271Y	36	71083	Dryer Filter for ARC271Y	56
68176	Middle LED for ARC271Y	17	71114	Door Glide Wheel for ARC271Y	37	77434	Control Panel for ARC271Y	57
68177	Left Top Shelf Holder for ARC271Y	18	68193	Air In/Outlet for ARC271Y	38	71135	Condenser for ARC271Y	58
68178	Metal Shelf Support for ARC271Y	19	71074	Bottom Black Glass Frame for ARC271Y	39	71136	Fan Bracket for ARC271Y	59, 60
68179	Top Glass Shelf for ARC271Y	20	71121	Screw Cover for ARC271Y	40	68199	Compressor for ARC271Y	61
68180	Left Glass for ARC271Y	21	68194	Pole Fixer Left for ARC271Y	41	71137	Condenser Motor for ARC271Y	62

Parts Breakdown

Model RS-CN-0271-S 44382



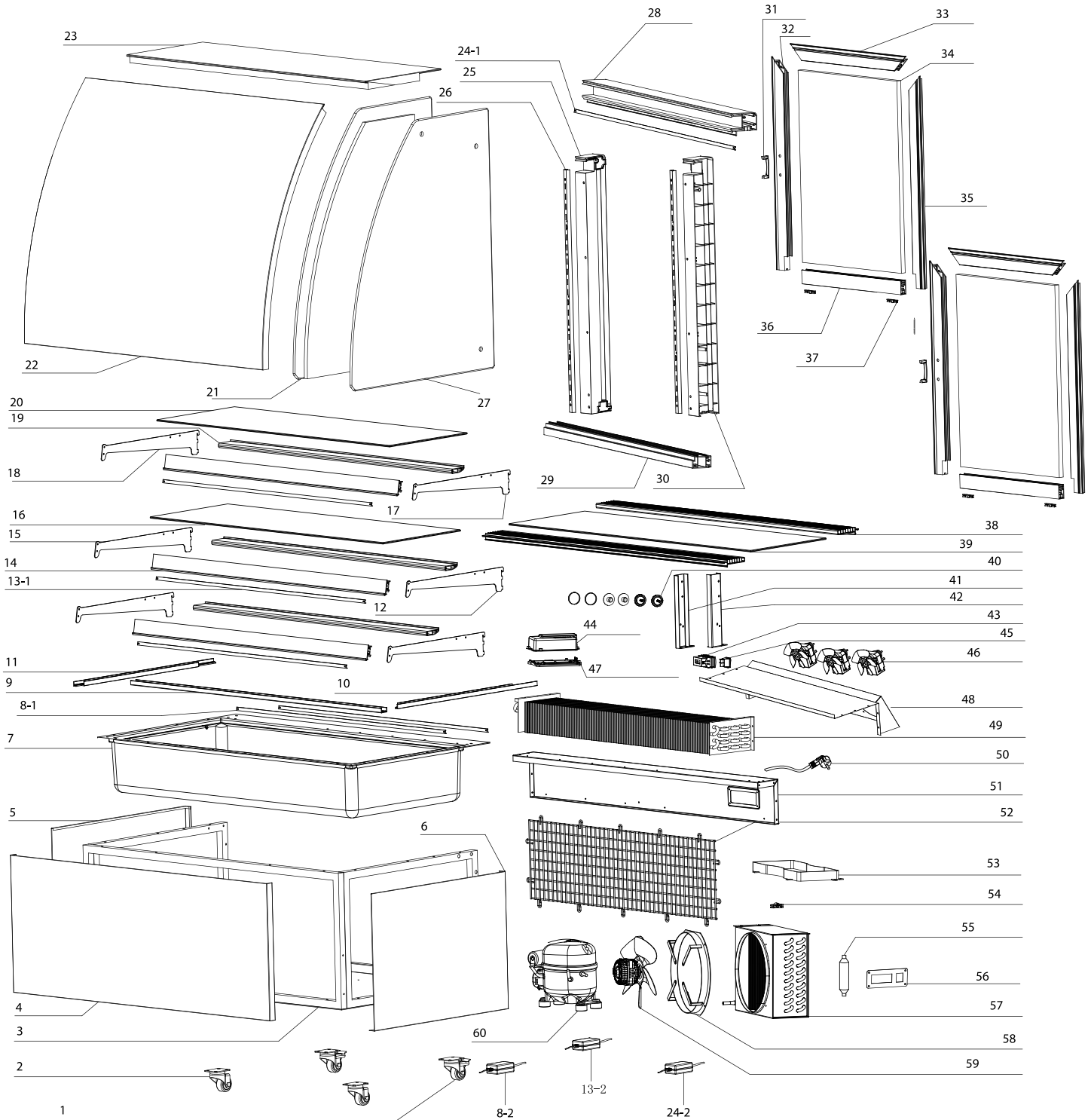
Parts Breakdown

Model RS-CN-0271-S 44382

Item No.	Description	Position	Item No.	Description	Position	Item No.	Description	Position
71042	Rear Swivel Caster with Brake for ARC271Z	1	68202	Front Upper Beam for ARC271Z	23	71123	Digital Control for ARC271Z	44
79763	Swivel Front Castor without Brake for ARC271Z	2	68182	Top Glass for ARC271Z	24	71079	Thermostat Lid for ARC271Z	45
68164	Right Cover for ARC271Z	3	68204	Top LED for ARC271Z	25	71080	Switch for ARC271Z	46
68165	Base for ARC271Z	4	68184	Left Pole for ARC271Z	26	71081	Evaporator Motor for ARC271Z	47
68166	Front Cover for ARC271Z	5	68185	Shelf Holder for ARC271Z	27	71082	Thermostat Base for ARC271Z	48
68167	Left Cover for ARC271Z	6	68205	Right Glass for ARC271Z	28	68197	Evaporator Cover for ARC271Z	49
71046	Evaporator Insulation for ARC271Z	7	68187	Top Frame for ARC271Z	29	71084	Evaporator for ARC271Z	50
68168	Bottom LED for ARC271Z	8	68188	Bottom Frame for ARC271Z	30	68198	Power Cord for ARC271Z	51
68169	Front Glass Fixer for ARC271Z	9	68189	Right Pole for ARC271Z	31	71086	Rear Frame for ARC271Z	52
68170	Right Glass Fixer for ARC271Z	10	71110	Door Handle for ARC271Z	32	71087	Back Grill for ARC271Z	53
68171	Left Glass Fixer for ARC271Z	11	68190	Left Door Frame for ARC271Z	33	64750	#4 LED Transformer for ARC271Z	54
68172	Bottom Shelf Holder for ARC271Z	12, 14	71068	Top Upper Door Frame for ARC271Z	34	71089	Water Tray for ARC271Z	55
68173	Metal Price Tags for ARC271Z	13	68191	Door Glass for ARC271Z	35	71133	Power Cord Fixer for ARC271Z	56
68174	Bottom Glass Shelf for ARC271Z	15	68192	Right Door Frame for ARC271Z	36	71083	Dryer Filter for ARC271Z	57
68175	Right Top Shelf Holder for ARC271Z	16	71071	Bottom Door Frame for ARC271Z	37	77434	Control Panel for ARC271Z	58
68176	Middle LED for ARC271Z	17	71114	Door Glide Wheel for ARC271Z	38	71135	Condenser for ARC271Z	59
68177	Left Top Shelf Holder for ARC271Z	18	68193	Air In/Outlet for ARC271Z	39	71136	Fan Bracket for ARC271Z	60, 61
68178	Metal Shelf Support for ARC271Z	19	71074	Bottom Black Glass Frame for ARC271Z	40	68199	Compressor for ARC271Z	62
68179	Top Glass Shelf for ARC271Z	20	71121	Screw Cover for ARC271Z	41	71137	Condenser Motor for ARC271Z	63
68200	Left Glass for ARC271Z	21	68194	Pole Fixer Left for ARC271Z	42			
68201	Front Glass for ARC271Z	22	68195	Pole Fixer Right for ARC271Z	43			

Parts Breakdown

Model RS-CN-0371 44502





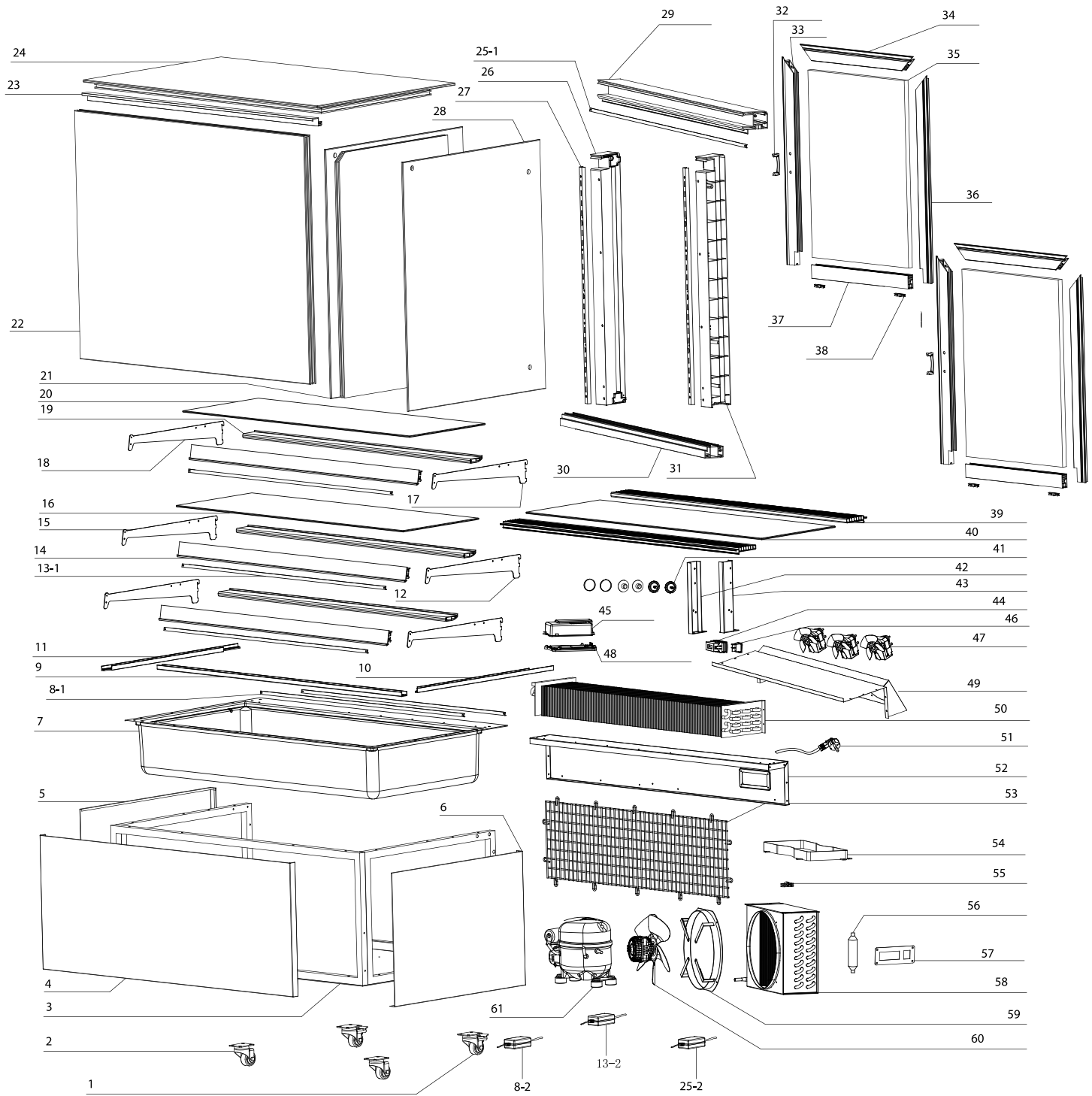
Parts Breakdown

Model RS-CN-0371 44502

Item No.	Description	Position	Item No.	Description	Position	Item No.	Description	Position
71042	Rear Swivel Caster with Brake for ARC371Y	1	68180	Left Glass for ARC371Y	21	68194	Pole Fixer Left for ARC371Y	41
79763	Swivel Front Caster without Brake for ARC371Y	2	68215	Front Glass for ARC371Y	22	68195	Pole Fixer Right for ARC371Y	42
68206	Base for ARC371Y	3	68216	Top Glass for ARC371Y	23	77434	Control Panel for ARC371Y	43
68207	Front Cover for ARC371Y	4	68176	Middle LED for ARC371Y	24-1	71079	Thermostat Lid for ARC371Y	44
68166	Right Cover for ARC371Y	5	68184	Left Pole for ARC371Y	25	68220	Switch for ARC371Y	45
68167	Left Cover for ARC371Y	6	64751	#2 LED Transformer for ARC371Y	25-2	71081	Evaporator Motor for ARC371Y	46
71094	Evaporator Insulation for ARC371Y	7	68185	Shelf Holder for ARC371Y	26	71082	Thermostat Base for ARC371Y	47
68208	Bottom LED for ARC371Y	8-1	68186	Right Glass for ARC371Y	27	68221	Evaporator Cover for ARC371Y	48
68222	#4 LED Driver for ARC371Y	8-2, 13-2	68217	Top Frame for ARC371Y	28	71127	Evaporator for ARC371Y	49
68209	Front Glass Fixer for ARC371Y	9	68218	Bottom Frame for ARC371Y	29	71085	Power Cord for ARC371Y	50
68171	Left Glass Fixer for ARC371Y	10	68189	Right Pole for ARC371Y	30	71129	Rear Frame for ARC371Y	51
68170	Right Glass Fixer for ARC371Y	11	71110	Door Handle for ARC371Y	31	71130	Back Grill for ARC371Y	52
68172	Bottom Shelf Holder for ARC371Y	12	68190	Left Door Frame for ARC371Y	32	71089	Water Tray for ARC371Y	53
71149	LED Lighter for ARC371Y	13-1	71111	Upper Door Frame for ARC371Y	33	71133	Power Cord Fixer for ARC371Y	54
68210	Metal Price Tags for ARC371Y	14	71112	Glass Door for ARC371Y	34	71083	Dryer Filter for ARC371Y	55
68211	Left Bottom Shelf Holder for ARC371Y	15	68192	Right Door Frame for ARC371Y	35	71123	Digital Control for ARC371Y	56
68212	Bottom Glass Shelf for ARC371Y	16	71114	Door Glide Wheel for ARC371Y	36	71135	Condenser for ARC371Y	57
68175	Right Top Shelf Holder for ARC371Y	17	71167	Bottom Door Frame for ARC371Y	37	71136	Fan Bracket for ARC371Y	58
68177	Left Top Shelf Holder for ARC371Y	18	68219	Air In/Outlet for ARC371Y	38	71137	Condenser Motor for ARC371Y	59
68213	Metal Shelf Support for ARC371Y	19	79761	Bottom Black Glass Frame for ARC371Y	39	68199	Compressor for ARC371Y	60
68214	Top Glass Shelf for ARC371Y	20	71121	Screw Cover for ARC371Y	40			

Parts Breakdown

Model RS-CN-0371-S 44383





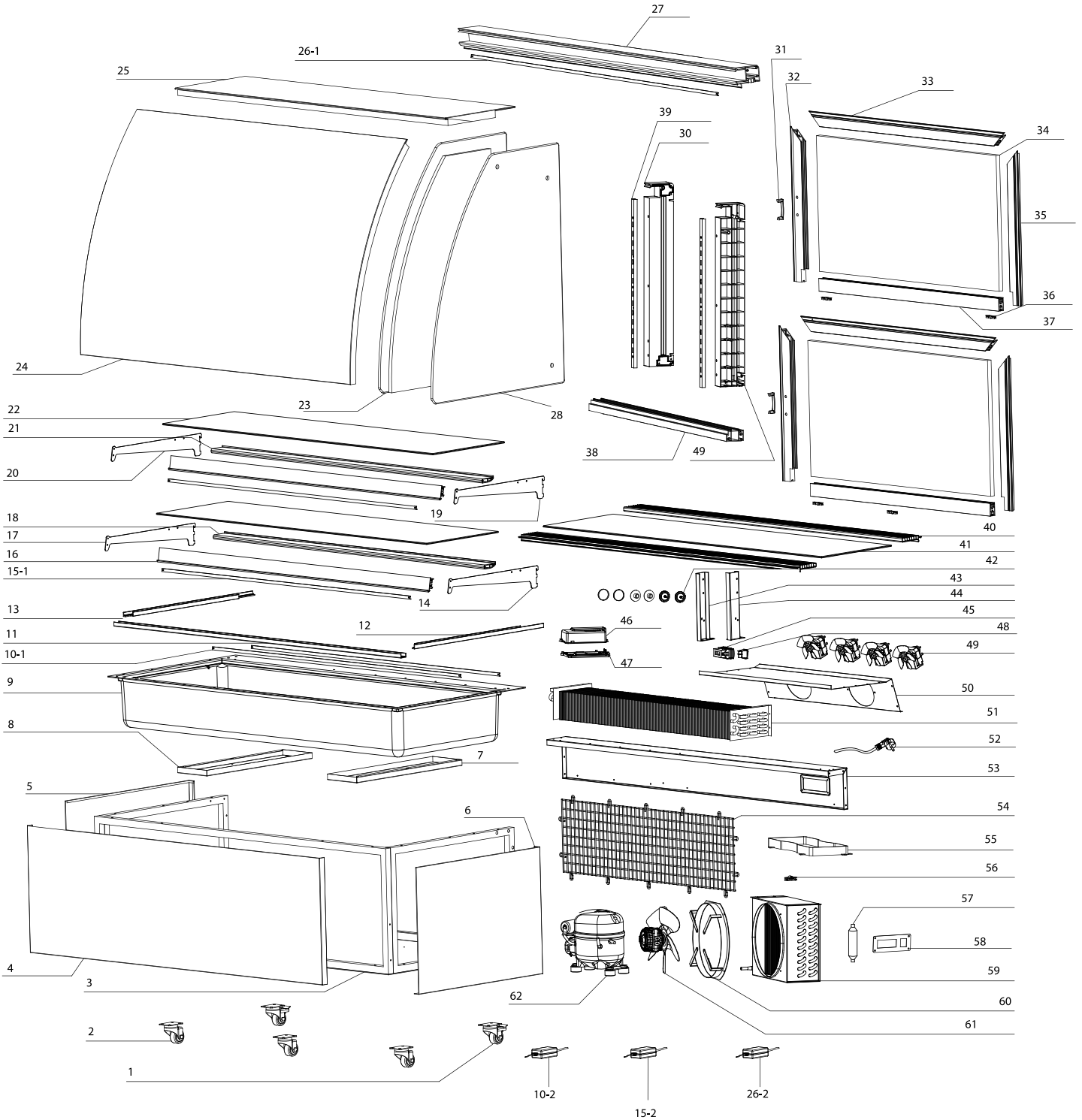
Parts Breakdown

Model RS-CN-0371-S 44383

Item No.	Description	Position	Item No.	Description	Position	Item No.	Description	Position
71042	Rear Swivel Caster with Brake for ARC371Z	1	68200	Left Glass for ARC371Z	21	71121	Screw Cover for ARC371Z	41
79763	Swivel Front Caster without Brake for ARC371Z	2	68223	Front Glass for ARC371Z	22	68194	Pole Fixer Left for ARC371Z	42
68206	Base for ARC371Z	3	79762	Front Upper Beam for ARC371Z	23	68195	Pole Fixer Right for ARC371Z	43
68207	Front Cover for ARC371Z	4	68224	Top Glass for ARC371Z	24	71123	Digital Control for ARC371Z	44
68166	Right Cover for ARC371Z	5	68176	Top LED for ARC371Z	25-1	71079	Thermostat Lid for ARC371Z	45
68167	Left Cover for ARC371Z	6	64751	#2 LED Transformer for ARC371Z	25-2	71080	Switch for ARC371Z	46
71094	Evaporator Insulation for ARC371Z	7	68184	Left Pole for ARC371Z	26	71081	Evaporator Motor for ARC371Z	47
68208	Bottom LED for ARC371Z	8-1	68185	Shelf Holder for ARC371Z	27	71082	Thermostat Base for ARC371Z	48
64750	#4 LED Transformer for ARC371Z	8-2, 13-2	68205	Right Glass for ARC371Z	28	68227	Evaporator Cover for ARC371Z	49
68209	Front Glass Fixer for ARC371Z	9	68217	Top Frame for ARC371Z	29	71127	Evaporator for ARC371Z	50
68171	Left Glass Fixer for ARC371Z	10	68218	Bottom Frame for ARC371Z	30	68198	Power Cord for ARC371Z	51
68170	Right Glass Fixer for ARC371Z	11	68189	Right Pole for ARC371Z	31	71129	Rear Frame for ARC371Z	52
68172	Bottom Shelf Holder for ARC371Z	12	71110	Door Handle for ARC371Z	32	71130	Back Grill for ARC371Z	53
71149	LED Lighter for ARC371Z	13-1	68190	Left Door Frame for ARC371Z	33	71089	Water Tray for ARC371Z	54
68210	Metal Price Tags for ARC371Z	14	71111	Upper Door Frame for ARC371Z	34	71133	Power Cord Fixer for ARC371Z	55
68211	Left Bottom Shelf Holder for ARC371Z	15	71112	Glass Door for ARC371Z	35	71083	Dryer Filter for ARC371Z	56
68212	Bottom Glass Shelf for ARC371Z	16	68192	Right Door Frame for ARC371Z	36	77434	Control Panel for ARC371Z	57
68175	Right Top Shelf Holder for ARC371Z	17	71114	Door Glide Wheel for ARC371Z	37	71135	Condenser for ARC371Z	58
68177	Left Top Shelf Holder for ARC371Z	18	71167	Bottom Door Frame for ARC371Z	38	71136	Fan Bracket for ARC371Z	59
68213	Metal Shelf Support for ARC371Z	19	68219	Air In/Outlet for ARC371Z	39	71137	Condenser Motor for ARC371Z	60
68214	Top Glass Shelf for ARC371Z	20	79761	Bottom Black Glass Frame for ARC371Z	40	68199	Compressor for ARC371Z	61

Parts Breakdown

Model RS-CN-0471 44503



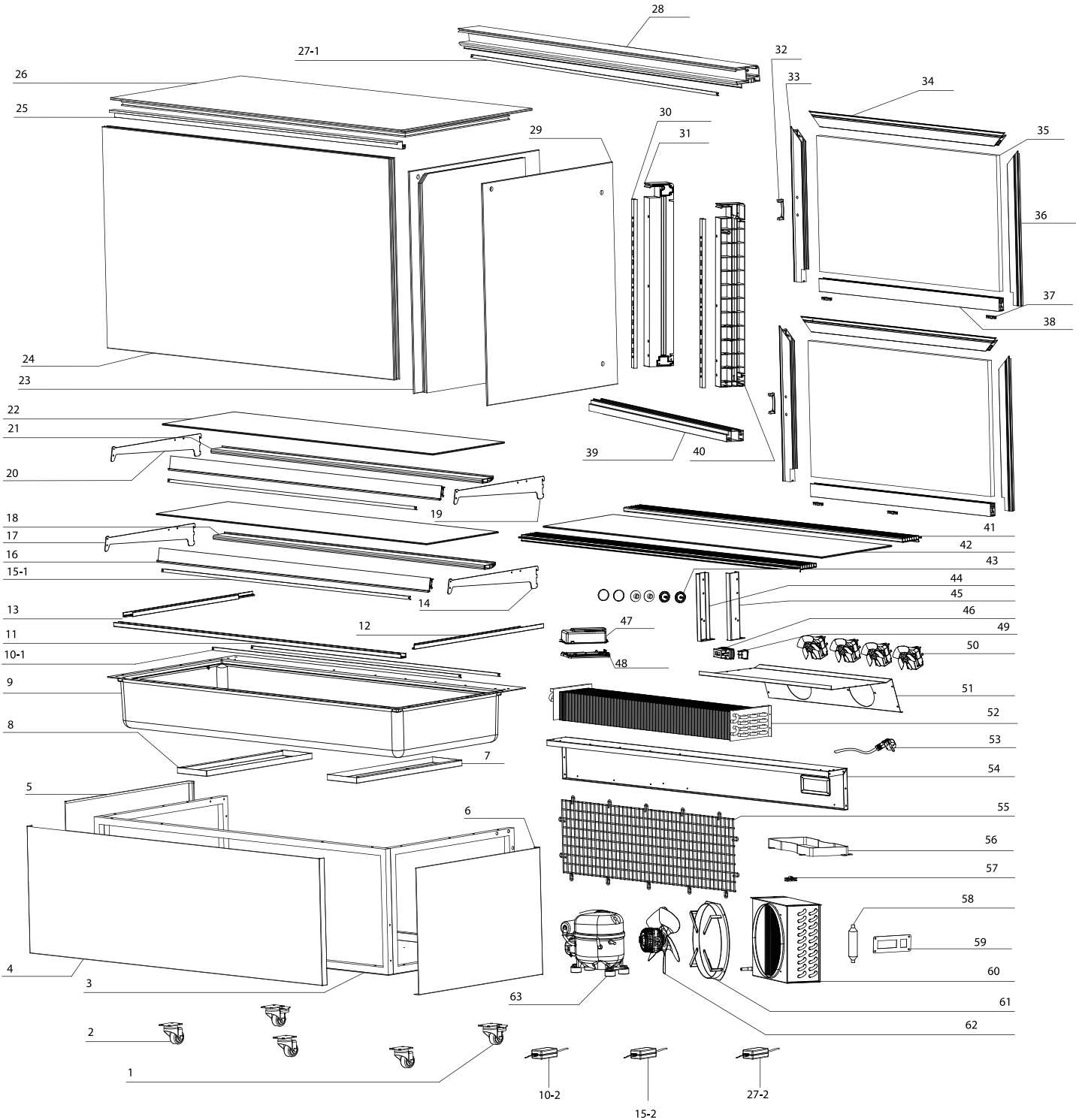
Parts Breakdown

Model RS-CN-0471 44503

Item No.	Description	Position	Item No.	Description	Position	Item No.	Description	Position
71042	Rear Swivel Caster with Brake for ARC471Y	1	68238	Metal Shelf Support for ARC471Y	21	71121	Screw Cover for ARC471Y	42
79763	Swivel Front Castor without Brake for ARC471Y	2	68239	Top Glass Shelf for ARC471Y	22	68194	Pole Fixer Left for ARC471Y	43
68228	Base for ARC471Y	3	68180	Left Glass for ARC471Y	23	68195	Pole Fixer Right for ARC471Y	44
68167	Left Cover for ARC471Y	4	68240	Front Glass for ARC471Y	24	68220	Switch for ARC471Y	45
68229	Front Cover for ARC471Y	5	68241	Top Glass for ARC471Y	25	71079	Thermostat Lid for ARC471Y	46
68164	Right Cover for ARC471Y	6	68242	Top LED for ARC471Y	26	71082	Thermostat Base for ARC471Y	47
68230	Left Blister Barrel Fixing Plate for ARC471Y	7	68243	Top Frame for ARC471Y	27-1	68196	Switch for ARC471Y	48
68231	Right Blister Barrel Fixing Plate for ARC471Y	8	64751	#2 LED Transformer for ARC471Y	27-2	71081	Evaporator Motor for ARC471Y	49
68232	Evaporator Insulation for ARC471Y	9	68186	Right Glass for ARC471Y	28	68227	Evaporator Cover for ARC471Y	50
68208	Bottom LED for ARC471Y	10-1	68185	Shelf Holder for ARC471Y	29	71127	Evaporator for ARC471Y	51
68222	#4 LED Driver for ARC471Y	10-2	68184	Left Pole for ARC471Y	30	71085	Power Cord for ARC471Y	52
68233	Front Glass for ARC471Y	11	71110	Door Handle for ARC471Y	31	68249	Rear Frame for ARC471Y	53
71048	Right Glass Fixer for ARC471Y	12	71162	Left Door Frame for ARC471Y	32	68250	Back Grill for ARC471Y	54
71049	Left Glass Fixer for ARC471Y	13	71111	Upper Door Frame for ARC471Y	33	71089	Water Tray for ARC471Y	55
68172	Bottom Shelf Holder for ARC471Y	14	68244	Door Glass for ARC471Y	34	71133	Power Cord Fixer for ARC471Y	56
68234	Middle LED for ARC471Y	15-1	68192	Right Door Frame for ARC471Y	35	71083	Dryer Filter for ARC471Y	57
68235	#2 LED Driver for ARC471Y	15-2	71114	Door Glide Wheel for ARC471Y	36	71123	Digital Control for ARC471Y	58
68236	Metal Price Tags for ARC471Y	16	68245	Bottom Door Frame for ARC471Y	37	71135	Condenser for ARC471Y	59
68211	Left Bottom Shelf Holder for ARC471Y	17	68246	Bottom Frame for ARC471Y	38	71136	Fan Bracket for ARC471Y	60
68237	Bottom Glass Shelf for ARC471Y	18	68189	Right Pole for ARC471Y	39	71137	Condenser Motor for ARC471Y	61
68175	Right Top Shelf Holder for ARC471Y	19	68247	Air In/Outlet for ARC471Y	40	68199	Compressor for ARC471Y	62
68177	Left Top Shelf Holder for ARC471Y	20	68248	Bottom Black Glass Frame for ARC471Y	41			

Parts Breakdown

Model RS-CN-0471-S 44384





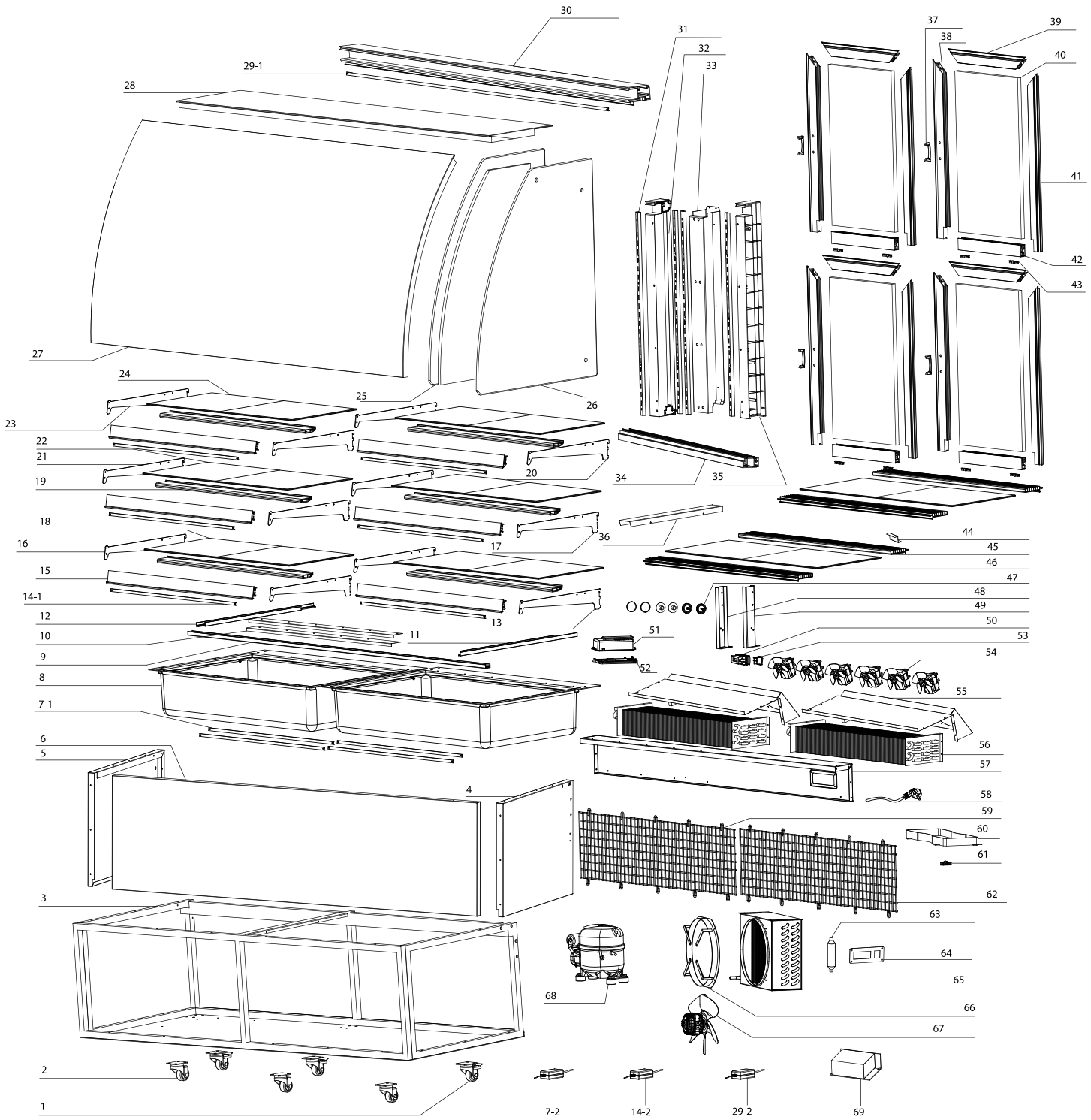
Parts Breakdown

Model RS-CN-0471-S 44384

Item No.	Description	Position	Item No.	Description	Position	Item No.	Description	Position
71042	Rear Swivel Caster with Brake for ARC471Z	1	68238	Metal Shelf Support for ARC471Z	21	68248	Bottom Black Glass Frame for ARC471Z	42
79763	Swivel Front Caster without Brake for ARC471Z	2	68239	Top Glass Shelf for ARC471Z	22	71121	Screw Cover for ARC471Z	43
68228	Base for ARC471Z	3	68200	Left Glass for ARC471Z	23	68194	Pole Fixer Left for ARC471Z	44
68167	Left Cover for ARC471Z	4	68252	Front Glass for ARC471Z	24	68195	Pole Fixer Right for ARC471Z	45
68229	Front Cover for ARC471Z	5	68253	Front Upper Beam for ARC471Z	25	71123	Digital Control for ARC471Z	46
68164	Right Cover for ARC471Z	6	68254	Top Glass for ARC471Z	26	71079	Thermostat Lid for ARC471Z	47
68230	Left Blister Barrel Fixing Plate for ARC471Z	7	68242	Top LED for ARC471Z	27-1	71082	Thermostat Base for ARC471Z	48
68231	Right Blister Barrel Fixing Plate for ARC471Z	8	64751	#2 LED Transformer for ARC471Z	27-2	71080	Switch for ARC471Z	49
68232	Evaporator Insulation for ARC471Z	9	68243	Top Frame for ARC471Z	28	71081	Evaporator Motor for ARC471Z	50
68208	Bottom LED for ARC471Z	10-1	68205	Right Glass for ARC471Z	29	68255	Evaporator Cover for ARC471Z	51
68251	#4 LED Driver for ARC471Z	10-2	68185	Shelf Holder for ARC471Z	30	71127	Evaporator for ARC471Z	52
68233	Front Glass Fixer for ARC471Z	11	68184	Left Pole for ARC471Z	31	68198	Power Cord for ARC471Z	53
71048	Right Glass Fixer for ARC471Z	12	71110	Door Handle for ARC471Z	32	68249	Rear Frame for ARC471Z	54
71049	Left Glass Fixer for ARC471Z	13	71162	Left Door Frame for ARC471Z	33	68250	Back Grill for ARC471Z	55
68172	Bottom Shelf Holder for ARC471Z	14	71111	Upper Door Frame for ARC471Z	34	71089	Water Tray for ARC471Z	56
68234	Middle LED for ARC471Z	15-1	68244	Door Glass for ARC471Z	35	71133	Power Cord Fixer for ARC471Z	57
64750	#4 LED Transformer for ARC471Z	15-2	68192	Right Door Frame for ARC471Z	36	71083	Dryer Filter for ARC471Z	58
68236	Metal Price Tags for ARC471Z	16	71114	Door Glide Wheel for ARC471Z	37	77434	Control Panel for ARC471Z	59
68211	Left Bottom Shelf Holder for ARC471Z	17	68245	Bottom Door Frame for ARC471Z	38	71135	Condenser for ARC471Z	60
68237	Bottom Glass Shelf for ARC471Z	18	68246	Bottom Frame for ARC471Z	39	71136	Fan Bracket for ARC471Z	61
68175	Right Top Shelf Holder for ARC471Z	19	68189	Right Pole for ARC471Z	40	71137	Condenser Motor for ARC471Z	62
68177	Left Top Shelf Holder for ARC471Z	20	68247	Air In/Outlet for ARC471Z	41	68199	Compressor for ARC471Z	63

Parts Breakdown

Model RS-CN-0571 44504





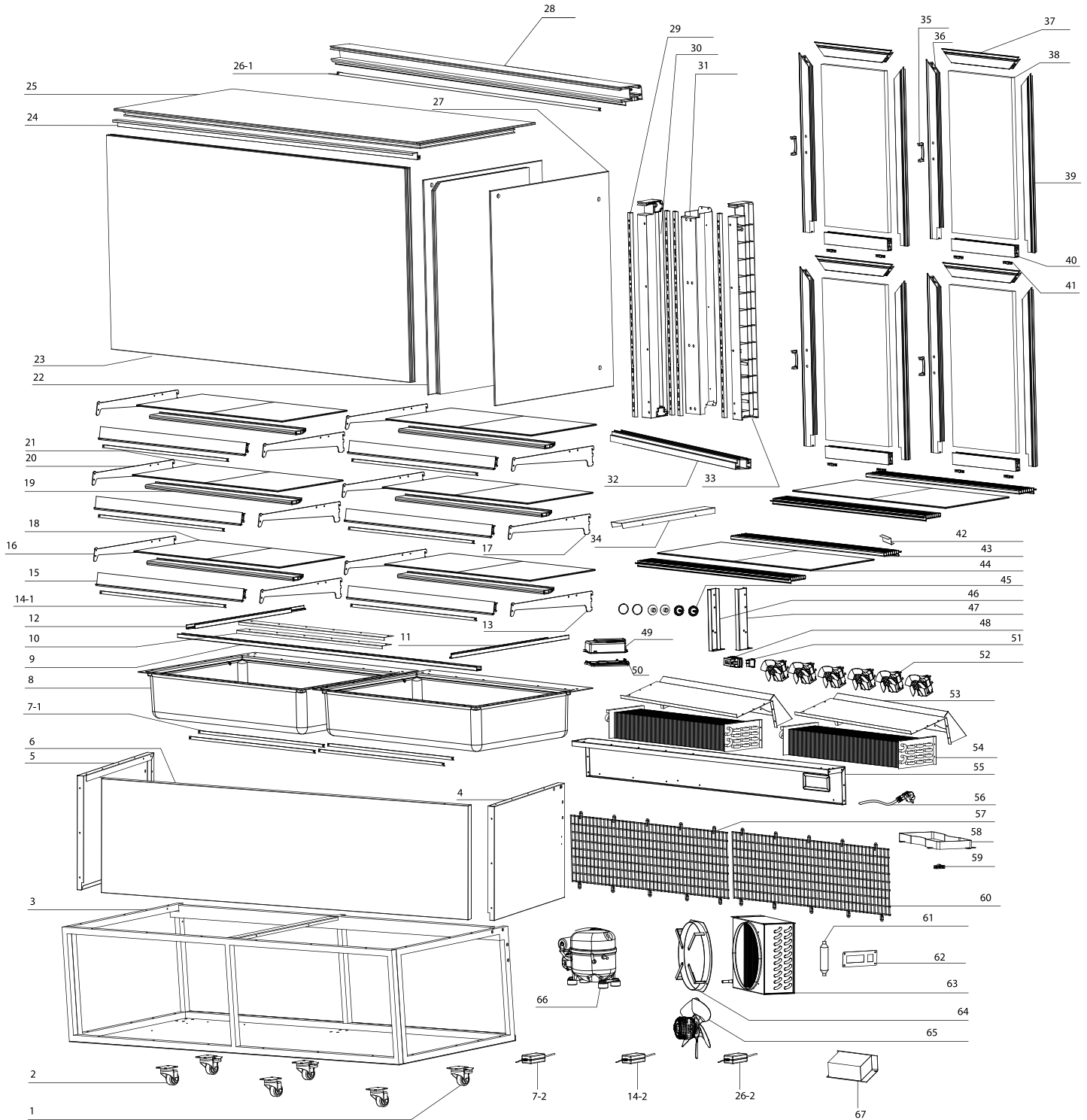
Parts Breakdown

Model RS-CN-0571 44504

Item No.	Description	Position	Item No.	Description	Position	Item No.	Description	Position
71042	Rear Swivel Caster with Brake for ARC571Y	1	68276	Right Top Shelf Holder for ARC571Y	23	71121	Screw Cover for ARC571Y	47
79763	Swivel Front Caster without Brake for ARC571Y	2	71155	Left Side Glass for ARC571Y	25	71171	Left Pole Fixer for ARC571Y	48
68203	Base for ARC571Y	3	64880	Right Side Glass for ARC571Y	26	71077	Pole Fixer (Right) for ARC571Y	49
68225	Right Cover for ARC571Y	4	68277	Front Glass for ARC571Y	27	71123	Digital Control for ARC571Y	50
68226	Left Cover for ARC571Y	5	68278	Top Glass for ARC571Y	28	71079	Thermostat Lid for ARC571Y	51
68268	Front Cover for ARC571Y	6	68279	Top LED for ARC571Y	29-1	71082	Thermostat Base for ARC571Y	52
68168	Bottom LED for ARC571Y	7-1	64751	#2 LED Transformer for ARC571Y	29-2	68196	Switch for ARC571Y	53
68251	#4 LED Driver for ARC571Y	7-2	68280	Top Frame for ARC571Y	30	71081	Evaporator Motor for ARC571Y	54
71046	Evaporator Insulation for ARC571Y	8	71153	Shelf Holder for ARC571Y	31	71126	Evaporator Cover for ARC571Y	55
68269	Front Glass Fixer for ARC571Y	9	71164	Left Pole Cover for ARC571Y	32	71127	Evaporator for ARC571Y	56
68270	After Air Vent Fixed Parts for ARC571Y	10	68281	Middle Column for ARC571Y	33	68285	Rear Frame for ARC571Y	57
68271	Right Glass Fixer for ARC571Y	11	68282	Bottom Frame for ARC571Y	34	71085	Power Cord for ARC571Y	58
68272	Left Glass Fixer for ARC571Y	12	71065	Right Pole for ARC571Y	35	71087	Back Grill for ARC571Y	59, 62
68172	Bottom Shelf Holder for ARC571Y	13	68283	Middle Cover Plate for ARC571Y	36	71089	Water Tray for ARC571Y	60
68176	Middle LED for ARC571Y	14-1	71110	Door Handle for ARC571Y	37	71133	Power Cord Fixer for ARC571Y	61
64750	#4 LED Transformer for ARC571Y	14-2	71162	Left Door Frame for ARC571Y	38	71083	Dryer Filter for ARC571Y	63
71052	Metal Price Tags for ARC571Y	15	71068	Top Upper Door Frame for ARC571Y	39	68220	Switch for ARC571Y	64
68211	Left Bottom Shelf Holder for ARC571Y	16	68244	Door Glass for ARC571Y	40	68286	Condenser for ARC571Y	65
68175	Right Top Shelf Holder for ARC571Y	17	71113	Right Door Frame for ARC571Y	41	71136	Fan Bracket for ARC571Y	66
68273	Bottom Glass Shelf for ARC571Y	18	71071	Bottom Door Frame for ARC571Y	42	68287	Condenser Fan Motor for ARC571Y	67
71057	Metal Shelf Support for ARC571Y	19	71114	Door Glide Wheel for ARC571Y	43	68199	Compressor for ARC571Y	68
68274	Left Top Shelf Holder for ARC571Y	20	68284	Glass Strutting Piece for ARC571Y	44	68288	Transformer for ARC571Y	69
68177	Left Top Shelf Holder for ARC571Y	21	68193	Air In/Outlet for ARC571Y	45			
68275	Middle/Top Glass Shelf for ARC571Y	22, 24	71074	Bottom Black Glass Frame for ARC571Y	46			

Parts Breakdown

Model RS-CN-0571-S 44505





Parts Breakdown

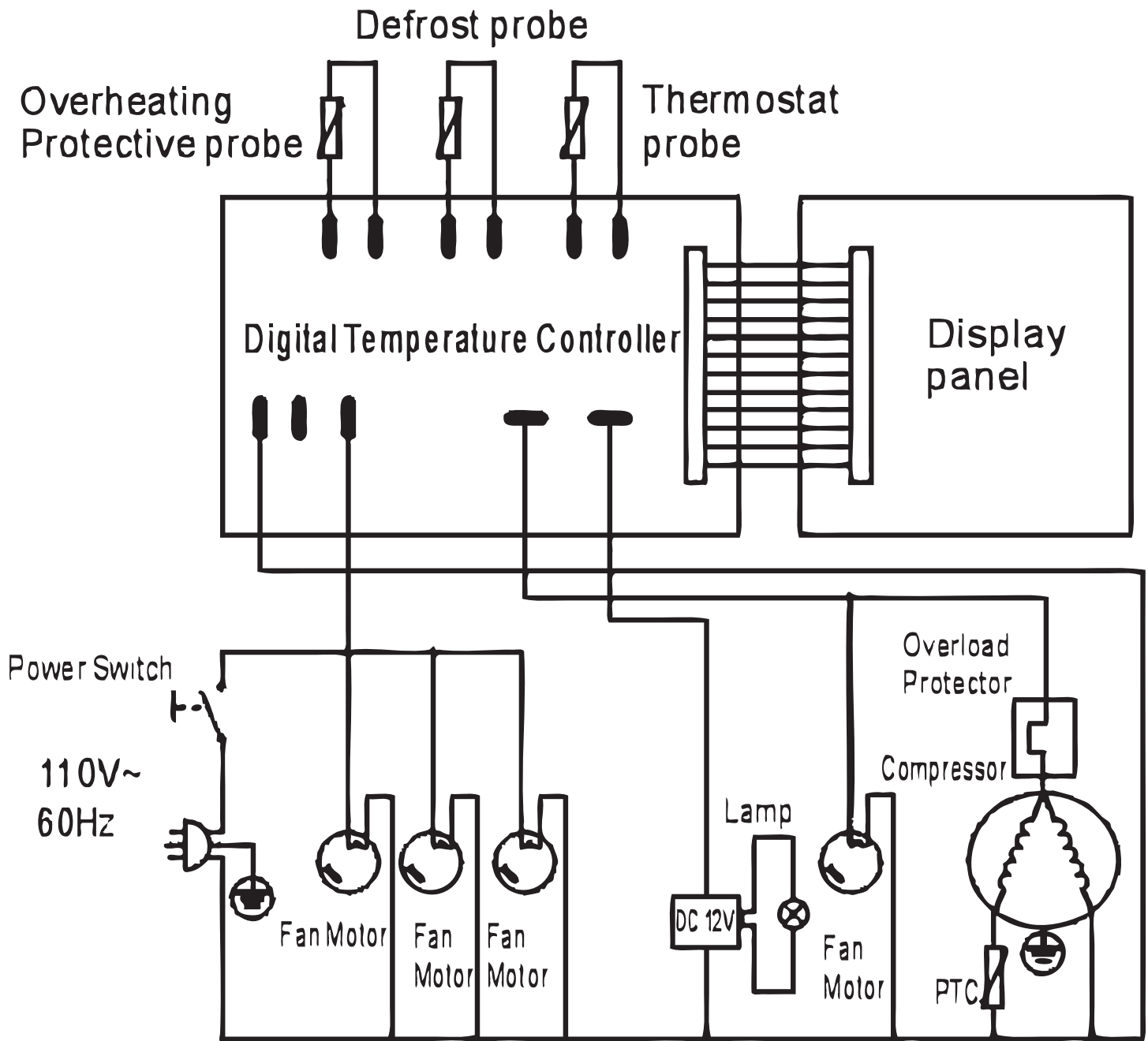
Model RS-CN-0571-S 44505

Item No.	Description	Position	Item No.	Description	Position	Item No.	Description	Position
71042	Rear Swivel Caster with Brake for ARC571Z	1	71155	Left Side Glass for ARC571Z	22	71074	Bottom Black Glass Frame for ARC571Z	44
79763	Swivel Front Castor without Brake for ARC571Z	2	68277	Front Glass for ARC571Z	23	71121	Screw Cover for ARC571Z	45
68203	Base for ARC571Z	3	68289	Front Upper Beam for ARC571Z	24	71171	Left Pole Fixer for ARC571Z	46
68225	Right Cover for ARC571Z	4	68278	Top Glass for ARC571Z	25	71077	Pole Fixer (Right) for ARC571Z	47
68226	Left Cover for ARC571Z	5	68279	Top LED for ARC571Z	26-1	71123	Digital Control for ARC571Z	48
68268	Front Cover for ARC571Z	6	64751	#2 LED Transformer for ARC571Z	26-2	71079	Thermostat Lid for ARC571Z	49
68168	Bottom LED for ARC571Z	7-1	64880	Right Side Glass for ARC571Z	27	71082	Thermostat Base for ARC571Z	50
68251	#4 LED Driver for ARC571Z	7-2	68280	Top Frame for ARC571Z	28	68196	Switch for ARC571Z	51
71046	Evaporator Insulation for ARC571Z	8	71153	Shelf Holder for ARC571Z	29	71081	Evaporator Motor for ARC571Z	52
68269	Front Glass Fixer for ARC571Z	9	71164	Left Pole Cover for ARC571Z	30	71126	Evaporator Cover for ARC571Z	53
68270	After Air Vent Fixed Parts for ARC571Z	10	68281	Middle Column for ARC571Z	31	71127	Evaporator for ARC571Z	54
68271	Right Glass Fixer for ARC571Z	11	68282	Bottom Frame for ARC571Z	32	68285	Rear Frame for ARC571Z	55
68272	Left Glass Fixer for ARC571Z	12	71065	Right Pole for ARC571Z	33	71085	Power Cord for ARC571Z	56
68172	Bottom Shelf Holder for ARC571Z	13	68283	Middle Cover Plate for ARC571Z	34	71087	Back Grill for ARC571Z	57, 60
68176	Middle LED for ARC571Z	14-1	71110	Door Handle for ARC571Z	35	71089	Water Tray for ARC571Z	58
64750	#4 LED Transformer for ARC571Z	14-2	71162	Left Door Frame for ARC571Z	36	71133	Power Cord Fixer for ARC571Z	59
71052	Metal Price Tags for ARC571Z	15	71068	Top Upper Door Frame for ARC571Z	37	71083	Dryer Filter for ARC571Z	61
68211	Left Bottom Shelf Holder for ARC571Z	16	68244	Door Glass for ARC571Z	38	71123	Digital Control for ARC571Z	62
68175	Right Top Shelf Holder for ARC571Z	17	71113	Right Door Frame for ARC571Z	39	68286	Condenser for ARC571Z	63
68273	Bottom Glass Shelf for ARC571Z	18	71071	Bottom Door Frame for ARC571Z	40	71136	Fan Bracket for ARC571Z	64
71057	Metal Shelf Support for ARC571Z	19	71114	Door Glide Wheel for ARC571Z	41	68287	Condenser Fan Motor for ARC571Z	65
68177	Left Top Shelf Holder for ARC571Z	20	68284	Glass Strutting Piece for ARC571Z	42	68199	Compressor for ARC571Z	66
68275	Middle/Top Glass Shelf for ARC571Z	21	68193	Air In/Outlet for ARC571Z	43	68288	Transformer for ARC571Z	68

Electrical Schematics

Model RS-CN-0271 44387

Model RS-CN-0271-S 44382



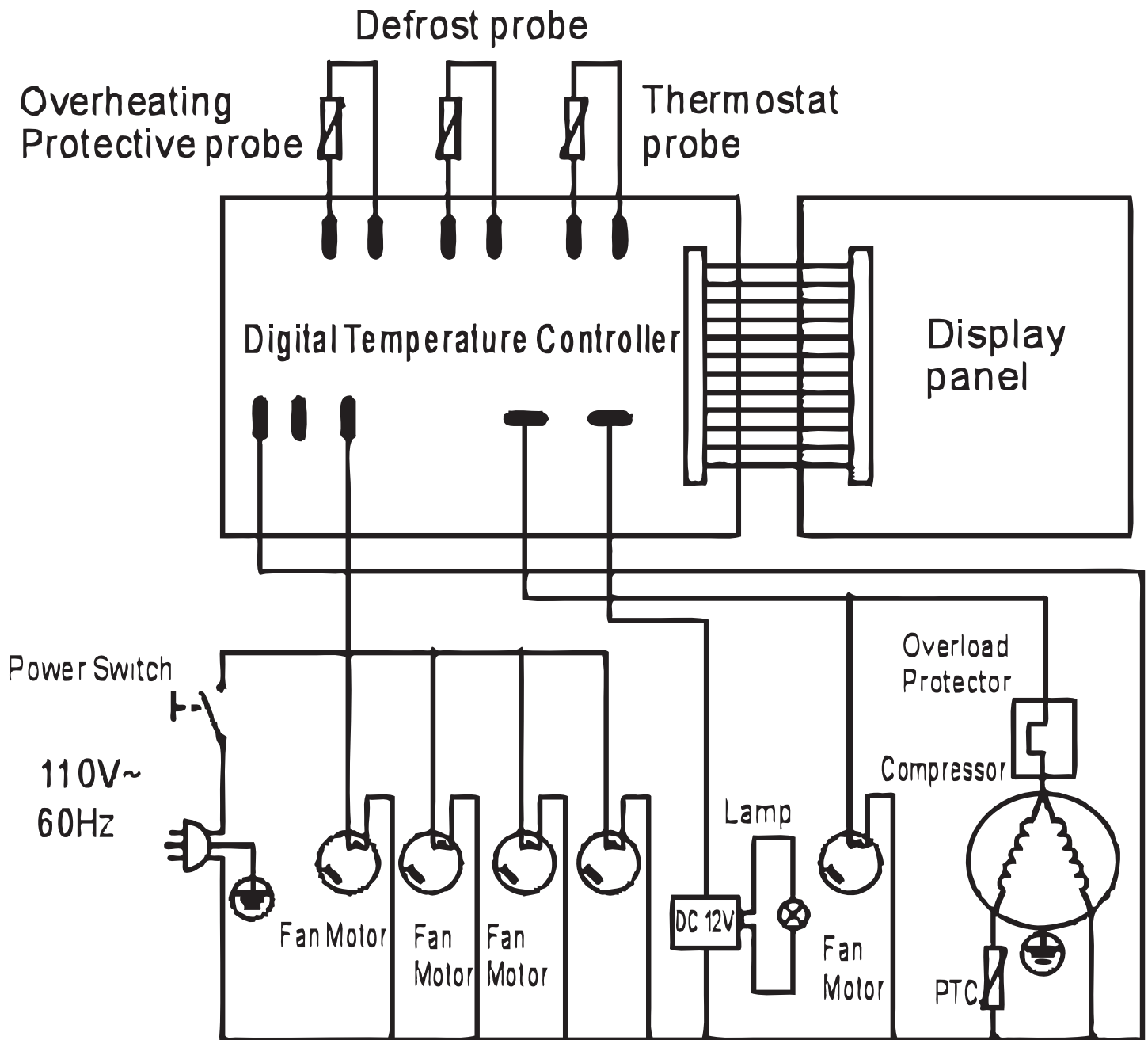
Electrical Schematics

Model RS-CN-0371 44502

Model RS-CN-0371-S 44383

Model RS-CN-0471 44503

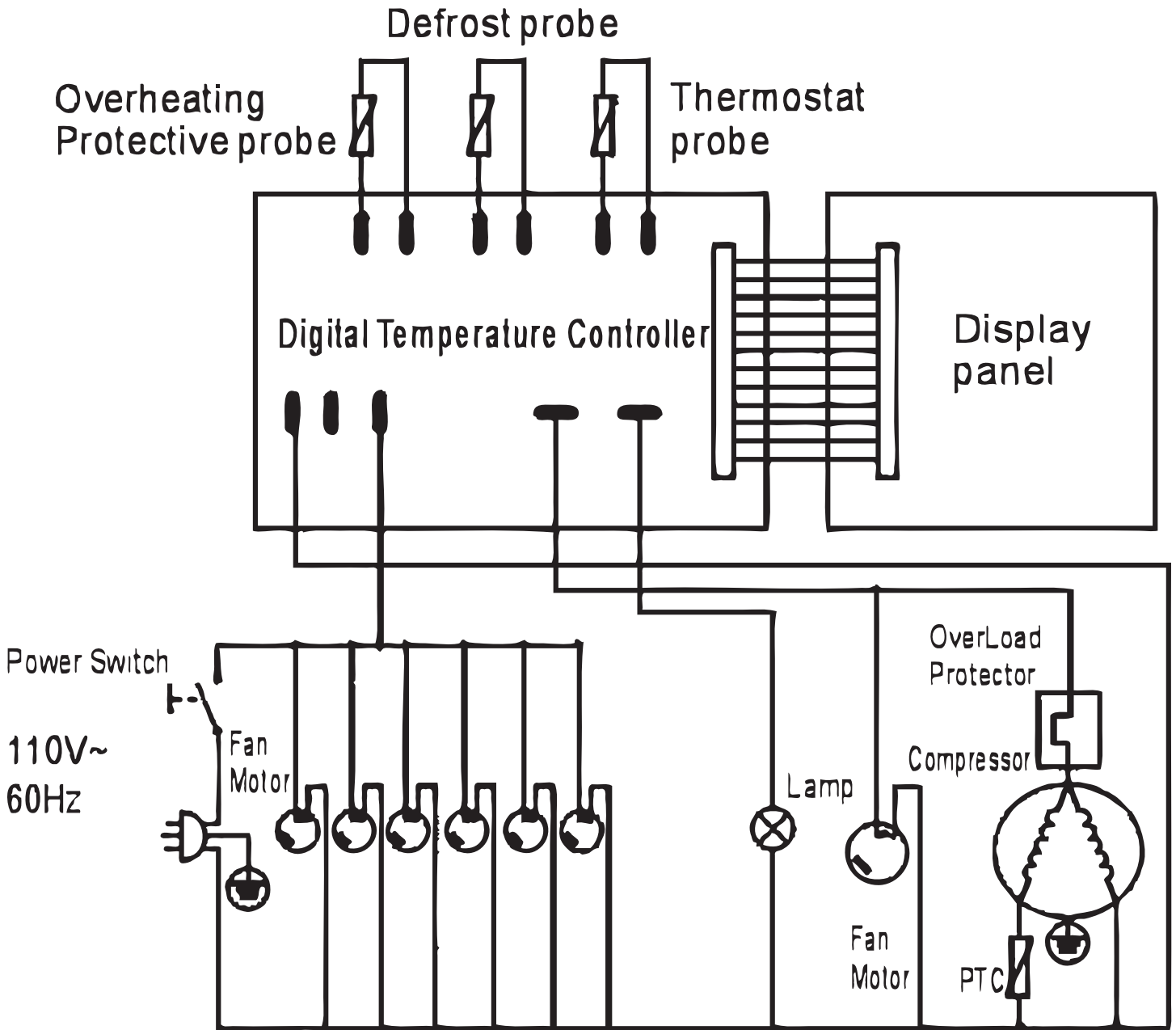
Model RS-CN-0471-S 44384



Electrical Schematics

Model RS-CN-0571 44504

Model RS-CN-0571-S 44505





Warranty Registration

Thank you for purchasing an Omcan product. To register your warranty for this product, complete the information below, tear off the card at the perforation and then send to the address specified below. You can also register online by visiting:

Merci d'avoir acheté un produit Omcan. Pour enregistrer votre garantie pour ce produit, complétez les informations ci-dessous, détachez la carte au niveau de la perforation, puis l'envoyer à l'adresse spécifiée ci-dessous. Vous pouvez également vous inscrire en ligne en visitant:

Gracias por comprar un producto Omcan usted. Para registrar su garantía para este producto, complete la información a continuación, cortar la tarjeta en la perforación y luego enviarlo a la dirección indicada a continuación. También puede registrarse en línea en:

<https://omcan.com/warranty-registration/>

For mailing in Canada

Pour postale au Canada

Por correo en Canadá

OMCAN

PRODUCT WARRANTY REGISTRATION

3115 Pepper Mill Court,

Mississauga, Ontario

Canada, L5L 4X5

For mailing in the US

Pour diffusion aux États-Unis

Por correo en los EE.UU.

OMCAN

PRODUCT WARRANTY REGISTRATION

4450 Witmer Industrial Estates, Unit 4,

Niagara Falls, New York

USA, 14305

or email to: service@omcan.com



Purchaser's Information

Name: _____

Address: _____

City: _____ Province or State: _____ Postal or Zip: _____

Country: _____

Dealer from which Purchased: _____

Dealer City: _____ Dealer Province or State: _____

Invoice: _____

Model Name: _____ Model Number: _____

Machine Description: _____

Date of Purchase (MM/DD/YYYY): _____

Would you like to extend the warranty? Yes No

Company Name: _____

Telephone: _____

Email Address: _____

Type of Company:

Restaurant Bakery Deli

Butcher Supermarket Caterer

Institution (specify): _____

Other (specify): _____

Serial Number: _____

Date of Installation (MM/DD/YYYY): _____

Thank you for choosing Omcan | Merci d'avoir choisi Omcan | Gracias por elegir Omcan



Since 1951 Omcan has grown to become a leading distributor of equipment and supplies to the North American food service industry. Our success over these many years can be attributed to our commitment to strengthen and develop new and existing relationships with our valued customers and manufacturers. Today with partners in North America, Europe, Asia and South America, we continually work to improve and grow the company. We strive to offer customers exceptional value through our qualified local sales and service representatives who provide convenient access to over 5,000 globally sourced products.

Depuis 1951 Omcan a grandi pour devenir un des “leaders” de la distribution des équipements et matériel pour l’industrie des services alimentaires en Amérique du Nord. Notre succès au cours de ces nombreuses années peut être attribué à notre engagement à renforcer et à développer de nouvelles et existantes relations avec nos clients et les fabricants de valeur. Aujourd’hui avec des partenaires en Amérique du Nord, Europe, Asie et Amérique du Sud, nous travaillons continuellement à améliorer et développer l’entreprise. Nous nous efforçons d’offrir à nos clients une valeur exceptionnelle grâce à nos ventes locales qualifiées et des représentants de service qui offrent un accès facile à plus de 5000 produits provenant du monde entier.

Desde 1951 Omcan ha crecido hasta convertirse en un líder en la distribución de equipos y suministros de alimentos en América del Norte industria de servicios. Nuestro éxito en estos años se puede atribuir a nuestro compromiso de fortalecer y desarrollar nuevas relaciones existentes con nuestros valiosos clientes y fabricantes. Hoy con socios de América del Norte, Europa, Asia y América del Sur, que trabajan continuamente para mejorar y crecer la empresa. Nos esforzamos por ofrecer a nuestros clientes valor excepcional a través de nuestro local de ventas y representantes de los servicios que proporcionan un fácil acceso a más de 5,000 productos con origen a nivel mundial.

