



ITEM# SML431101

Specifications

Category: Wall Light

Fixture Dimension: L11.4" x D6.1" x H16.5"

Wire Length: 1ft. (30cm)

Fixture Weight: 6.6Lbs. (3.0Kg)

Fixture Finish: Silver Leaf

Bulb: 2x40W E12 Base - NOT INCLUDED

Maximum Wattage: 40W

Voltage: 120V

Approved Location: Dry Location

Safety Certification: CETL

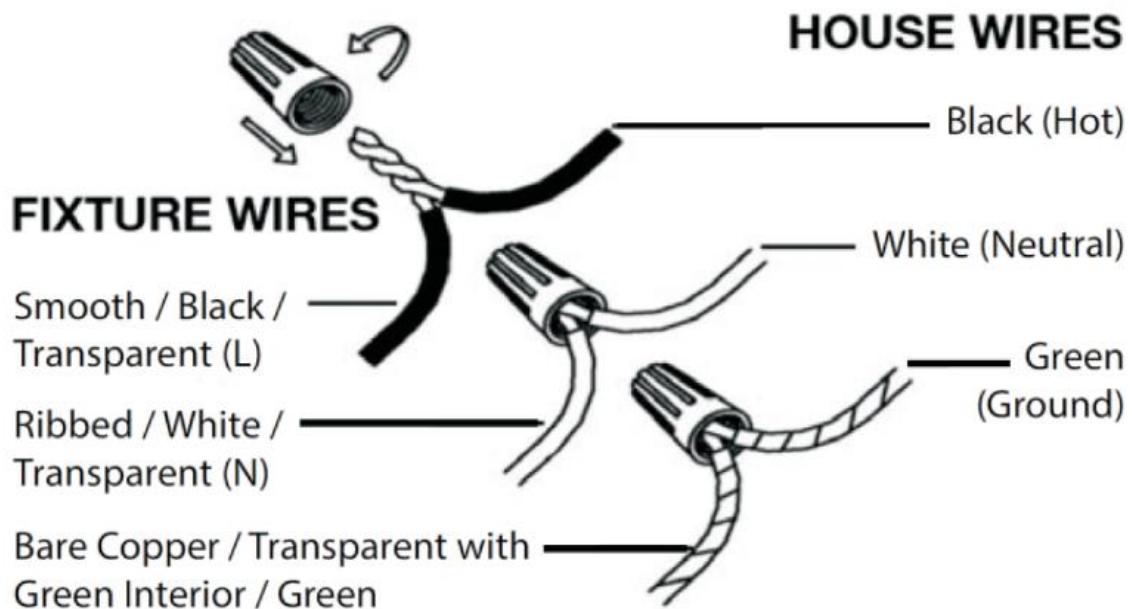
Wire Connections

ATTENTION

FIXTURE INSTALLATION MUST BE DONE BY A LICENSED ELECTRICIAN

SHUT OFF POWER SUPPLY AT FUSE OR CIRCUIT BREAKER

USE ONLY THE SPECIFIED BULBS & DON'T EXCEED THE MAXIMUM WATTAGE



Use standard wire connectors to make all wire connections.

Twist connectors until wires are tightly joined together.

Wrap each connection with approved electrical tape and carefully stuff all the connected wires into outlet box.

Assembly Instructions

ITEM# SML431101

PART LIST

PART	DESCRIPTION	Quantity
A	Mounting Plate	1
B	Canopy	1
C	Tube	2
D	Diffuses	2
E	Nut	2
F	BULB	2

SUPPLIED HARDWARE LIST

AA

2X

BB

2X

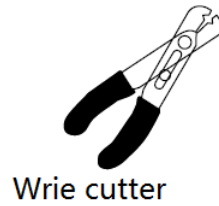
CC

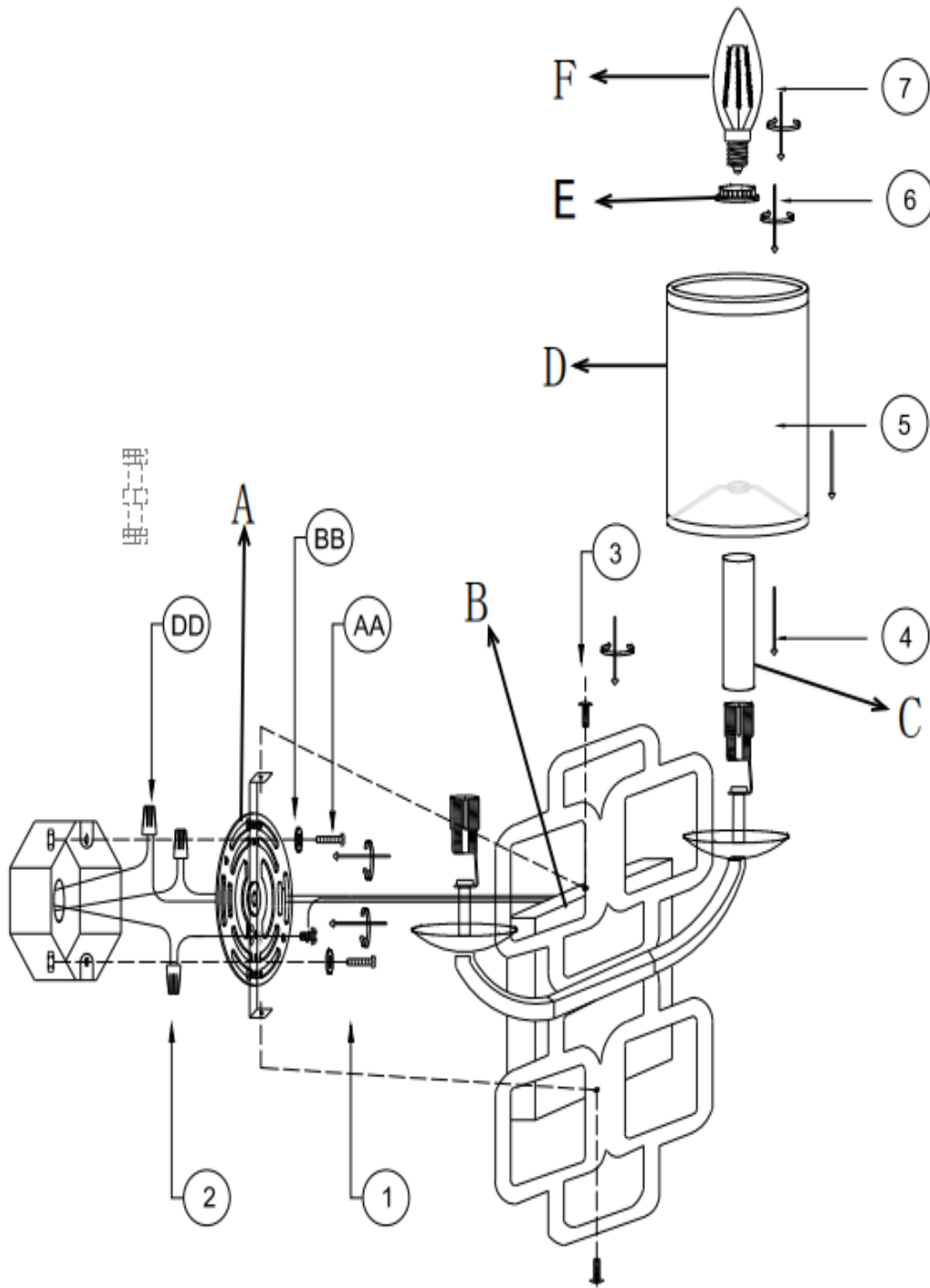
1X

DD

3X

TOOLS REQUIRED (not supplied)







INSTALLATION

1. Install mounting plate (A) to the outlet box with washer (BB) and screw (AA).
2. Pass electrical wires of the lamp through mounting plate(A). Connect ground wire (Bare copper) to grounding screw in electrical box. Use wire nuts provided to connect the Neutral (N) to white wire in electrical box. Connect the Load wire (L) to black wire in electrical box. Ensure all connections are secure and tuck wires into electrical box.
3. Install the back plate (B) onto mounting plate (A) with provided nuts.
4. Install the bulb holder tubes (C).
5. Install shade (D).
6. Fix shade (D) with tube (C). strongly tighten with nut (E).
7. Install bulb (F) onto the lamp. Bulb is not included. **CAUTION!** Risk of **FIRE!**
DO NOT EXCEED THE **MAXIMUM** WATTAGE on bulb label.