



## **ITEM# SML331102**

### **Specifications**

---

Category: Flush Mounted

---

Fixture Dimension: L14.9" x D14.9" x H7.9"

---

Wire Length: 1ft. (30cm)

---

Fixture Weight: 17.6Lbs. (8.0Kg)

---

Fixture Finish: Silver Leaf

---

Bulb: 3x60W E26 Base - NOT INCLUDED

---

Maximum Wattage: 60W

---

Voltage: 120V

---

Approved Location: Dry Location

---

Safety Certification: CETL

---

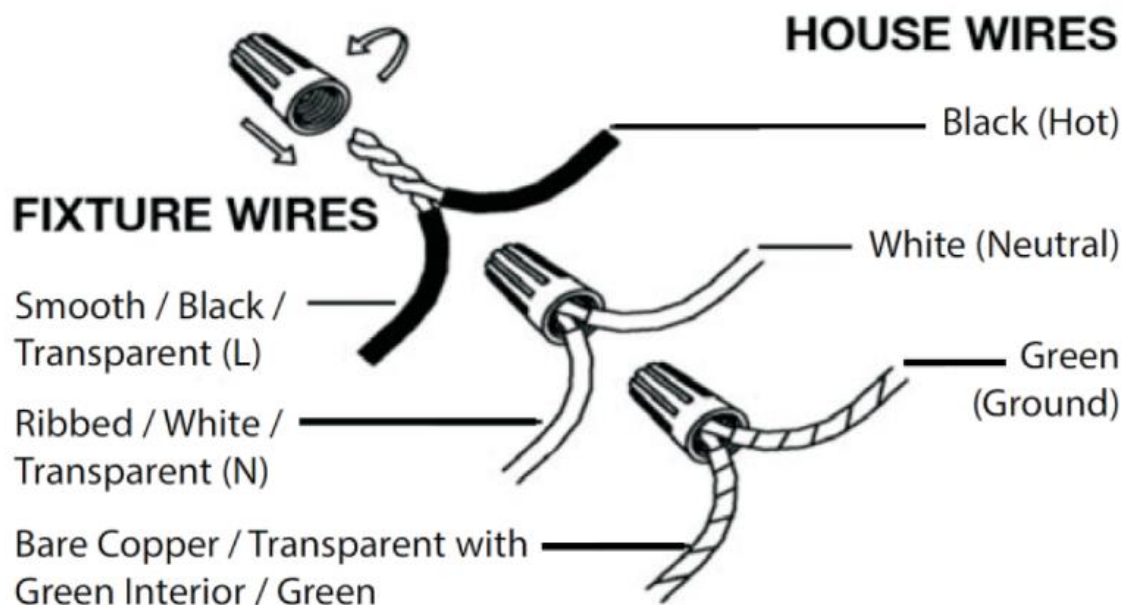
## Wire Connections

### ATTENTION

FIXTURE INSTALLATION MUST BE DONE BY A LICENSED ELECTRICIAN

SHUT OFF POWER SUPPLY AT FUSE OR CIRCUIT BREAKER

USE ONLY THE SPECIFIED BULBS & DON'T EXCEED THE MAXIMUM WATTAGE



Use standard wire connectors to make all wire connections.

Twist connectors until wires are tightly joined together.

Wrap each connection with approved electrical tape and carefully stuff all the connected wires into outlet box.

# Assembly Instructions

## ITEM# SML331102

### PART LIST

PART	DESCRIPTION	Quantity
A	Back Plate	1
B	Canopy	1
C	Bulb	3
D	Bolt	1
E	Opal Glass	1
F	Diffusers nuts	2

### SUPPLIED HARDWARE LIST

AA  
  
 2X

BB  
  
 2X

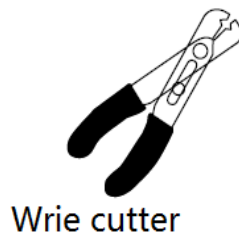
CC  
  
 2X

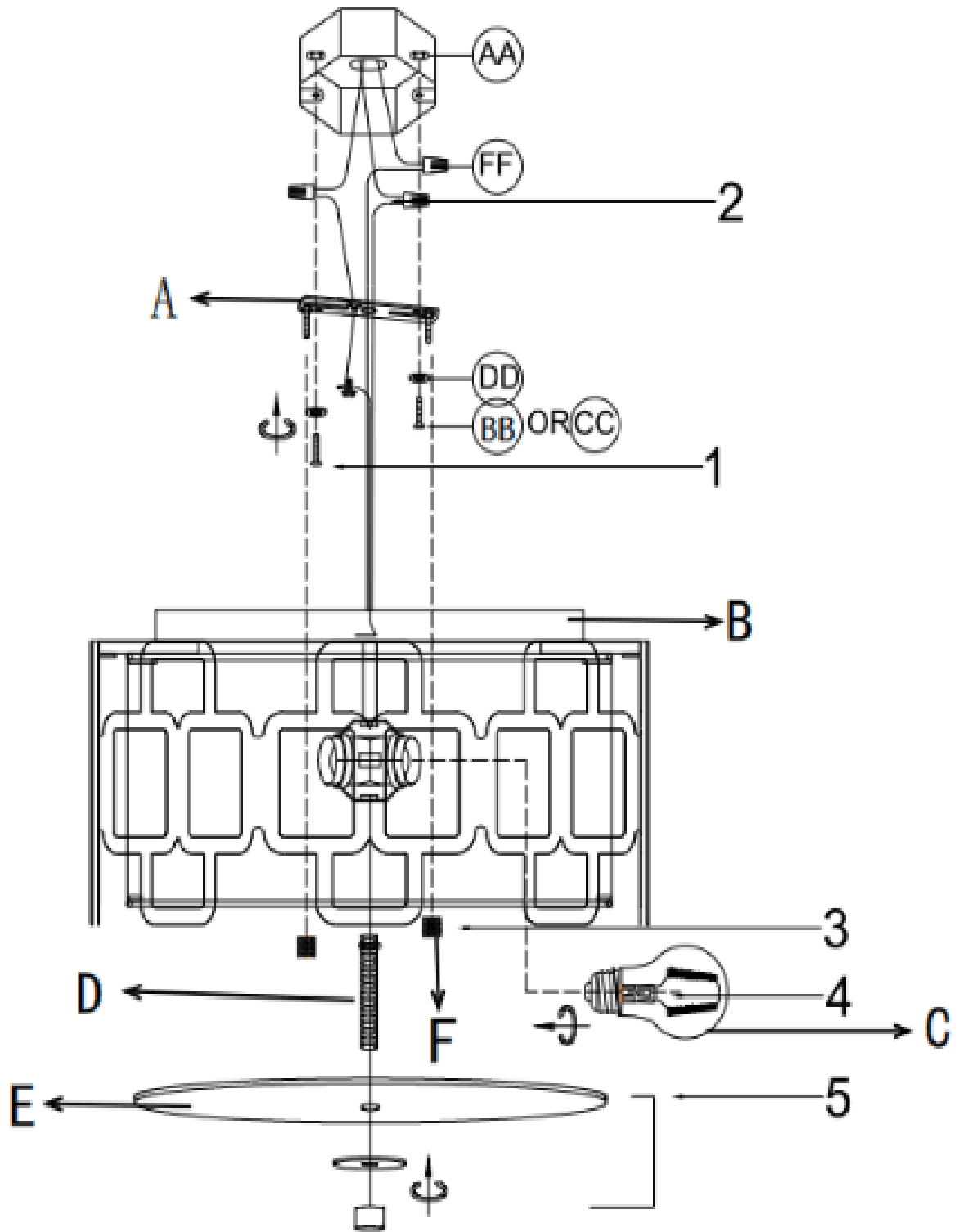
DD  
  
 2X

EE  
  
 1X

FF  
  
 3X

### TOOLS REQUIRED (not supplied)







---

## INSTALLATION

1. Install the mounting plate (A) to the outlet box with washer (DD), screws (CC / BB)
2. Connect ground wire (Bare copper) to grounding screw in electrical box. Use wire nuts provided to connect the Neutral (N) to white wire in electrical box. Connect the Load wire (L) to black wire in electrical box. Ensure all connections are secure and tuck wires into electrical box.
3. Install the canopy (B) onto the mounting plate (A) with provided nuts(F). Strongly tighten the nuts.
4. Install the bulbs (C). Bulbs are not included. **CAUTION!** Risk of **FIRE!** DO NOT EXCEED THE **MAXIMUM** WATTAGE on bulb label.
5. Install the opal glass (E) onto the bolt (D) with the provided washer and nut.