



Item# SML2706-4-CH

Fixture Dimension: D:19" (490mm), H:19" (470mm)
Fixture Weight:17Lbs. (7.8Kg)
Material: Metal + K9 Crystal+Fabric
Finish: Chrome Metal + Clear Crystal+Champagne Gold Shade
Fixture Color:Chrome + Clear+Champagne Gold
Chain/Rod Length:5ft. (2M)
Wire Length: 7.5ft. (3M)
Bulbs:4x 40W E12 Base (Candelabra) - NOT INCLUDED
Maximum Wattage: 160W (4x40W)
Voltage: 120V
Approved Location: Dry Location
Safety Rating: CETL

Assembly Instructions for
Item# SML2706-4

IMPORTANT:

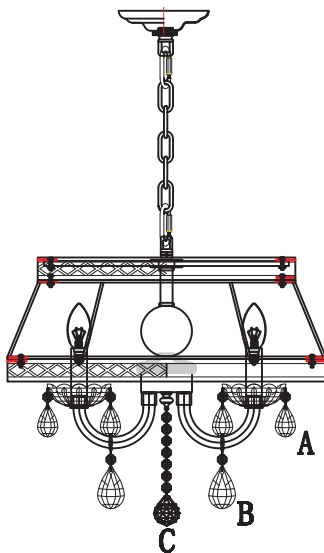
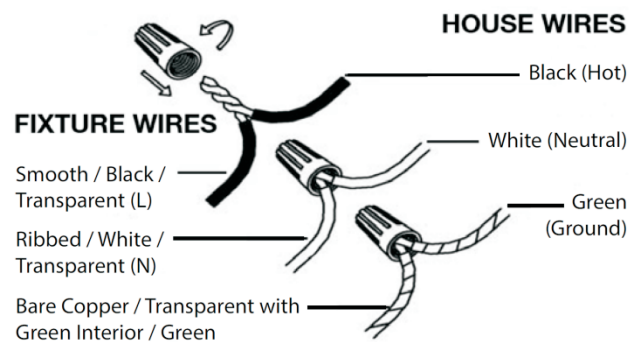
- ALL INSTALLATION WORK SHOULD BE DONE BY ACCREDITED PROFESSIONAL.
- SHUT OFF POWER SUPPLY AT FUSE OR CIRCUIT BREAKER.
- USE ONLY THE SPECIFIED BULBS. DO NOT EXCEED THE MAXIMUM WATTAGE.

BEFORE YOU INSTALL:

1. Check the frame for any physical damage
2. Check all parts and crystals to ensure they are not damaged or missing
3. Test all sockets with a bulb for conductivity before “dressing” the fixture
4. If there is any problem, please do not install the fixture. Please contact the vendor and solve the problem first.

WIRE CONNECTION:

Use standard wire connectors (not include) to make all wire connections. Twist connectors until wires are tightly joined together. Wrap each connection with approved electrical tape and carefully stuff all the connected wires into outlet box.

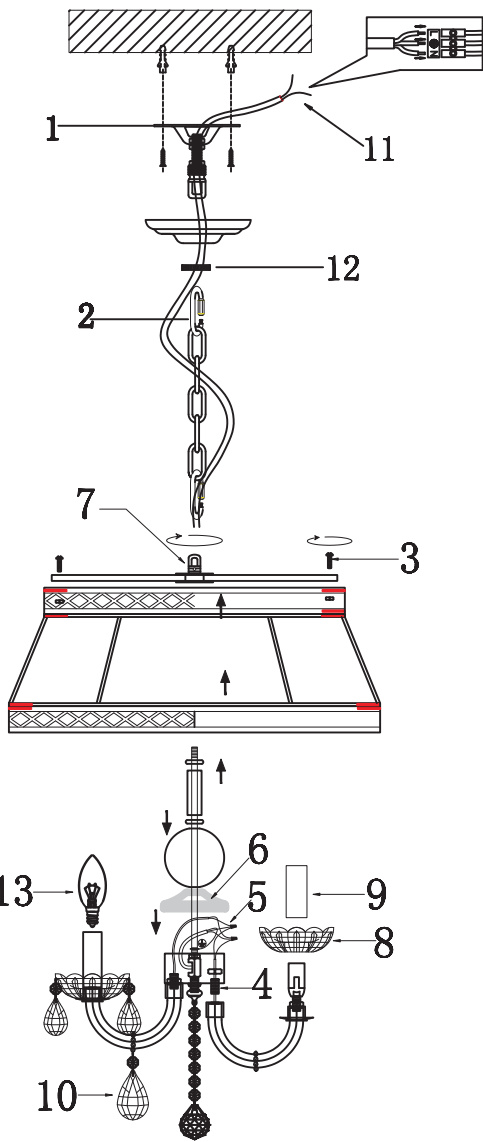


CRYSTALS:

A: 16 Pcs.

B: 4 Pcs.

C: 1Pcs.



ASSEMBLY STEPS:

1. Assemble the hanging panel
2. Lock the chain
3. Twist the screws of the shade
4. Twist the screws of the glass arms
5. Connect the wires of the lamp body
6. Add the metal part
7. Lock the screws of the lamp
8. Add the glass plates
9. Add the metal covers for the lamp holders
10. Hang the crystals
11. Connect the main wire
12. Lock the loop
13. Twist the bulbs