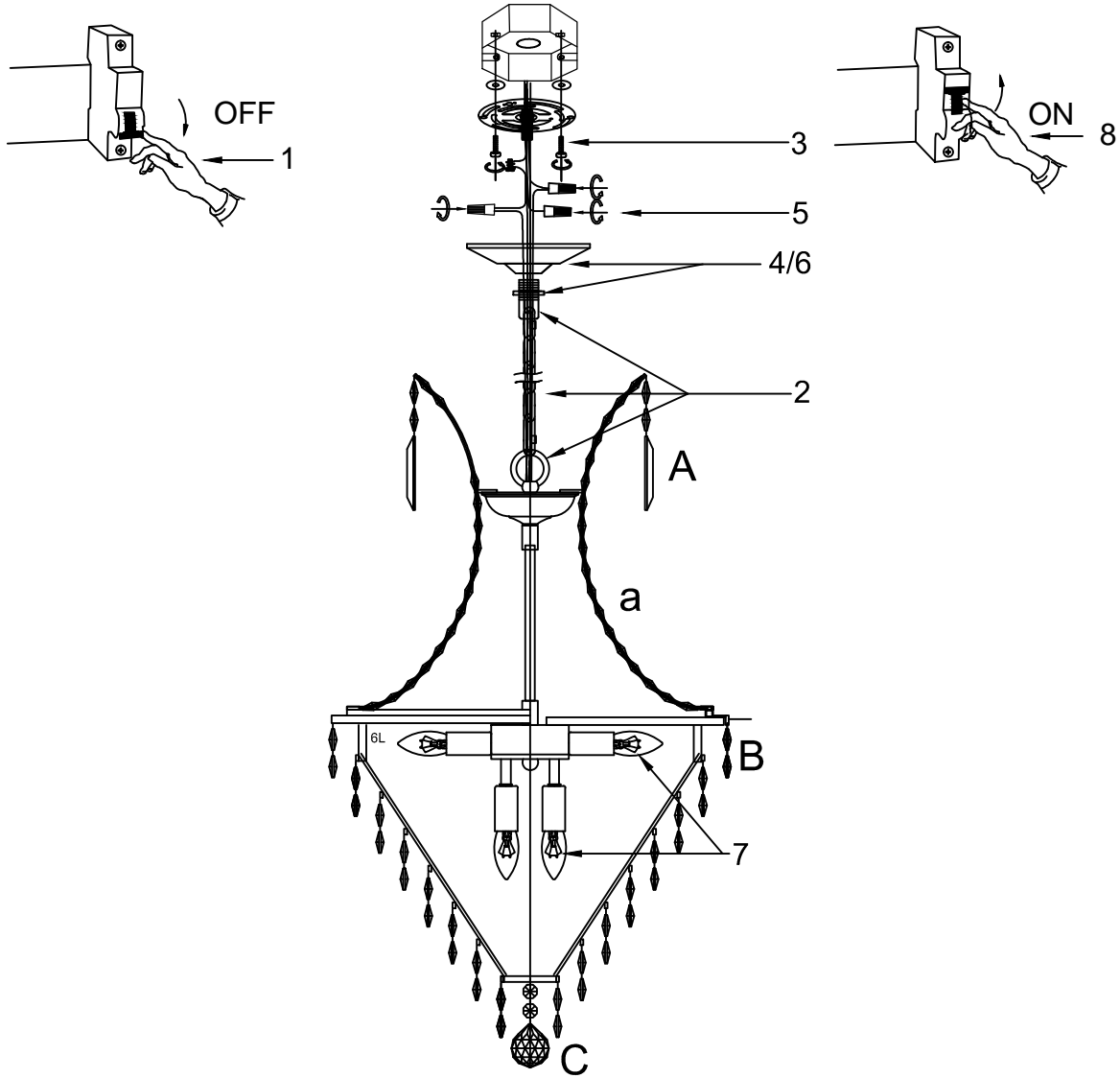










Assembly Instructions

Item# SML233107



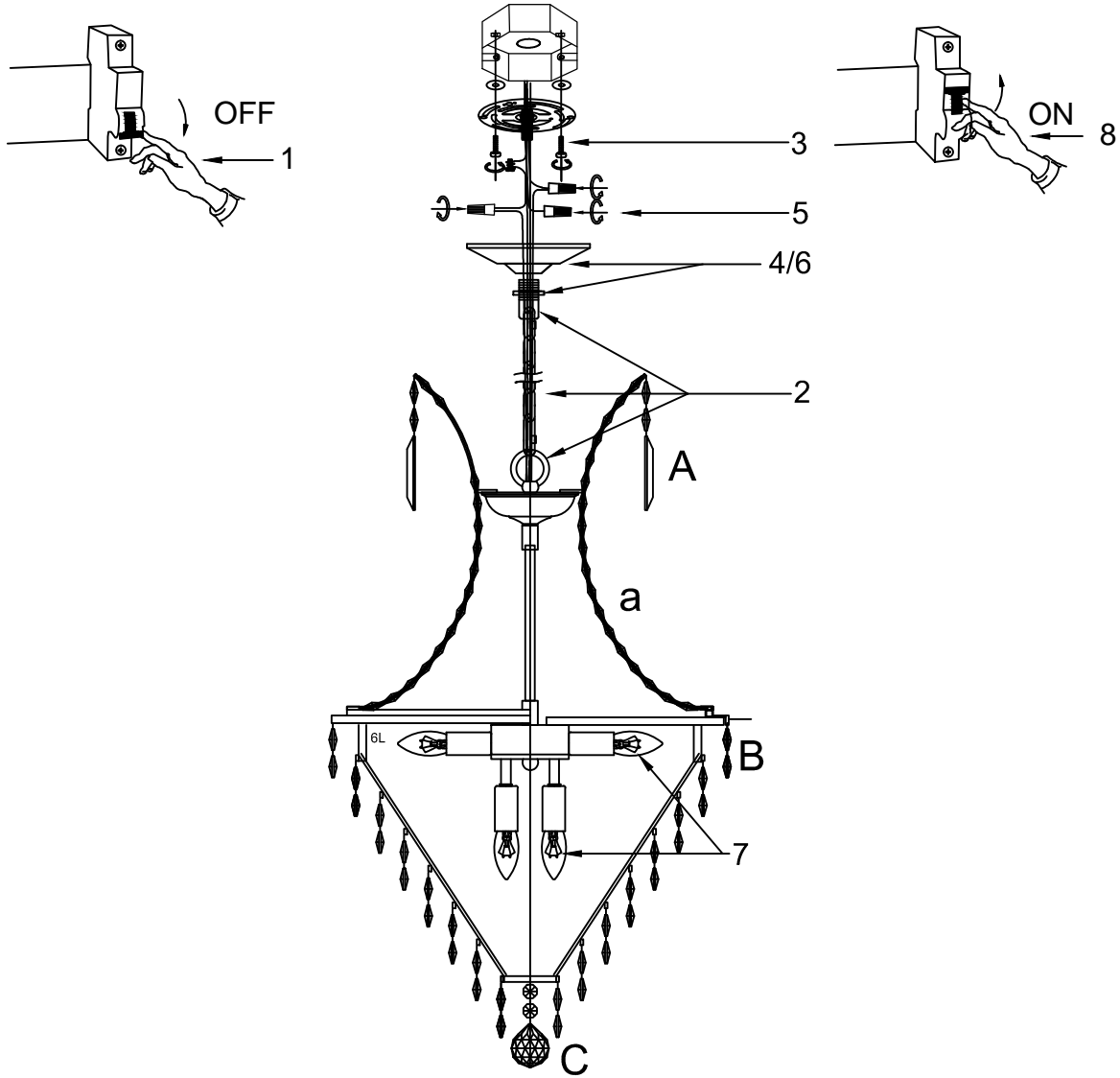
Crystal Equipped

- | | | | |
|---|--|--|--|
| a | A | B | C |
|  22mmX18
(Bind) |  22mmX2 |  22mmX2 |  14mmX2 |
| 8PCS |  76mm | 238strings |  40mm |
| | 8strings | | 1string |

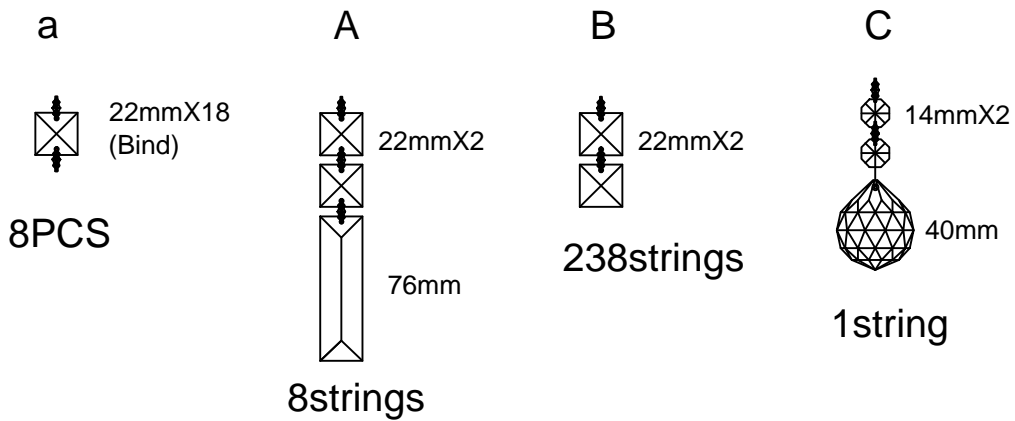


Assembly Instructions

Item# SML233107



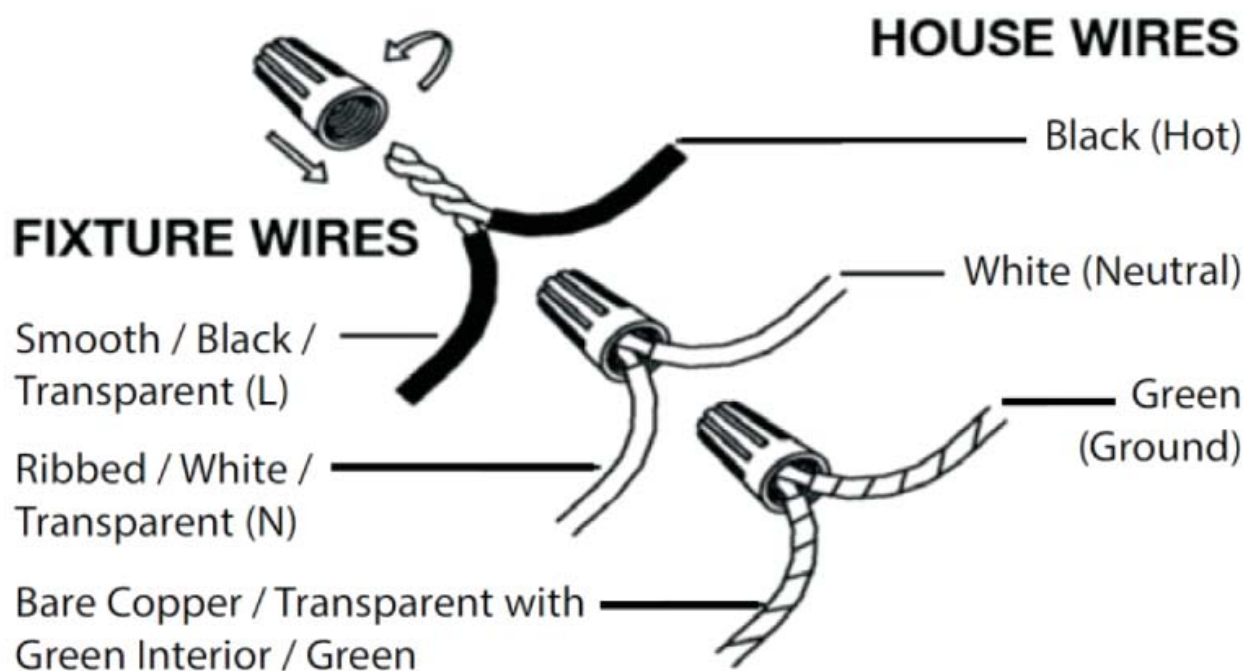
Crystal Equipped



Wire Connections

ATTENTION:

FIXTURE INSTALLATION MUST BE DONE BY A LICENSED ELECTRICIAN
SHUT OFF POWER SUPPLY AT FUSE OR CIRCUIT BREAKER
USE ONLY THE SPECIFIED BULBS & DO NOT EXCEED THE MAXIMUM WATTAGE



Use standard wire connectors to make all wire connections.

Twist connectors until wires are tightly joined together.
Wrap each connection with approved electrical tape and
carefully stuff all the connected wires into outlet box. □