



HOUSING
IMPELLER
BEARING
INSULATION
OPERATING TEMPERATURE
OPERATING VOLTAGE RANGE

Metal/Aluminum
Aluminum, Ø60mm
Ball
Class A
0°C to + 45°C
85 VAC to 125 VAC for 115V Type
185 VAC to 245 VAC for 230V Type
1,500 VAC for 1 second
10M Ω min. @500 VDC
Impedance Protected
Shaded Pole Motor
Yes
IP21 (Special IP Rating On Request)

DIELECTRIC STRENGTH
INSULATION RESISTANCE
SAFETY
MOTOR TYPE
ROHS COMPLIANCE
IP LEVEL

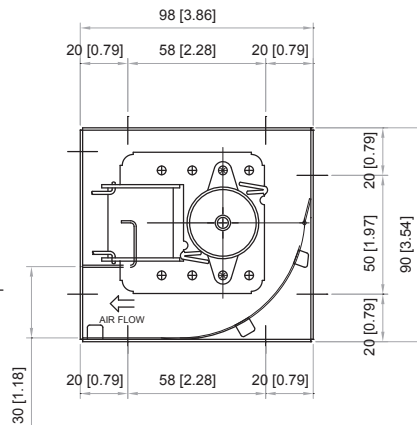
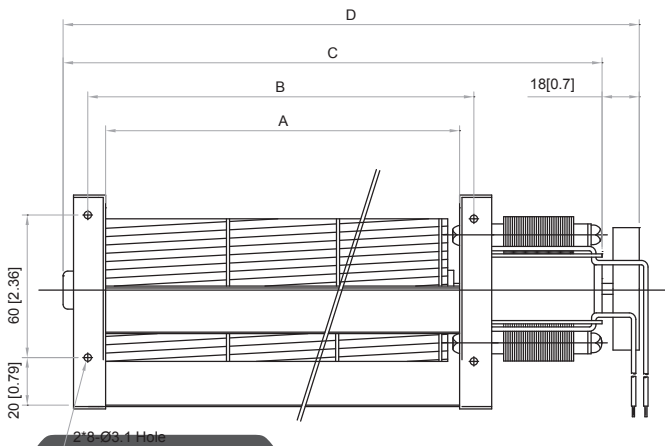
* FAN IS FOR HORIZONTAL USE ONLY *

60

 mm

60 mm

DIMENSION



MODEL NO.	DIMENSION(mm)				WEIGHT (g)
	A	B	C	D	
sAFS60184H	184	199	262	280	1350
sAFS60184L	184	199	257		1200
sAFS60245H	245	260	323	341	1500
sAFS60245L	245	260	323		1400
AFS60306	306	321	384	402	1500
sAFS60368	368	383	446	464	1600
sAFS60429	429	444	507	525	1650

SPECIFICATION

UNIT:mm[inch]

MODEL NO.	RATED VOLTAGE(V)	FREQUENCY (Hz)	RATED CURRENT(A)	INPUT POWER (W)	SPEED (RPM)	MAX. AIR PRESSURE		MAX. AIR FLOW		NOISE dB(A)@ 1M
						inchH ₂ O	mmH ₂ O	CFM	m ³ /min	
sAFS60184V1H	120	60	0.55	37	2500	0.29	7.3	106	3.0	47
sAFS60184V1L	120	60	0.33	23	1700	0.15	3.8	63	1.8	35
sAFS60184V2H	230	50	0.27	34	2500	0.21	5.4	106	3.0	47
sAFS60184V2L	230	50	0.17	23	2000	0.15	3.7	88	2.5	39
sAFS60245V1H	120	60	0.60	42	2000	0.20	5.1	106	3.0	42
sAFS60245V1L	120	60	0.42	31	1900	0.19	4.9	102	2.9	41
sAFS60245V2H	230	50	0.27	35	2200	0.18	4.6	133	3.8	44
sAFS60245V2L	230	50	0.23	31	2000	0.15	3.9	118	3.3	42
sAFS60306V1H	120	60	0.63	42	1900	0.19	4.7	114	3.2	42
sAFS60306V2H	230	50	0.28	36	2200	0.18	4.6	154	4.4	44
sAFS60368V1H	120	60	0.64	43	1700	0.12	3.0	133	3.8	41
sAFS60368V2H	230	50	0.30	38	1900	0.17	4.2	167	4.7	43
sAFS60429V1H	120	60	0.64	44	1400	0.09	2.2	139	3.9	41
sAFS60429V2H	230	50	0.31	40	1800	0.13	3.3	180	5.1	43

AIR PERFORMANCE

