

sAFS 50

Ø50mm(Ø1.97")



HOUSING
IMPELLER
BEARING
INSULATION
OPERATING TEMPERATURE
OPERATING VOLTAGE RANGE

Metal/Aluminum
Aluminum, Ø50mm
Ball or Sleeve
Class A
0°C to + 45°C
85 VAC to 125 VAC for 115V Type
185 VAC to 245 VAC for 230V Type
1,500 VAC for 1 second
10M Ω min. @500 VDC
Impedance Protected
Shaded Pole Motor
Yes
IP21 (Special IP Rating On Request)

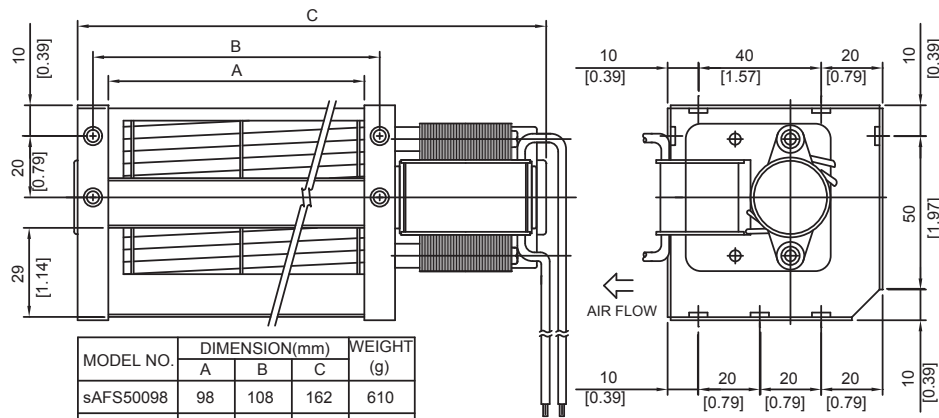
DIELECTRIC STRENGTH
INSULATION RESISTANCE
SAFETY
MOTOR TYPE
ROHS COMPLIANCE
IP LEVEL

* FAN IS FOR HORIZONTAL USE ONLY *

50mm

50 mm

DIMENSION



MODEL NO.	DIMENSION(mm)			WEIGHT (g)
	A	B	C	
sAFS50098	98	108	162	610
sAFS50198	198	208	267	770
sAFS50298	298	308	377	1100
sAFS50358	358	368	437	1200

UNIT:mm[inch]

SPECIFICATION

MODEL NO.	RATED VOLTAGE (V)	FREQUENCY (Hz)	RATED CURRENT (A)	INPUT POWER (W)	SPEED (RPM)	MAX. AIR PRESSURE		MAX. AIR FLOW		NOISE dB(A) @1M
						inchH ₂ O	mmH ₂ O	CFM	m ³ /min	
sAFS50098V1H	120	50/60	0.15/0.13	11/10	2500/2600	0.11/0.14	2.7/3.6	24/28	0.7/0.8	36/37
sAFS50098V2H	230	50/60	0.09/0.07	11/10	2500/2600	0.11/0.14	2.7/3.6	24/28	0.7/0.8	36/37
sAFS50198V1H	120	50/60	0.23/0.21	18/16	2000/1600	0.12/0.15	3.1/3.7	67/60	1.9/1.7	36/33
sAFS50198V2H	230	50/60	0.10/0.09	14/13	2100/1700	0.12/0.14	3.1/3.6	63/65	1.8/1.6	35/32
sAFS50298V1H	120	50/60	0.35/0.33	24/24	2000/1800	0.15/0.17	3.7/4.3	116/88	3.3/2.5	41/37
sAFS50298V2H	230	50/60	0.15/0.14	21/20	2100/1500	0.15/0.16	3.7/4.1	116/81	3.3/2.3	41/35
sAFS50358V1H	120	50/60	0.35/0.33	23/23	2300/2000	0.12/0.17	3.7/4.3	110/103	3.1/2.9	41/36
sAFS50358V2H	230	50/60	0.15/0.14	20/19	2000/1400	0.14/0.16	3.5/4.0	110/92	3.0/2.6	40/34

AIR PERFORMANCE

