



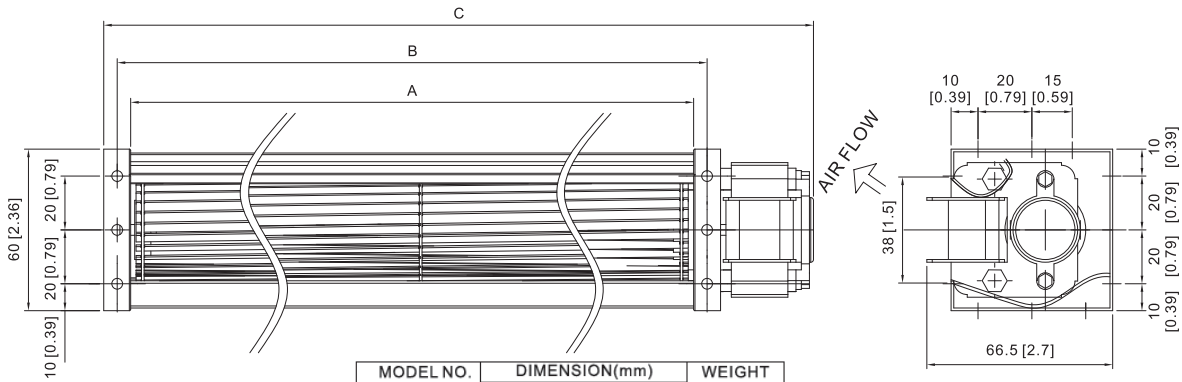
**HOUSING** Metal/Aluminum  
**IMPELLER** Aluminum, Ø43mm  
**BEARING** Ball or Sleeve  
**INSULATION** Class A  
**OPERATING TEMPERATURE** 0°C to + 45°C  
**OPERATING VOLTAGE RANGE** 85 VAC to 125 VAC for 115V Type  
 185 VAC to 245 VAC for 230V Type  
**DIELECTRIC STRENGTH** 1,500 VAC for 1 second  
**INSULATION RESISTANCE** 10M Ω min. @500 VDC  
**SAFETY** Impedance Protected  
**MOTOR TYPE** Shaded Pole Motor  
**ROHS COMPLIANCE** Yes  
**IP LEVEL** IP21 (Special IP Rating On Request)

\* FAN IS FOR HORIZONTAL USE ONLY \*

# 43mm

43mm

## DIMENSION



MODEL NO.	DIMENSION(mm)			WEIGHT (g)
	A	B	C	
sAFS43098	98	108	160	520
sAFS43160	160	170	222	550
sAFS43198	198	208	264	650
sAFS43250	250	260	315	680
sAFS43300	300	310	375	890
sAFS43360	360	370	435	920

UNIT:mm[inch]

## SPECIFICATION

MODEL NO.	RATED VOLTAGE (V)	FREQUENCY (Hz)	RATED CURRENT (A)	INPUT POWER (W)	SPEED (RPM)	MAX. AIR PRESSURE		MAX. AIR FLOW		NOISE dB(A) @1M
						inchH <sub>2</sub> O	mmH <sub>2</sub> O	CFM	m <sup>3</sup> /min	
sAFS43098V1H	120	50/60	0.14/0.12	10/9	2600/3000	0.04/0.06	1.1/1.6	25/28	0.7/0.8	33/35
sAFS43098V2H	230	50/60	0.08/0.07	10/9	2600/3000	0.04/0.06	1.1/1.6	25/28	0.7/0.8	33/35
sAFS43160V1H	120	50/60	0.15/0.13	11/10	2500/2500	0.04/0.05	0.9/1.2	42/42	1.2/1.2	35/35
sAFS43160V2H	230	50/60	0.08/0.07	11/10	2500/2500	0.04/0.05	0.9/1.2	42/42	1.2/1.2	35/35
sAFS43198V1H	120	50/60	0.22/0.19	15/14	2400/2500	0.04/0.05	0.9/1.2	53/56	1.5/1.6	32/35
sAFS43198V2H	230	50/60	0.09/0.08	13/12	2400/2500	0.04/0.05	0.9/1.2	53/56	1.5/1.6	32/35
sAFS43250V1H	120	50/60	0.22/0.20	16/15	2400/2300	0.04/0.04	0.9/1.0	67/70	1.9/1.8	34/33
sAFS43250V2H	230	50/60	0.09/0.08	13/12	2300/2000	0.04/0.04	0.9/1.0	63/56	1.8/1.6	33/30
sAFS43300V1H	120	50/60	0.32/0.29	22/21	2600/2900	0.05/0.06	1.2/1.4	88/95	2.5/2.7	38/40
sAFS43300V2H	230	50/60	0.14/0.13	19/18	2500/2500	0.05/0.06	1.2/1.4	88/88	2.5/2.5	37/37
sAFS43360V1H	120	50/60	0.34/0.32	23/23	2500/2500	0.05/0.05	1.2/1.3	117/117	3.3/3.3	38/38
sAFS43360V2H	230	50/60	0.15/0.14	20/19	2400/2100	0.05/0.05	1.2/1.3	113/88	3.2/2.5	36/33

## AIR PERFORMANCE

