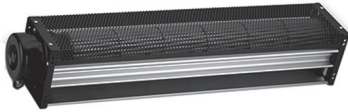


# sAFC 90

Ø90mm(Ø3.55")



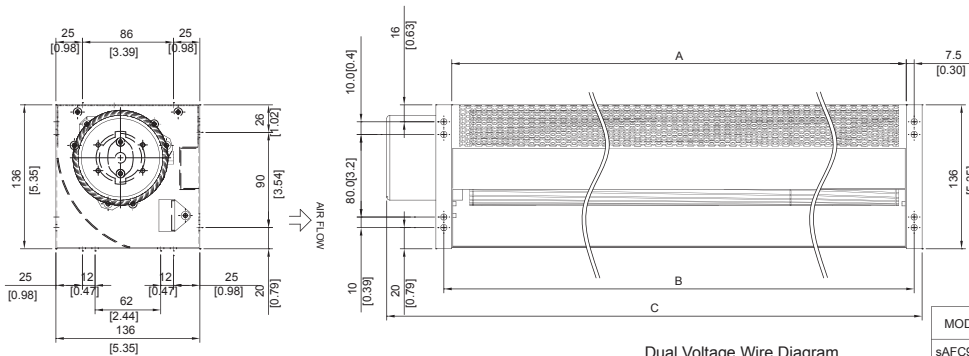
**HOUSING** Metal/Aluminum  
**IMPELLER** Aluminum, Ø90mm  
**BEARING** Ball  
**INSULATION** Class A  
**OPERATING TEMPERATURE** 0°C to + 45°C  
**OPERATING VOLTAGE RANGE** 85 VAC to 125 VAC for 115V Type  
 185 VAC to 245 VAC for 230V Type  
**DIELECTRIC STRENGTH** 1,500 VAC for 1 second  
**INSULATION RESISTANCE** 10M Ω min. @500 VDC  
**SAFETY** Thermally Protected  
**MOTOR TYPE** Capacitor Motor  
**ROHS COMPLIANCE** Yes  
**IP LEVEL** IP21 (Special IP Rating On Request)

\* FAN IS FOR HORIZONTAL USE ONLY \*

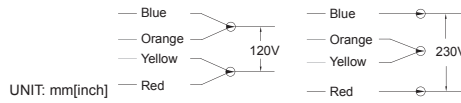
# 90mm

90 mm

## DIMENSION



Dual Voltage Wire Diagram



UNIT: mm[inch]

MODEL NO.	DIMENSION(mm)			WEIGHT (g)
	A	B	C	
sAFC90310V2M	360	375	415	2510
sAFC90310V2L	360	375	415	2230
sAFC90470V2M	525	540	580	2920
sAFC90630V2M	680	695	735	3580
sAFC90630DVM	680	695	756	4390
sAFC90880DVM	930	945	1005	4650

## SPECIFICATION

MODEL NO.	RATED VOLTAGE (V)	FREQUENCY (Hz)	RATED CURRENT (A)	INPUT POWER (W)	SPEED (RPM)	MAX. AIR PRESSURE		MAX. AIR FLOW		NOISE dB(A) @1M
						inchH <sub>2</sub> O	mmH <sub>2</sub> O	CFM	m <sup>3</sup> /min	
sAFC90310V2M	230	50	0.12	26	1400	0.10	2.5	241	6.8	44
sAFC90310V2L	230	50	0.13	26	1200	0.10	2.5	191	5.4	41
sAFC90470V2M	230	50	0.14	32	1300	0.12	3.0	354	10.0	46
sAFC90630V2M	230	50	0.26	58	1400	0.14	3.5	601	17.0	49
sAFC90630DVM	120/230	60/50	0.70/0.40	78/64	1700/1500	0.20/0.14	5.0/3.5	719/626	20.3/17.7	54/50
sAFC90880DVM	120/230	60/50	0.82/0.43	93/73	1600/1500	0.18/0.14	4.5/3.5	729/708	20.6/20.0	56/54

## AIR PERFORMANCE

