



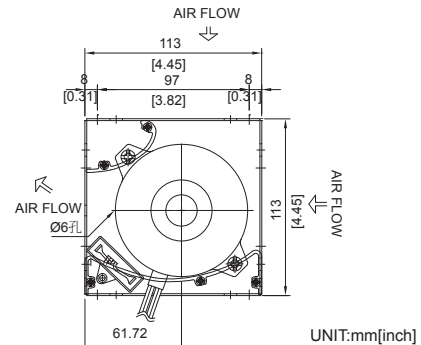
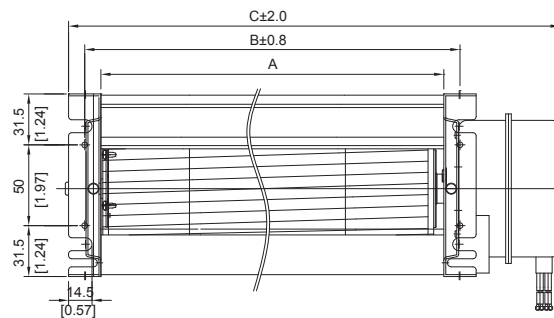
HOUSING Metal/Aluminum
IMPELLER Aluminum, Ø81mm
BEARING Ball
INSULATION Class A
OPERATING TEMPERATURE 0°C to + 45°C
OPERATING VOLTAGE RANGE 85 VAC to 125 VAC for 115V Type
 185 VAC to 245 VAC for 230V Type
DUAL VOLTAGE 115/230VAC
DIELECTRIC STRENGTH 1,500 VAC for 1 second
INSULATION RESISTANCE 10M Ω min. @500 VDC
SAFETY Thermally Protected
MOTOR TYPE Capacitor Motor
ROHS COMPLIANCE Yes
IP LEVEL IP21 (Special IP Rating On Request)

81mm

* FAN IS FOR HORIZONTAL USE ONLY *

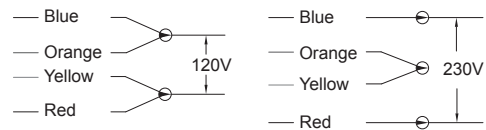
81 mm

DIMENSION



MODEL NO.	DIMENSION(mm)			WEIGHT (Kg)
	A	B	C	
sAFC81420	420	440	512	2.3
sAFC81500	500	520	612	2.4
sAFC81600	600	620	710	3.0
sAFC81700	700	720	810	3.2

Dual Voltage Wire Diagram



SPECIFICATION

MODEL NO.	RATED VOLTAGE (V)	FREQUENCY (Hz)	RATED CURRENT (A)	INPUT POWER (W)	SPEED (RPM)	MAX. AIR PRESSURE		MAX. AIR FLOW		NOISE dB(A) @1M
						inchH ₂ O	mmH ₂ O	CFM	m ³ /min	
sAFC81420DVHB	120	50/60	0.21/0.25	24/29	1300/1400	0.06/0.07	1.5/1.8	205/216	5.8/6.1	43/44
sAFC81420DVHB	230	50/60	0.11/0.13	24/28	1300/1400	0.06/0.07	1.5/1.8	205/216	5.8/6.1	43/44
sAFC81500DVHB	120	50/60	0.21/0.25	24/23	1250/1300	0.06/0.07	1.5/1.8	223/240	6.3/6.8	42/43
sAFC81500DVHB	230	50/60	0.11/0.13	24/29	1250/1300	0.06/0.07	1.5/1.8	223/240	6.3/6.8	42/43
sAFC81600DVHB	120	50/60	0.21/0.27	27/32	1300/1400	0.05/0.07	1.3/1.8	286/293	8.1/8.3	43/44
sAFC81600DVHB	230	50/60	0.11/0.13	24/30	1250/1300	0.05/0.07	1.3/1.8	279/286	7.9/8.1	42/43
sAFC81700DVHB	120	50/60	0.20/0.27	26/33	1250/1300	0.06/0.07	1.6/1.8	329/332	9.3/9.4	42/43
sAFC81700DVHB	230	50/60	0.10/0.12	25/30	1200/1200	0.06/0.07	1.5/1.8	304/304	8.6/8.6	41/41

AIR PERFORMANCE

