

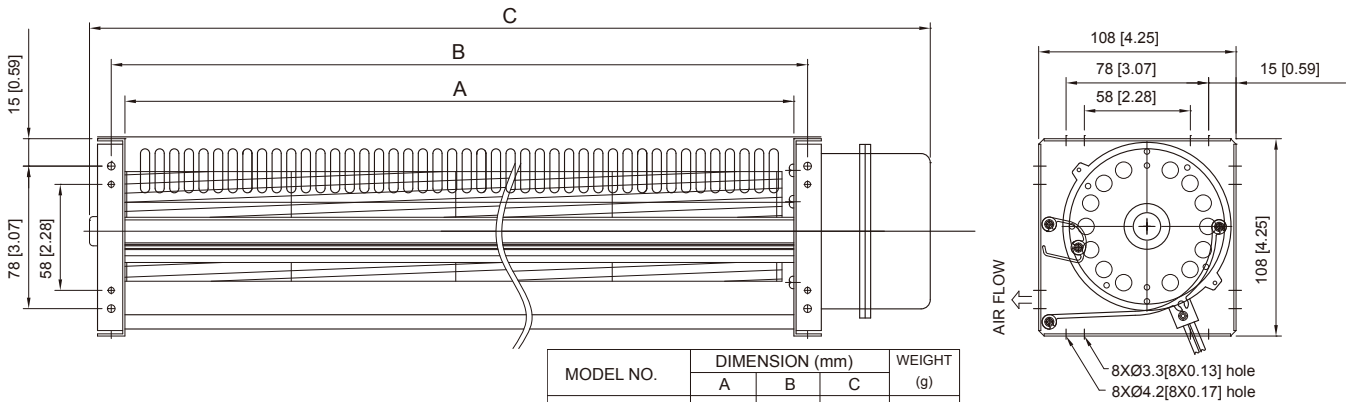


HOUSING Metal/Aluminum
IMPELLER Aluminum, Ø60mm
BEARING Ball
INSULATION Class A
OPERATING TEMPERATURE 0°C to + 45°C
OPERATING VOLTAGE RANGE 85 VAC to 125 VAC for 115V Type
 185 VAC to 245 VAC for 230V Type
DIELECTRIC STRENGTH 1,500 VAC for 1 second
INSULATION RESISTANCE 10M Ω min. @500 VDC
SAFETY Thermally Protected
MOTOR TYPE Capacitor Motor
ROHS COMPLIANCE Yes
IP LEVEL IP21 (Special IP Rating On Request)

* FAN IS FOR HORIZONTAL USE ONLY *

60

60



MODEL NO.	DIMENSION (mm)			WEIGHT (g)
	A	B	C	
sAFC60426DVHG	426	441	555	2850
sAFC60426V2LG	426	441	520	2800
sAFC60606DVHG	606	621	735	3300
sAFC60606V2LG	606	621	700	3200

UNIT:mm[inch]

SPECIFICATION

MODEL NO.	RATED VOLTAGE (V)	FREQUENCY (Hz)	RATED CURRENT (A)	INPUT POWER (W)	SPEED (RPM)	MAX. AIR PRESSURE		MAX. AIR FLOW		NOISE dB(A) @1M
						inchH ₂ O	mmH ₂ O	CFM	m ³ /min	
sAFC60426DVHG	110	50/60	0.42/0.56	45/62	2600/2800	0.24/0.28	6.0/7.2	300/354	8.5/10.0	55/57
	220	50/60	0.22/0.29	47/64	2600/2800	0.24/0.28	6.0/7.2	300/354	8.5/10.0	55/57
	230	50	0.22	49	2700	0.26	6.5	318	9.0	56
sAFC60426V2LG	230	50	0.11	26	1700	0.06	1.5	177	5.0	34
sAFC60606DVHG	110	60	0.67	73	2000	0.24	6.0	354	10.0	51
	230	50	0.28	64	2300	0.20	5.0	424	12.0	54
sAFC60606V2LG	230	50	0.11	26	1400	0.06	1.5	283	8.0	37

AIR PERFORMANCE

