

HOUSING Metal/Aluminum
IMPELLER Aluminum, Ø110mm
BEARING Ball
INSULATION Class A
OPERATING TEMPERATURE 0°C to + 45°C
OPERATING VOLTAGE RANGE 85 VAC to 125 VAC for 115V Type
 185 VAS to 245 VAC for 230V Type
DIELECTRIC STRENGTH 1,500 VAC for 1 second
INSULATION RESISTANCE 10M Ω min. @500 VDC
SAFETY Thermally Protected
MOTOR TYPE Capacitor Motor
ROHS COMPLIANCE Yes
IP LEVEL IP21 (Special IP Rating On Request)

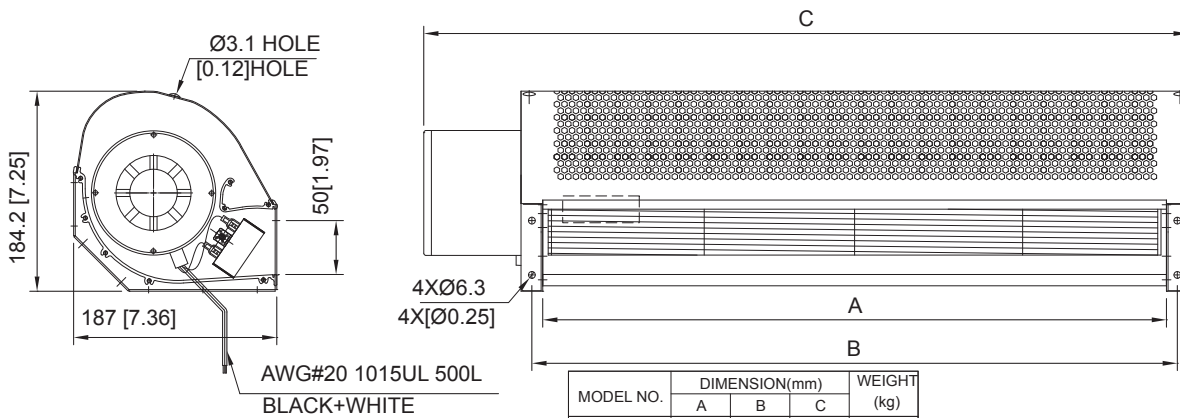
* FAN IS FOR HORIZONTAL USE ONLY *

IIO

 mm

110mm

DIMENSION



MODEL NO.	DIMENSION(mm)			WEIGHT (kg)
	A	B	C	
sAFC110385	385	405	498	5.0
sAFC110495	495	515	608	5.5
sAFC110535	535	555	648	6.0
sAFC110625	625	645	755	6.4
sAFC110685	685	705	798	6.7
sAFC110897	897	917	1010	8.1

UNIT: mm[inch]

SPECIFICATION

MODEL NO.	RATED VOLTAGE (V)	FREQUENCY (Hz)	RATED CURRENT (A)	INPUT POWER (W)	SPEED (RPM)	MAX. AIR PRESSURE		MAX. AIR FLOW		NOISE dB(A) @1M
						inchH ₂ O	mmH ₂ O	CFM	m ³ /min	
sAFC110385V2HB	220	50/60	0.27/0.30	60/70	1100/1200	0.20/0.28	5.0/7.0	424/549	12/13	52/54
sAFC110495V2HB	220	50/60	0.40/0.50	90/105	1200/1300	0.22/0.30	5.6/7.5	600/636	17/18	56/58
sAFC110535V2HB	220	50/60	0.40/0.50	90/110	1200/1300	0.21/0.30	5.4/7.5	707/742	20/21	56/58
sAFC110625V1HB	115	50/60	0.90/1.15	100/125	1250/1300	0.24/0.31	6.1/7.8	813/848	23/24	57/58
sAFC110625V2HB	220	50/60	0.45/0.57	105/130	1250/1300	0.24/0.31	6.1/7.8	813/848	23/24	57/58
sAFC110685V2HB	220	50/60	0.50/0.60	102/126	1200/1300	0.28/0.36	7.2/9.2	919/954	26/27	56/58
sAFC110897V2HB	220	50/60	0.60/0.80	136/175	1200/1200	0.29/0.37	7.4/9.5	1166/1166	33/33	58/58

AIR PERFORMANCE

