

sAFC 100450



Ø100mm x 450mm (Ø3.93" x 17.71")



HOUSING
IMPELLER
BEARING
INSULATION
OPERATING TEMPERATURE
OPERATING VOLTAGE RANGE

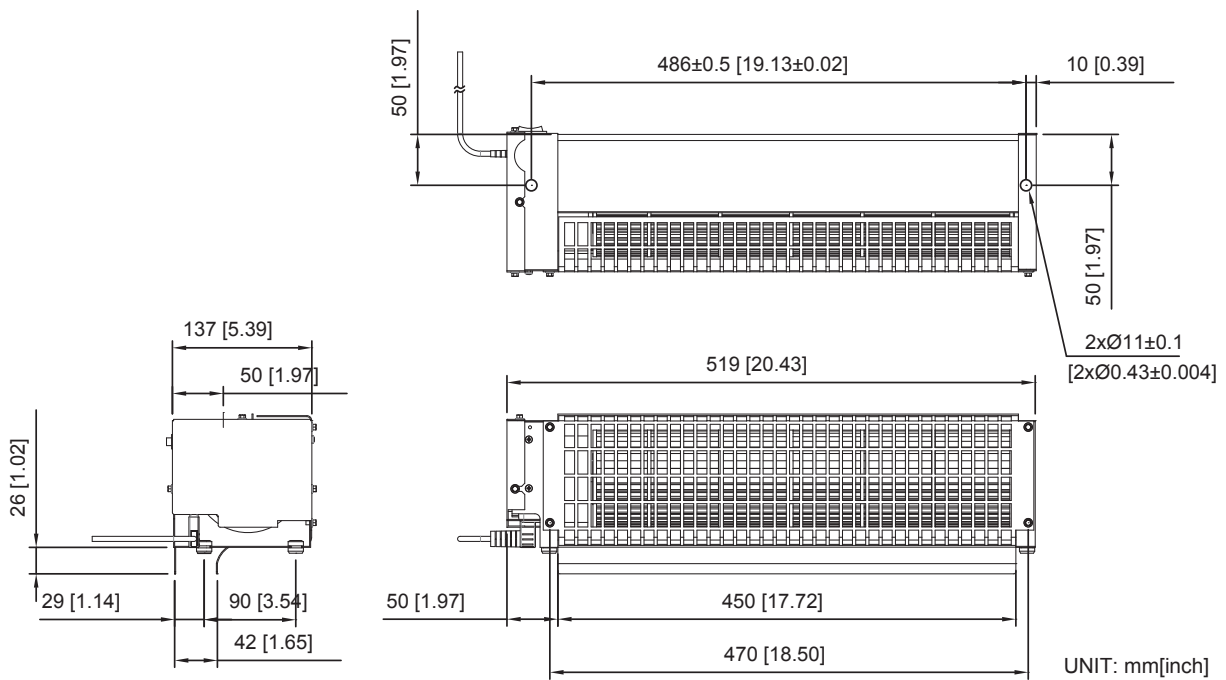
DIELECTRIC STRENGTH
INSULATION RESISTANCE
SAFETY
MOTOR TYPE
ROHS COMPLIANCE
IP LEVEL

Metal/Aluminum
Aluminum, Ø100mm
Ball
Class A
0°C to + 45°C
85 VAC to 125 VAC for 115V Type
185 VAC to 245 VAC for 230V Type
1,500 VAC for 1 second
10M Ω min. @500 VDC
Thermally Protected
Capacitor Motor
Yes
IP21 (Special IP Rating On Request)

100mm

100 mm

DIMENSION



SPECIFICATION

MODEL NO.	RATED VOLTAGE (V)	FREQUENCY (Hz)	RATED CURRENT (A)	INPUT POWER (W)	SPEED (RPM)	MAX. AIR FLOW		NOISE dB(A) @1M
						CFM	m ³ /min	
sAFC100450V1HB-NS/CS	120	50/60	0.32/0.37	38/45	1230/1320	367.22/381.34	10.4/10.8	52/55
sAFC100450V1MB-NS/CS	120	50/60	0.32/0.34	35/40	1150/1200	331.91/342.50	9.4/9.7	50.5/52
sAFC100450V1LB-NS/CS	120	50/60	0.30/0.34	35/39	1050/1050	317.79/317.79	9.0/9.0	47.5/47.5
sAFC100450V1HLB-TS/CS	120	50	0.32/0.30	35/38	1050/1230	317.79/367.22	9.0/10.4	47.5/52
sAFC100450V1HLB-TS/CS	120	60	0.37/0.34	39/45	1050/1320	317.79/381.34	9.0/10.8	47.5/55
sAFC100450V1MLB-TS/CS	120	50	0.32/0.30	35/35	1050/1150	317.79/331.91	9.0/9.4	47.5/50.5
sAFC100450V1MLB-TS/CS	120	60	0.34/0.34	39/40	1050/1200	317.79/342.50	9.0/9.7	47.5/52
sAFC100450V1HMB-TS/CS	120	50	0.32/0.32	35/38	1150/1230	331.91/367.22	9.4/10.4	50.5/52
sAFC100450V1HMB-TS/CS	120	60	0.37/0.34	40/45	1200/1320	342.5/381.34	9.7/10.8	52/55
sAFC100450V1HMLB-TS/CS	120	50	0.32/0.32/0.30	35/35/38	1050/1150/1230	317.79/331.91/367.22	9.0/9.4/10.4	47.5/50.5/52
sAFC100450V1HMLB-TS/CS	120	60	0.37/0.34/0.34	39/40/45	1050/1200/1320	317.79/342.50/381.34	9.0/9.7/10.8	47.5/52/55
sAFC100450V2HB-NS/CS	230	50/60	0.155/0.17	47/60	1240/1360	342.50/381.34	9.7/10.8	54.5/55.5
sAFC100450V2MB-NS/CS	230	50/60	0.16/0.17	39/44	1140/1190	314.25/328.38	8.9/9.3	52/53
sAFC100450V2LB-NS/CS	230	50/60	0.19/0.25	38/41	1040/1055	278.94/282.48	7.9/8.0	48.5/49.0
sAFC100450V2HLB-TS/CS	230	50	0.155/0.19	38/47	1040/1240	278.94/342.5	7.9/9.7	48.5/54.5
sAFC100450V2HLB-TS/CS	230	60	0.170.25	41/60	1055/1360	282.48/328.38	8.0/10.8	49.0/55.5
sAFC100450V2MLB-TS/CS	230	50	0.16/0.19	39/39	1040/1140	278.94/314.25	7.9/8.9	48.5/52.0
sAFC100450V2MLB-TS/CS	230	60	0.170.25	41/44	1055/1190	282.48/328.38	8.0/9.3	49.0/53.0
sAFC100450V2HMB-TS/CS	230	50	0.155/0.16	39/47	1140/1240/1360	314.25/342.5	8.9/9.7	52/54.5
sAFC100450V2HMB-TS/CS	230	60	0.17/0.17	44/60	1190/1360	328.38/381.34	9.3/10.8	53/55.5
sAFC100450V2HMLB-TS/CS	230	50	0.155/0.16/0.19	38/39/47	1040/1140/1240	278.94/314.25/342.5	7.9/8.9/9.7	48.5/52/54.5
sAFC100450V2HMLB-TS/CS	230	60	0.17/0.17/0.25	41/44/60	1050/1190/1360	282.48/328.38/381.34	8.0/9.3/10.8	49/53/55.5