

sAFC

100357

Ø100mm x 357mm(Ø3.93" x 14.05")

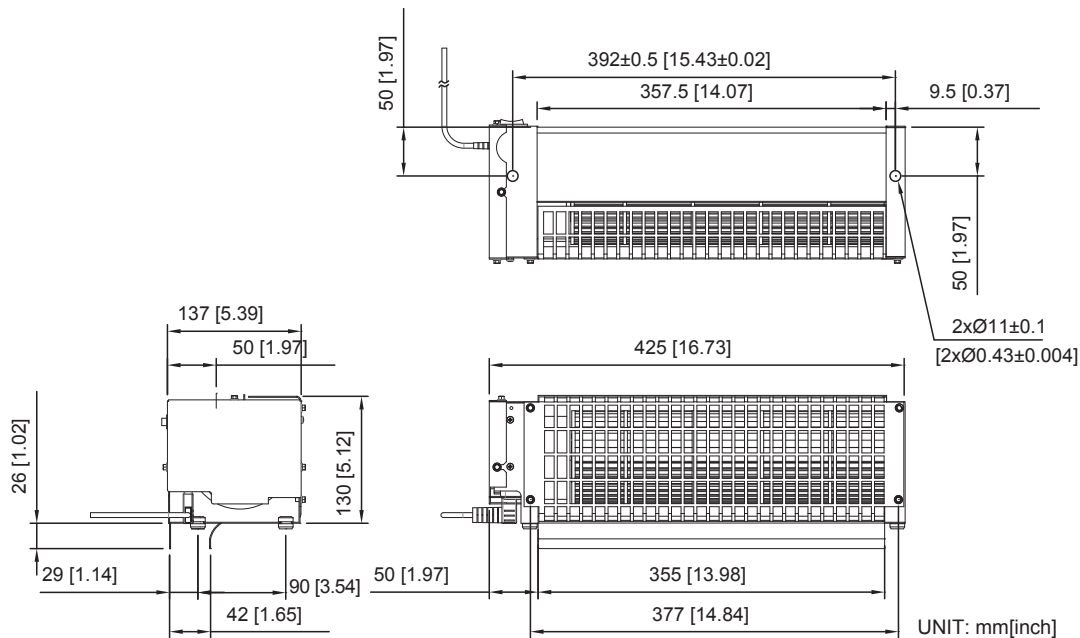


HOUSING Metal/Aluminum
IMPELLER Aluminum, Ø100mm
BEARING Ball
INSULATION Class A
OPERATING TEMPERATURE 0°C to + 45°C
OPERATING VOLTAGE RANGE 85 VAC to 125 VAC for 115V Type
 185 VAC to 245 VAC for 230V Type
DIELECTRIC STRENGTH 1,500 VAC for 1 second
INSULATION RESISTANCE 10M Ω min. @500 VDC
SAFETY Thermally Protected
MOTOR TYPE Capacitor Motor
ROHS COMPLIANCE Yes
IP LEVEL IP21 (Special IP Rating On Request)

100mm

100 mm

DIMENSION



SPECIFICATION

MODEL NO.	RATED VOLTAGE (V)	FREQUENCY (Hz)	RATED CURRENT (A)	INPUT POWER (W)	SPEED (RPM)	MAX. AIR FLOW		NOISE dB(A) @1M
						CFM	m ³ /min	
sAFC100357V1HB-NS/CS	120	50/60	51.5/48	30/32	1020/1095	282.48/307.19	8.0/8.7	46/48
sAFC100357V1MB-NS/CS	120	50/60	48.5/51	31/33	1100/1180	310.72/314.25	8.8/8.9	48.5/51.0
sAFC200357V1LB-NS/CS	120	50/60	46/48	33/38	1200/1280	349.56/367.22	9.9/10.4	51.5/53.5
sAFC100357V1HLB-TS/CS	120	50	51.5/46	30/33	1020/1200	282.48/349.56	8.0/9.9	46.0/51.5
sAFC100357V1HMB-TS/CS	120	60	53.5/48	32/38	1095/1280	307.19/367.22	8.7/10.4	48.0/53.5
sAFC100357V1MLB-TS/CS	120	50	48.5/46	30/31	1020/1100	282.48/310.72	8.0/8.8	46.0/48.5
sAFC100357V1MLB-TS/CS	120	60	51/48	32/33	1095/1180	307.19/314.	8.7/8.9	48.0/51.0
sAFC100357V1HMB-TS/CS	120	50	51.5/48.5	31/33	1100/1200	310.72/349.56	8.8/9.9	48.5/51.5
sAFC100357V1HMB-TS/CS	120	60	48/51	33/38	1180/1280	310.72/349.56	8.9/10.4	51.0/53.5
sAFC100357V1HMLB-TS/CS	120	50	51.5/48.5/46	30/31/33	1020/1100/1200	310.72/310.72/349.56	8.8/8.8/9.9	46/48.5/51.5
sAFC100357V1HMLB-TS/CS	120	60	53.5/51/48	32/33/38	1095/1180/1280	307.19/314.25/367.22	8.7/8.9/10.4	48/51/53.5
sAFC100357V2HB-NS/CS	230	50/60	0.17/0.22	44/55	1240/1350	247.17/275.41	7.0/7.8	52/54
sAFC100357V2MB-NS/CS	230	50/60	0.13/0.12	31./35	1140/1210	225.98/243.63	6.4/6.9	49.5/51
sAFC100357V2LB-NS/CS	230	50/60	0.11/0.12	29/31	1055/1110	197.73/211.86	6.4/6.0	47.5/48.5
sAFC100357V2HLB-TS/CS	230	50	0.17/0.11	29/44	1055/1240	197.73/247.17	5.6/7.0	47.5/52.0
sAFC100357V2HMB-TS/CS	230	60	0.22/0.12	31/55	1110/1350	211.86/275.41	6.0/7.8	48.5/54.0
sAFC100357V2MLB-TS/CS	230	50	0.13/0.11	29/31	1055/1140	197.73/225.98	5.6/6.4	47.5/49.5
sAFC100357V2MLB	230	60	0.12/0.12	31/35	1110/1210	211.86/243.63	6.0/6.9	48.5/51.0
sAFC100357V2HMB-TS/CS	230	50	0.17/0.13	31/44	1140/1240	225.98/247.17	6.4/7.0	49.5/52.0
sAFC100357V2HMLB-TS/CS	230	60	0.22/0.12	35/55	1210/1350	243.63/275.41	6.9/7.8	51.0/54.0
sAFC100357V2HMLB-TS/CS	230	50	0.17/0.13/0.11	29/31/44	1055/1140/1240	197.73/225.98/247.17	5.6/6.4/7.0	47.5/49.5/52.0
sAFC100357V2HMLB-TS/CS	230	60	0.22/0.12/0.12	31/35/55	1110/1210/1350	211.86/243.63/275.41	6.0/6.9/7.8	48.5/51.0/51.0