

9225

100VAC to 240VAC Energy Saving AC Fan



General Specifications

- ◆ Frame Size..... 92x92x25mm
- ◆ Material..... Frame: Plastic (UL94V-0), Impeller:Plastic(UL94V-0)
Lead Wire: UL1007AWG#24 300mm or Terminal
- ◆ Motor Protection..... AF series fans have auto restart function
- ◆ Input Voltage..... A rated voltage range of 100V~240V(50/60Hz) AC&D C,Rotation speed remains constant even at different input voltages
- ◆ Dielectric Strength..... 50/60Hz 1500 VAC 1min (Between input terminal and frame)
- ◆ Temperature Range.... Operating Temperature -20°C~70°C (Non-condensing)
Storage Temperature -40°C~70°C (Non-condensing)
- ◆ Expected life..... Ball Bearing 70,000hrs at 40°C (approximately 8 years)
- ◆ Fan Specials..... **RD FG PWM IP54 AS**

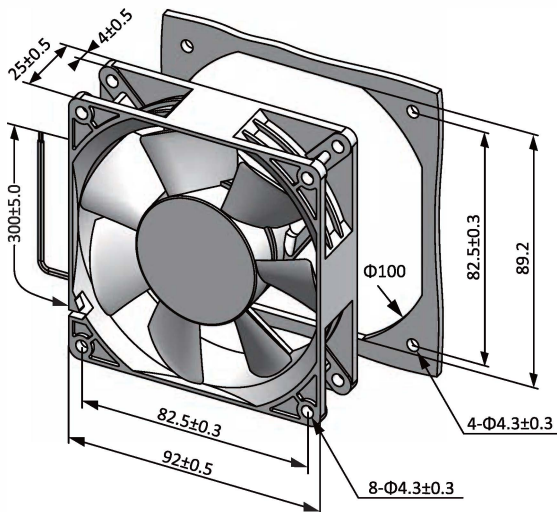
Specifications

| Model | #Bearing Type | Rated Voltage | Input Current | Input Power | Speed | Max Air Flow | | Max Static Pressure | | Noise | Weight |
|----------------|---------------|---------------|---------------|-------------|-------|--------------|---------------------|-----------------------|-------|-------|--------|
| Part No. | B | VAC&VDC | Amp | Watt | RPM | CFM | m ³ /min | Inch-H ₂ O | Pa | dB-A | g |
| sE9225DVHBL(T) | B | 100~240 | 0.06 | 6.00 | 3500 | 55.68 | 1.58 | 0.27 | 66.10 | 44.0 | 106.0 |
| sE9225DVMBL(T) | B | 100~240 | 0.05 | 3.70 | 3000 | 45.69 | 1.29 | 0.18 | 45.40 | 38.6 | 106.0 |
| sE9225DVLBL(T) | B | 100~240 | 0.04 | 2.50 | 2500 | 38.58 | 1.09 | 0.13 | 32.85 | 34.1 | 106.0 |

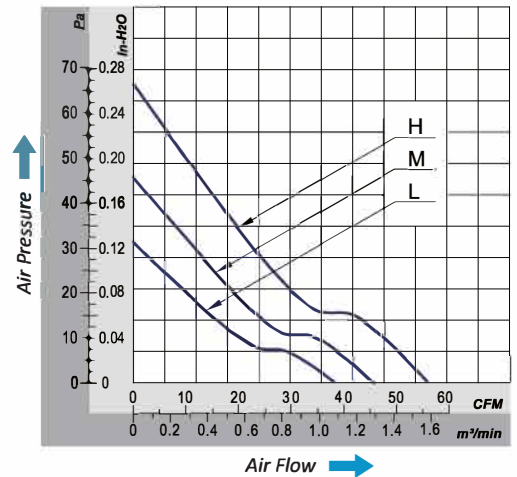
All model could be customized on voltage or any other requirements to fit your need.

Note: DV is 100 to 240VAC , (L) is Leadwire , (T) is Terminal

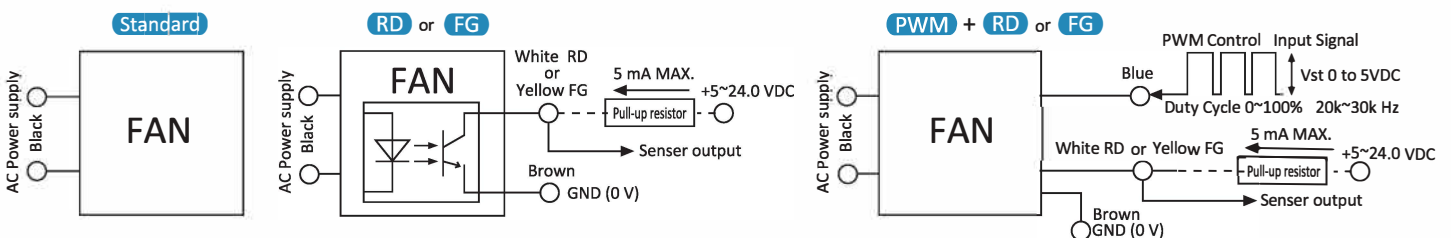
Dimensions (Unit:mm)



PQ Curve (At Rated Voltage)



Wiring Diagram



Note: Standard AF fan have two lead wire or Terminal.

RD or FG , have 4 lead wires . RD is White color , FG is Yellow color, Brown is Ground
PWM with RD or FG signal have 5 lead wires, PWM is Blue color, Brown is Ground