

## 8025

### 100VAC to 240VAC Energy Saving AC Fan



#### General Specifications

- ◆ Frame Size..... 80x80x25mm
- ◆ Material..... Frame: Plastic (UL94V-0), Impeller:Plastic(UL94V-0)  
Lead Wire: UL1007AWG#24 300mm or Terminal
- ◆ Motor Protection..... AF series fans have auto restart function
- ◆ Input Voltage..... A rated voltage range of 100V~240V(50/60Hz) AC&DC ,Rotation speed remains constant even at different input voltages
- ◆ Dielectric Strength..... 50/60Hz 1500 VAC 1min (Between input terminal and frame)
- ◆ Temperature Range.... Operating Temperature -20°C~70°C (Non-condensing)  
Storage Temperature -40°C~70°C (Non-condensing)
- ◆ Expected life..... Ball Bearing 70,000hrs at 40°C (approximately 8 years)
- ◆ Fan Specials..... **RD FG PWM IP54 AS**

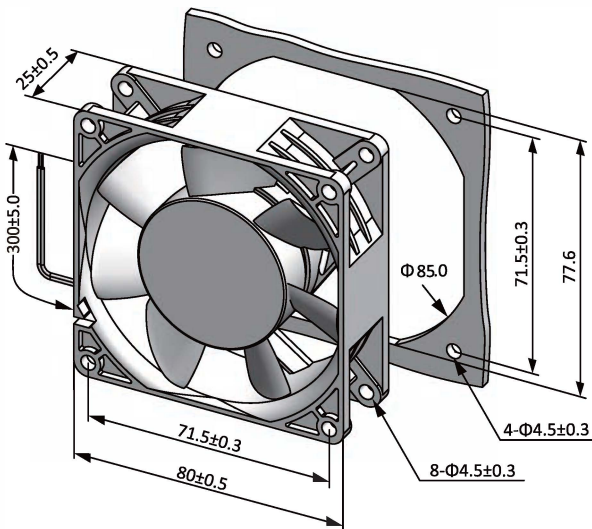
#### Specifications

Model	#Bearing Type	Rated Voltage	Input Current	Input Power	Speed	Max Air Flow		Max Static Pressure		Noise	Weight
Part No.	B	VAC&VDC	Amp	Watt	RPM	CFM	m <sup>3</sup> /min	Inch-H <sub>2</sub> O	Pa	dB-A	g
sE8025DVHBL (T)	B	100~240	0.06	4.50	3500	38.92	1.10	0.25	61.49	31.0	95.0
sE8025DVMBL(T)	B	100~240	0.05	2.80	3000	32.13	0.91	0.17	42.27	27.0	95.0
sE8025DVLBL (T)	B	100~240	0.04	1.60	2500	26.09	0.74	0.11	27.75	24.0	95.0

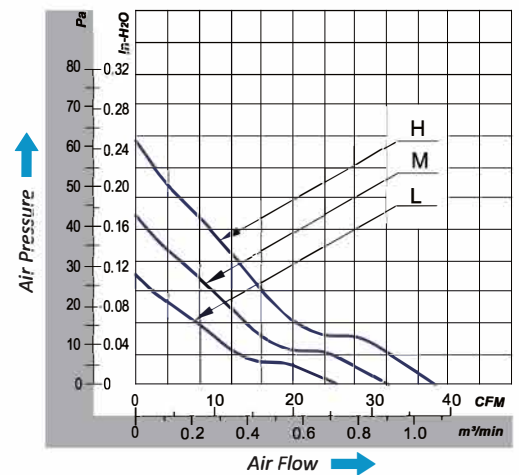
All model could be customized on voltage or any other requirements to fit your need.

Note: DV is 100 to 240VAC , (L) is Lead wire , (T) is Terminal

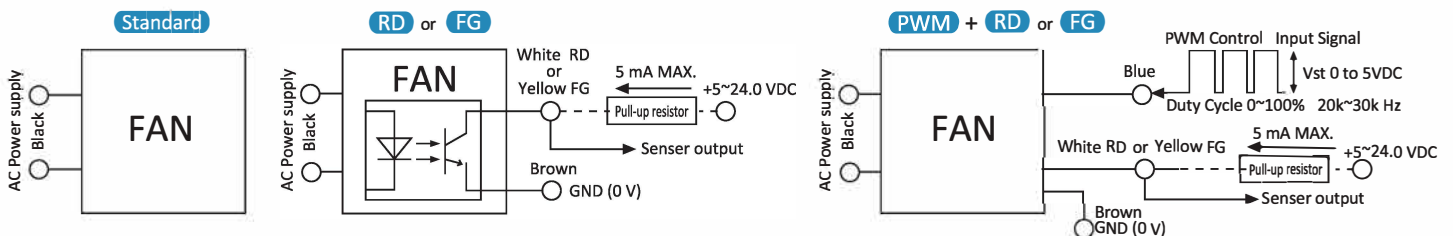
#### Dimensions (Unit:mm)



#### PQ Curve (At Rated Voltage)



#### Wiring Diagram



Note: Standard AF fan have two lead wire or Terminal.

RD or FG , have 4 lead wires . RD is White color , FG is Yellow color, Brown is Ground

PWM with RD or FG signal have 5 lead wires, PWM is Blue color, Brown is Ground