



AF EC COOLING FAN

25489

220-240VAC Energy Saving AC Fan

General Specifications

- ◆ Frame Size..... $\phi 254 \times 89 \text{mm}$
- ◆ Material..... Frame: Aluminum (UL94V-0), Impeller: Plastic (UL94V-0)
Lead Wire: UL1007AWG#20 400mm
- ◆ Motor Protection..... AF series fans have auto restart function
- ◆ Input Voltage..... A rated voltage range of 200V~240V(50/60Hz) AC&DC ,Rotation speed remains constant even at different input voltages
- ◆ Dielectric Strength..... 1800VAC/5mA/3S (Between input terminal and frame)
- ◆ Temperature Range.... Operating Temperature $-25^{\circ}\text{C} \sim 70^{\circ}\text{C}$ (Non-condensing)
Storage Temperature $-40^{\circ}\text{C} \sim 80^{\circ}\text{C}$ (Non-condensing)
- ◆ Expected life..... Ball Bearing 50,000hrs at 40°C
- ◆ Fan Specials..... **RD** **FG** **IP54** **AS**



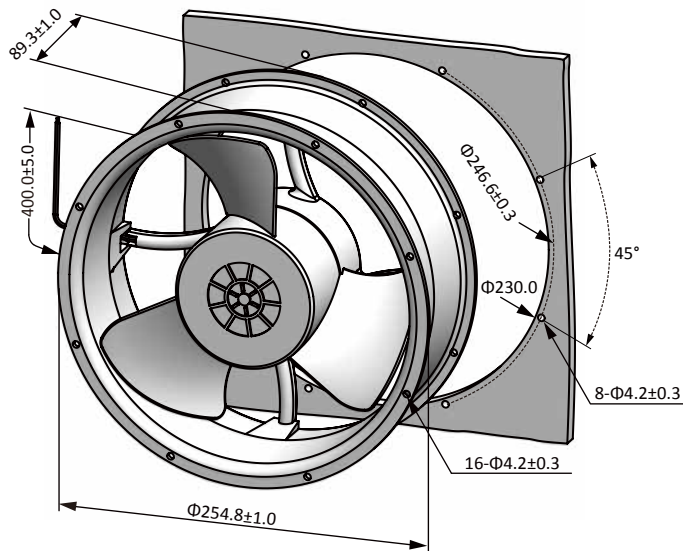
Specifications

Model	Rev	#Bearing Type	Rated Voltage	Power	Speed	Max Air Flow		Max Static Pressure		Noise	Weight
Part No.	XXX	B.S	VAC	Watt	RPM	CFM	m ³ /min	Inch-H ₂ O	Pa	dB-A	g
sE25489V2HBL	F01	B	220-240	90.0	2600	833.82	23.62	0.88	218.04	69.2	2140.0
sE25489V2MBL	F01	B	220-240	70.0	2100	668.51	18.94	0.58	144.64	63.1	2140.0
sE25489V2LBL	F01	B	220-240	50.0	1600	520.70	14.75	0.36	89.52	56.1	2140.0

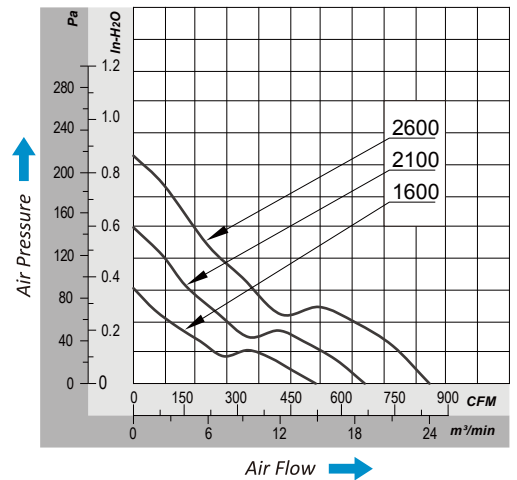
All models could be customized on voltage or any other requirements to fit your need.

Note: "V2" is 220 VAC, (L) is Lead wire

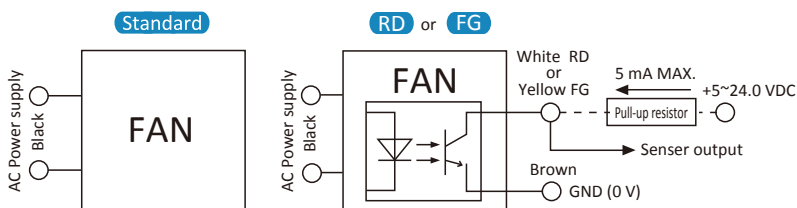
Dimensions (Unit:mm)



PQ Curve (At Rated Voltage)



Wiring Diagram



Note: Standard AF fan have two lead wire or Terminal.

RD or FG, have 4 lead wires. RD is White color, FG is Yellow color, Brown is Ground