



EC COOLING FAN

20060

220-240VAC Energy Saving AC Fan



General Specifications

- ◆ Frame Size..... 200x200x60mm
- ◆ Material..... Frame: Aluminum (UL94V-0), Impeller: Plastic(UL94V-0)
Lead Wire: UL1007AWG#20 400mm
- ◆ Motor Protection..... AF series fans have auto restart function
- ◆ Input Voltage..... A rated voltage range of 200V~240V(50/60Hz) AC&DC ,Rotation speed remains constant even at different input voltages
- ◆ Dielectric Strength..... 1800VAC/5mA/3S (Between input terminal and frame)
- ◆ Temperature Range.... Operating Temperature -25°C~70°C (Non-condensing)
Storage Temperature -40°C~80°C (Non-condensing)
- ◆ Expected life..... Ball Bearing 50,000hrs at 40°C
- ◆ Fan Specials..... **RD** **FG** **IP54** **AS**

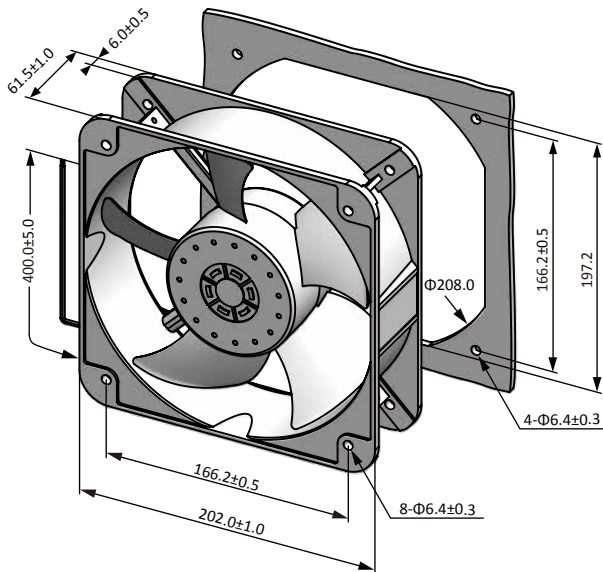
Specifications

Model	Rev	#Bearing Type	Rated Voltage	Power	Speed	Max Air Flow		Max Static Pressure		Noise	Weight
Part No.	XXX	B.S	VAC	Watt	RPM	CFM	m ³ /min	Inch-H ₂ O	Pa	dB-A	g
sE20060V2HBL	F01	B	220-240	60.00	3000	559.45	15.85	0.82	203.78	65.4	1090.0
sE20060V2MBL	F01	B	220-240	50.00	2500	468.08	13.26	0.56	140.58	60.3	1090.0
sE20060V2LBL	F01	B	220-240	40.00	2000	373.23	10.57	0.35	88.25	53.4	1090.0

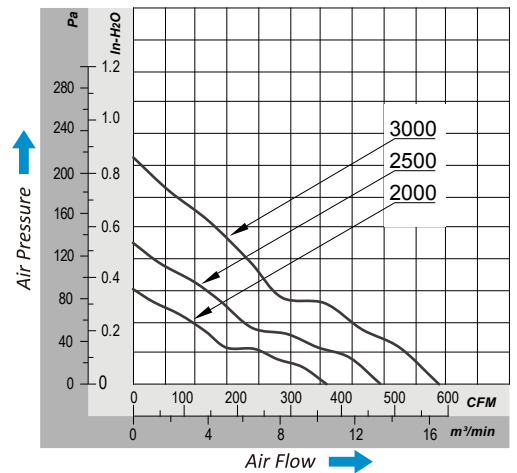
All models could be customized on voltage or any other requirements to fit your need.

Note: "V2" is 220 VAC, (L) is Lead wire

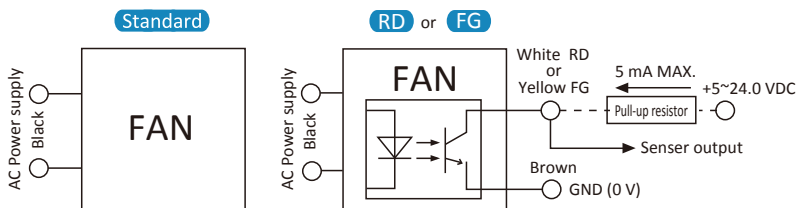
Dimensions (Unit:mm)



PQ Curve (At Rated Voltage)



Wiring Diagram



Note: Standard AF fan have two lead wire or Terminal.

RD or FG, have 4 lead wires. RD is White color, FG is Yellow color, Brown is Ground