

17251

100VAC to 240VAC Energy Saving AC Fan

General Specifications

- ◆ Frame Size..... 172x150x51mm
- ◆ Material..... Frame: Aluminum (UL94V-0), Impeller:Plastic(UL94V-0)
Lead Wire: UL1007AWG#22 400mm or Terminal
- ◆ Motor Protection..... AF series fans have auto restart function
- ◆ Input Voltage..... A rated voltage range of 100V~240V(50/60Hz) AC&DC ,Rotation speed remains constant even at different input voltages
- ◆ Dielectric Strength..... 50/60Hz 1500 VAC 1min (Between input terminal and frame)
- ◆ Temperature Range.... Operating Temperature -20°C~70°C (Non-condensing)
Storage Temperature -40°C~70°C (Non-condensing)
- ◆ Expected life..... Ball Bearing 70,000hrs at 40°C (approximately 8 years)
- ◆ Fan Specials..... **RD FG PWM IP54 AS**



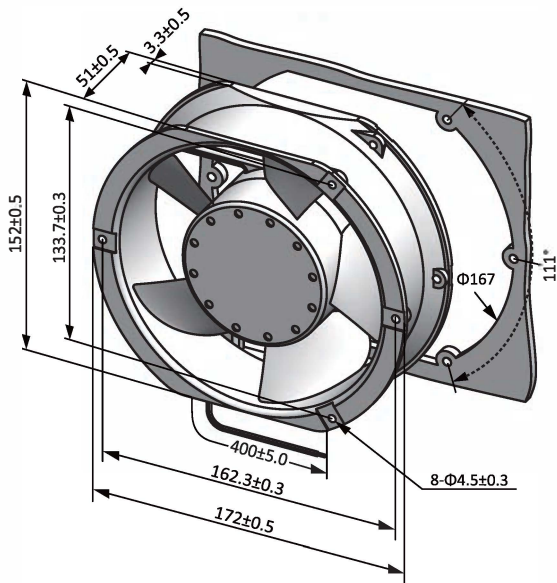
Specifications

Model	#Bearing Type	Rated Voltage	Input Current	Input Power	Speed	Max Air Flow		Max Static Pressure		Noise	Weight
Part No.	B	VAC&VDC	Amp	Watt	RPM	CFM	m ³ /min	Inch-H ₂ O	Pa	dB-A	g
sE17251DVHBL(T)	B	100~240	0.20	22.50	3200	228.35	6.47	0.60	149.55	55.4	720.0
sE17251DVMBL(T)	B	100~240	0.17	19.00	2800	199.34	5.65	0.46	115.03	51.5	720.0
sE17251DVLBL(T)	B	100~240	0.10	12.00	2500	180.83	5.12	0.38	93.46	48.0	720.0

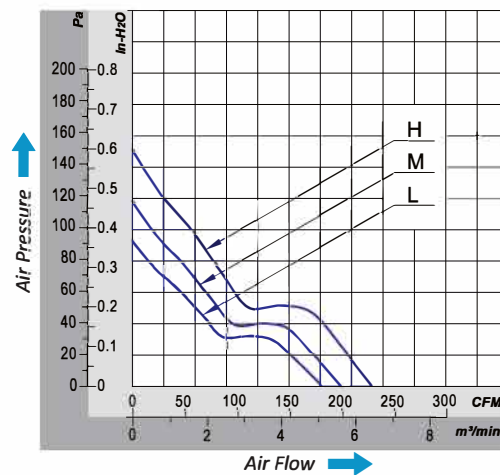
All model could be customized on voltage or any other requirements to fit your need

Note: DV is 100 to 240 VAC, (L) is Lead wire, (T) is Terminal

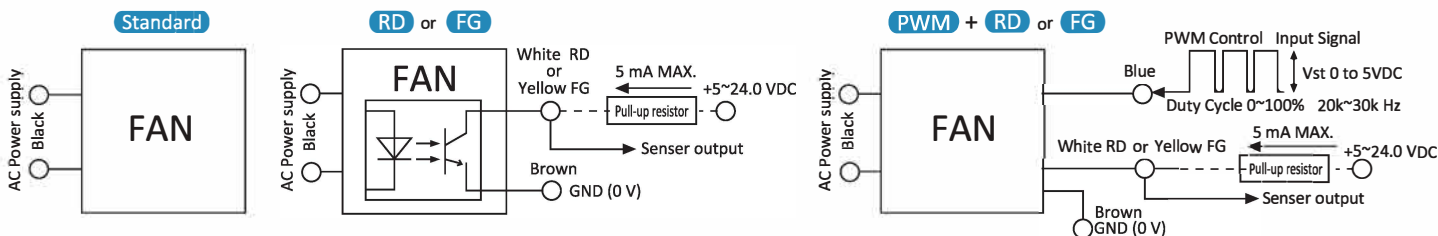
Dimensions (Unit:mm)



PQ Curve (At Rated Voltage)



Wiring Diagram



Note: Standard AF fan have two lead wire or Terminal.

RD or FG, have 4 lead wires. RD is White color, FG is Yellow color, Brown is Ground
PWM with RD or FG signal have 5 lead wires, PWM is Blue color, Brown is Ground