



EC COOLING FAN

12038

100VAC to 240VAC
Energy Saving AC Fan



General Specifications

- ◆ Frame Size..... 120x120x38mm 7 blades
- ◆ Material..... Frame: Plastic (UL94V-0), Impeller:Plastic(UL94V-0)
Lead Wire: UL1007AWG#22 300mm or Terminal
- ◆ Motor Protection..... AF series fans have auto restart function
- ◆ Input Voltage..... A rated voltage range of 100V~240V(50/60Hz) AC&DC ,Rotation speed remains constant even at different input voltages
- ◆ Dielectric Strength..... 50/60Hz 1500 VAC 1min (Between input terminal and frame)
- ◆ Temperature Range.... Operating Temperature -20°C~70°C (Non-condensing)
Storage Temperature -40°C~70°C (Non-condensing)
- ◆ Expected life..... Ball Bearing 70,000hrs at 40°C (approximately 8 years)
- ◆ Fan Specials..... **RD** **FG** **PWM** **IP54** **AS**

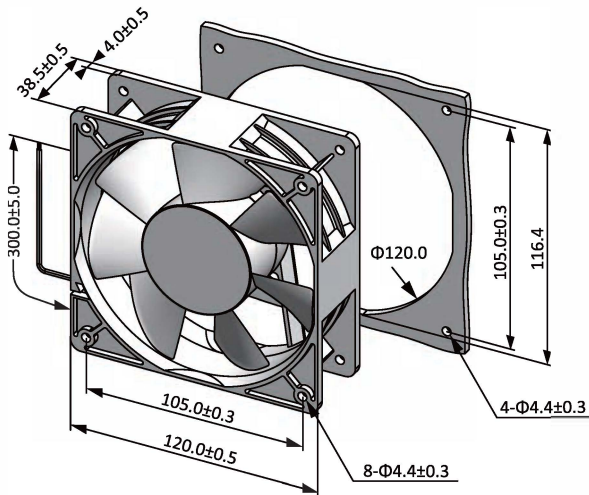
Specifications

Model	Rev	#Bearing Type	Rated Voltage	Input Current	Input Power	Speed	Max Air Flow		Max Static Pressure		Noise	Weight
Part No.	XXX	B.S	VAC	Amp	Watt	RPM	CFM	m ³ /min	Inch-H ₂ O	Pa	dB-A	g
sE12038DVHBL(T)		B	100~240	0.18	9.50	3500	123.92	3.51	0.36	90.51	49.3	285
sE12038DVMBL(T)		B	100~240	0.12	6.20	3000	109.88	3.11	0.29	72.08	45.2	285
sE12038DVLBL(T)		B	100~240	0.08	4.20	2500	86.25	2.44	0.20	49.13	38.5	285
sE12038BDVDBL(T)		B	100~240	0.06	3.50	1700	58.84	1.67	0.10	24.93	27.6	285

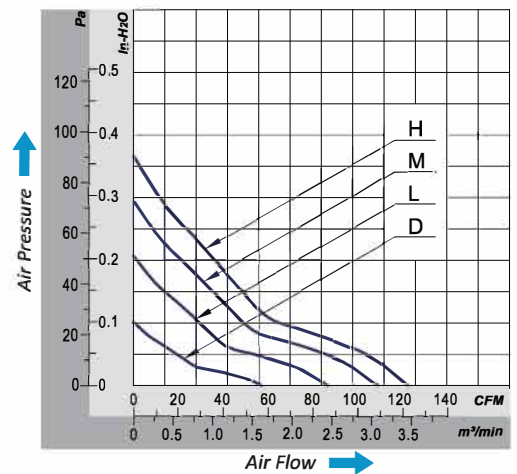
All model could be customized on voltage or any other reuirements to fit your need.

Note: DV is 100 to 240VAC, (L) is Lead wire , (T) is Terminal

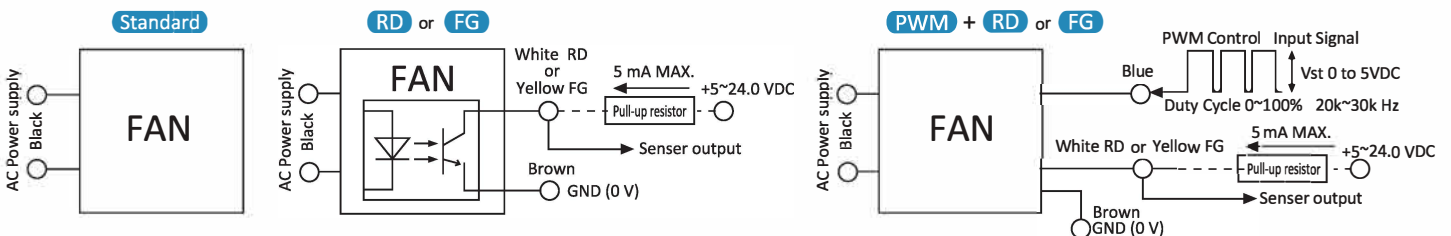
Dimensions (Unit:mm)



PQ Curve (At Rated Voltage)



Wiring Diagram



Note: Standard AF fan have two lead wire or Terminal.

RD or FG , have 4 lead wires . RD is White color , FG is Yellow color, Brown is Ground
PWM with RD or FG signal have 5 lead wires, PWM is Blue color, Brown is Ground