



EC COOLING FAN

12038

100VAC to 240VAC
Energy Saving AC Fan

General Specifications

- ◆ Frame Size..... 120x120x38mm new high performance 5 blades
- ◆ Material..... Frame: Plastic (UL94V-0), Impeller:Plastic(UL94V-0)
Lead Wire: UL1007AWG#24 300mm or Terminal
- ◆ Motor Protection..... AF series fans have auto restart function
- ◆ Input Voltage..... A rated voltage range of 100V~240V(50/60Hz) AC&DC ,Rotation speed remains constant even at different input voltages
- ◆ Dielectric Strength..... 50/60Hz 1500 VAC 1min (Between input terminal and frame)
- ◆ Temperature Range.... Operating Temperature -20°C~70°C (Non-condensing)
Storage Temperature -40°C~70°C (Non-condensing)
- ◆ Expected life..... Ball Bearing 70,000hrs at 40°C (approximately 8 years)
- ◆ Fan Specials..... **RD FG PWM IP56 AS**



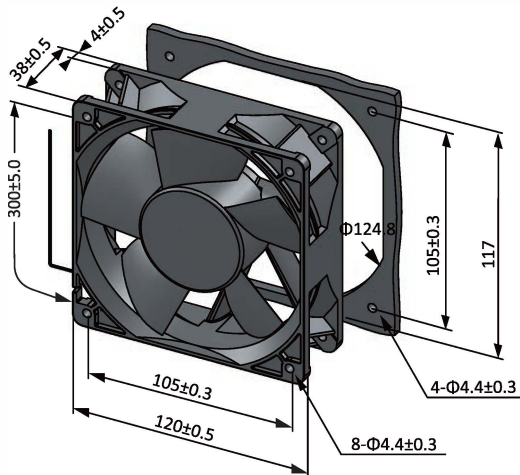
Specifications

Model	Rev	#Bearing Type	Rated Voltage	Input Current	Input Power	Speed	Max Air Flow		Max Static Pressure		Noise	Weight
Part No.	A	B.S	VAC	Amp	Watt	RPM	CFM	m ³ /min	Inch-H ₂ O	Pa	dB-A	g
sE12038BDVUBL-5	A01	B	100~240	0.18	15.0	3500	137.64	3.90	0.47	110.86	51.5	260
sE12038DVHBL-5	A01	B	100~240	0.12	9.50	3300	126.73	3.59	0.40	99.60	49.9	260
sE1203DVMB L-5	A01	B	100~240	0.10	6.20	2700	106.03	3.00	0.29	72.21	44.4	260
sE12038BDVLBL-5	A01	B	100~240	0.08	4.20	2500	96.57	2.73	0.24	59.76	41.7	260
sE12038DVLBL-5	A01	B	100~240	0.05	3.50	1600	61.91	1.75	0.11	27.54	30.8	260

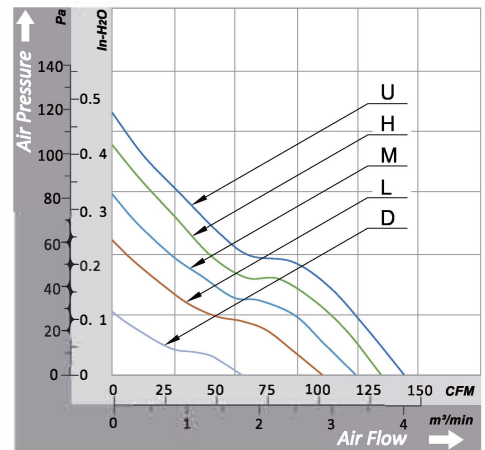
All model could be customized on voltage or any other requirements to fit your need. information

Note: DV is 100 to 240VAC , (L) is Lead wire , (T) is Terminal

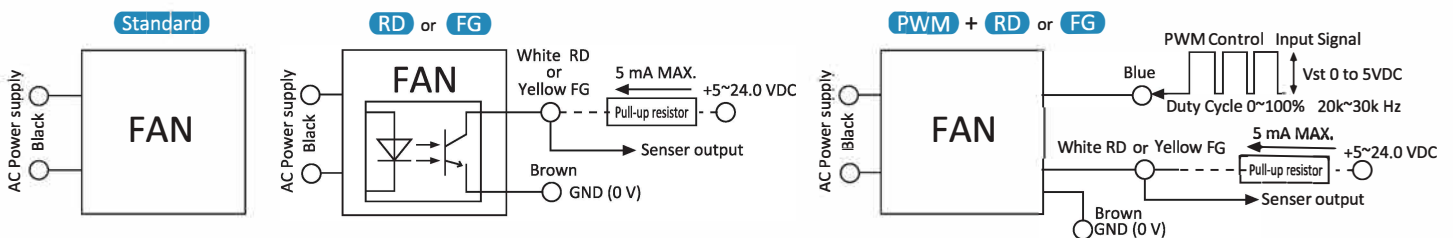
Dimensions (Unit:mm)



PQ Curve (At Rated Voltage)



Wiring Diagram



Note: Standard AF fan have two lead wire or Terminal.

RD or FG , have 4 lead wires . RD is White color , FG is Yellow color, Brown is Ground
PWM with RD or FG signal have 5 lead wires, PWM is Blue color, Brown is Ground