

12025

100VAC to 240VAC Energy Saving AC Fan



General Specifications

- ◆ Frame Size..... 120x120x25mm
- ◆ Material..... Frame: Plastic (UL94V-0), Impeller:Plastic(UL94V-0)
Lead Wire: UL1007AWG#24 300mm or Terminal
- ◆ Motor Protection..... AF series fans have auto restart function
- ◆ Input Voltage..... A rated voltage range of 100V~240V(50/60Hz) AC&DC ,Rotation speed remains constant even at different input voltages
- ◆ Dielectric Strength..... 50/60Hz 1500 VAC 1min (Between input terminal and frame)
- ◆ Temperature Range.... Operating Temperature -20°C~70°C (Non-condensing)
Storage Temperature -40°C~70°C (Non-condensing)
- ◆ Expected life..... Ball Bearing 70,000hrs at 40°C (approximately 8 years)
- ◆ Fan Specials..... **RD FG PWM IP54 AS**

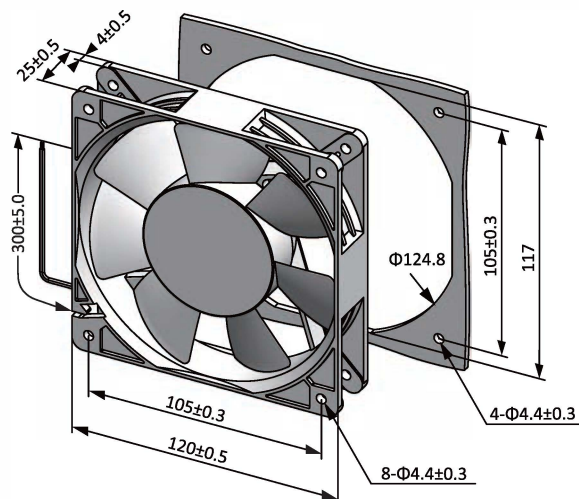
Specifications

Model	#Bearing Type	Rated Voltage	Input Current	Input Power	Speed	Max Air Flow		Max Static Pressure		Noise	Weight
Part No.	B	VAC&VDC	Amp	Watt	RPM	CFM	m ³ /min	Inch-H ₂ O	Pa	dB-A	g
sE12025DVHBL(T)	B	100~240	0.10	6.00	3000	79.16	2.24	0.18	43.74	44.8	147.0
sE12025DVMBL(T)	B	100~240	0.08	3.80	2600	69.77	1.98	0.13	33.15	41.9	147.0
sE12025DVLBL(T)	B	100~240	0.06	2.40	2200	58.10	1.64	0.10	24.52	37.0	147.0

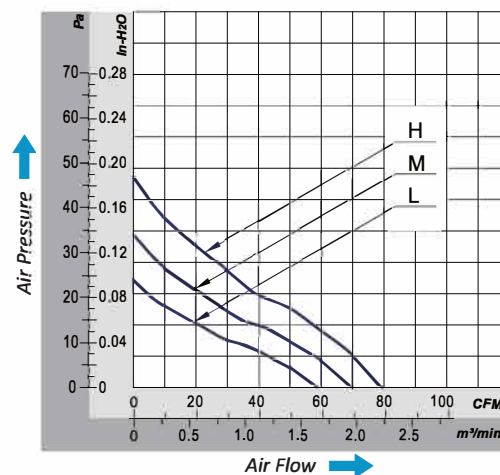
All model could be customized on voltage or any other requirements to fit your need

Note: DV is 100 to 240VAC, (L) is Lead wire, (T) is Terminal

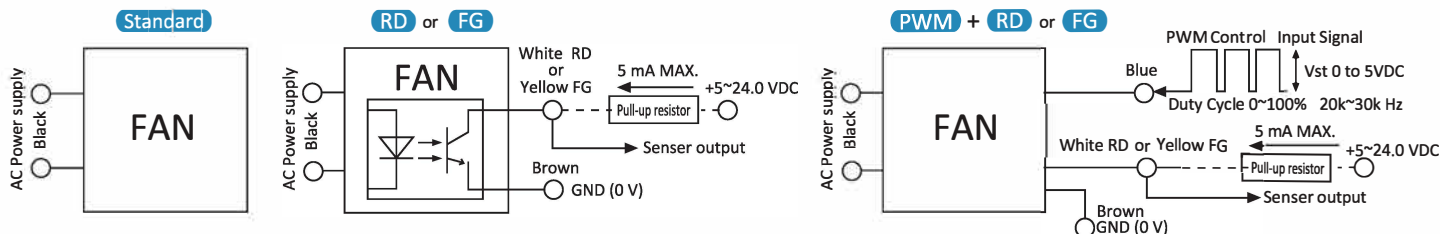
Dimensions (Unit:mm)



PQ Curve (At Rated Voltage)



Wiring Diagram



Note: Standard AF fan have two lead wire or Terminal.

RD or FG, have 4 lead wires. RD is White color, FG is Yellow color, Brown is Ground
PWM with RD or FG signal have 5 lead wires, PWM is Blue color, Brown is Ground