

## DP8038-1 80x80x38MM



### General Specifications

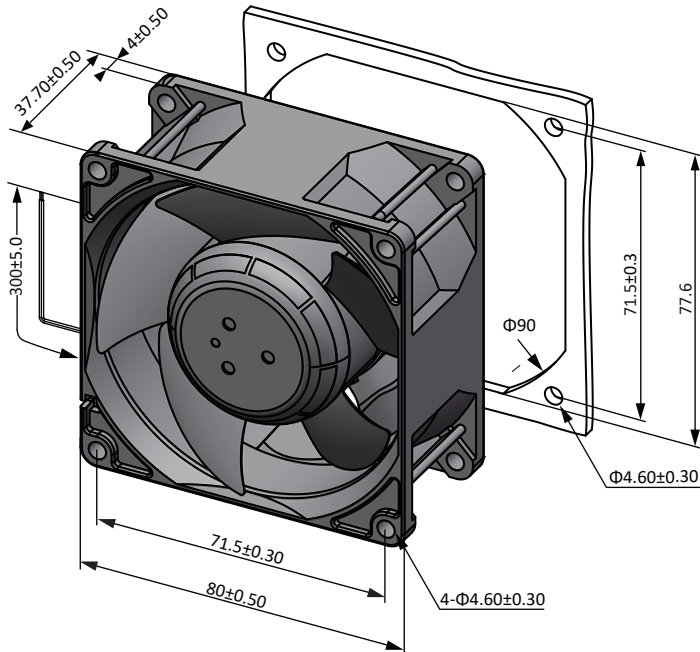
- ◆ Material..... Frame: Plastic (UL94V-0)  
Impeller: Plastic (UL94V-0)  
Lead Wire: UL1007AWG#24 or Equivalent (+) Red, (-) Black
- ◆ Expected Life..... Ball Bearing 70,000hrs (40°C)
- ◆ Temperature Range... Operating temperature -10°C~70°C (Non-condensing)  
Storage temperature -40°C~70°C (Non-condensing)
- ◆ Safety Standards..... UL, TUV, RoHS, CE
- ◆ DC Fan Specials..... RD, FG, PWM, Temperature control, IP56

### Specifications

Model	#Bearing Type	Rated Voltage	Operating Voltage	Input Current	Input Power	Speed	Max Air Flow	Max Static Pressure	Noise	Weight		
Part No.	B.S	VDC	VDC	Amp	Watt	RPM	CFM	m <sup>3</sup> /min	Inch-H <sub>2</sub> O	Pa	dB-A	g
sDP8038V12U-1	B	12	7.0~13.8	1.50	16.20	9500	92.83	2.63	2.60	646.80	63.9	153.0
sDP8038V12H-1	B	12	7.0~13.8	0.90	12.00	8500	82.48	2.34	2.09	520.38	61.1	153.0
sDP8038V12M-1	B	12	7.0~13.8	0.60	9.36	7500	72.71	2.06	1.61	401.80	57.9	153.0
sDP8038V12L-1	B	12	7.0~13.8	0.40	6.84	6500	62.82	1.76	1.20	298.90	54.2	153.0
sDP8038V12D-1	B	12	7.0~13.8	0.40	4.45	5500	45.11	1.49	0.86	214.62	51.6	153.0
sDP8038V24U-1	B	24	14.0~27.6	0.80	16.08	9500	92.83	2.63	2.60	646.80	63.9	153.0
sDP8038V24H-1	B	24	14.0~27.6	0.50	12.00	8500	82.48	2.34	2.09	520.38	61.1	153.0
sDP8038V24M-1	B	24	14.0~27.6	0.30	8.88	7500	72.71	2.06	1.61	401.80	57.9	153.0
sDP8038V24L-1	B	24	14.0~27.6	0.20	6.72	6500	62.82	1.76	1.20	298.90	54.2	153.0
sDP8038V48D-1	B	48	28.0~56.0	0.50	4.80	5500	45.11	1.49	0.86	214.62	51.6	153.0
sDP8038V48U-1	B	48	28.0~56.0	0.30	17.28	9500	92.83	2.63	2.60	646.80	63.9	153.0
sDP8038V48H-1	B	48	28.0~56.0	0.20	13.92	8500	82.48	2.34	2.09	520.38	61.1	153.0
sDP8038V48M-1	B	48	28.0~56.0	0.30	10.08	7500	72.71	2.06	1.61	401.80	57.9	153.0
sDP8038V48L-1	B	48	28.0~56.0	0.20	7.20	6500	62.82	1.76	1.20	298.90	54.2	153.0
sDP8038V48D-1	B	48	28.0~56.0	0.10	4.80	5500	45.11	1.49	0.86	214.62	51.6	153.0

Specifications are subject to change without notice. Please visit our website at <http://www.sofasco.com> for update information

### Dimensions (Unit:mm)



### PQ Curve (At rated Voltage)

