

DP4028-A1 40x40x28MM

DUST PROOF SERIES

NEW



General Specifications

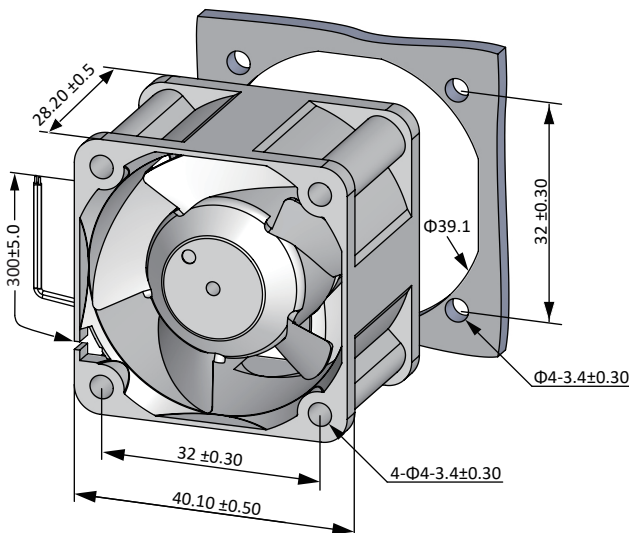
- ◆ Material..... Frame: Plastic (UL94V-0)
Impeller: Plastic (UL94V-0)
Lead Wire: UL1007AWG#24 or Equivalent (+) Red, (-) Black
- ◆ Expected Life..... Ball Bearing 70,000hrs (40°C)
Sleeve Bearing 30,000hrs (40°C)
- ◆ Temperature Range.... Operating temperature -10°C~70°C (Non-condensing)
Storage temperature -40°C~70°C (Non-condensing)
- ◆ Safety Standards..... UL, TUV, RoHS, CE
- ◆ DC Fan Specials..... RD, FG, PWM, IP56

Specifications

Model	#Bearing Type	Rated Voltage	Operating Voltage	Input Current	Input Power	Speed	Max Air Flow		Max Static Pressure		Noise	Weight
Part No.	B	VDC	VDC	Amp	Watt	RPM	CFM	m ³ /min	Inch-H ₂ O	Pa	dB-A	g
sDP4028V12H-A1	B	12	7.0~13.8	0.48	5.76	15000	24.45	0.69	1.18	293.02	55.1	40.0
sDP4028V12M-A1	B	12	7.0~13.8	0.35	4.20	13000	21.12	0.60	0.88	219.52	52.7	40.0
sDP4028V12L-A1	B	12	7.0~13.8	0.17	2.04	10000	16.29	0.46	0.52	129.36	44.0	40.0
sDP4028V12D-A1	B	12	7.0~13.8	0.12	1.44	8000	12.81	0.60	0.33	81.44	39.6	40.0
sDP4028V24H-A1	B	24	14.0~27.6	0.24	5.67	15000	24.45	0.69	1.18	293.02	55.1	40.0
sDP4028V24M-A1	B	24	14.0~27.6	0.15	3.60	13000	21.12	0.60	0.88	219.52	52.7	40.0
sDP4028V24L-A1	B	24	14.0~27.6	0.09	2.16	10000	16.29	0.46	0.52	129.36	44.0	40.0
sDP4028V24D-A1	B	24	14.0~27.6	0.05	1.20	8000	12.81	0.36	0.33	81.44	39.6	40.0

Specifications are subject to change without notice. Please visit our website at <http://www.sofasco.com> for update information

Dimensions (Unit:mm)



PQ Curve (At rated Voltage)

