

sDFQ

43-3P

Ø43mm(Ø1.69")



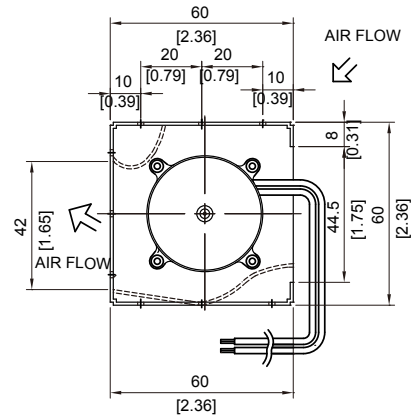
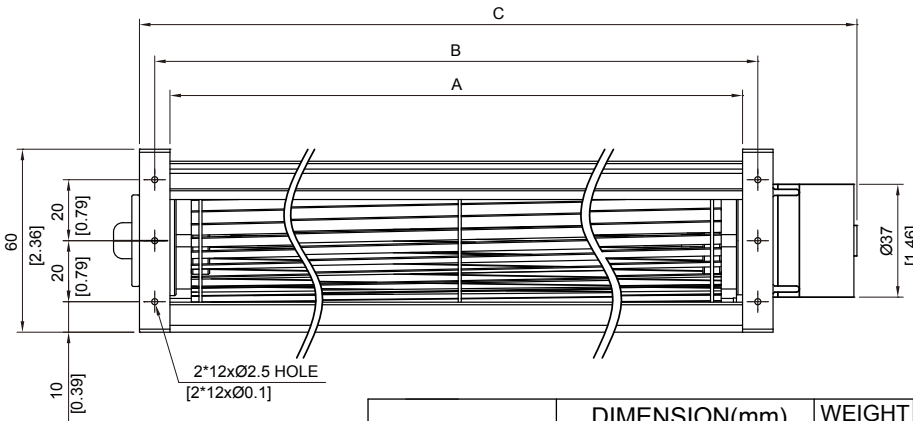
HOUSING Metal/Aluminum
 IMPELLER Aluminum, Ø30mm
 BEARING Ball
 OPERATING TEMPERATURE 0°C to + 45°C
 DIELECTRIC STRENGTH 5mA Max. at 500 VAC for 1 minute
 INSULATION RESISTANCE 10M Ω min. @500 VDC
 MOTOR TYPE DC Brushless Motor
 ROHS COMPLIANCE Yes
 IP LEVEL IP21 (Special IP Rating On Request)

* FAN IS FOR HORIZONTAL USE ONLY *

43mm

43mm

DIMENSION



UNIT:mm[inch]

MODEL NO.	DIMENSION(mm)			WEIGHT (g)
	A	B	C	
sDFQ43250-3P	250	260	297	340
sDFQ43290-3P	290	300	337	370

SPECIFICATION

MODEL NO.	RATED VOLTAGE (V)	RATED CURRENT (A)	INPUT POWER (W)	SPEED (RPM)	MAX. AIR PRESSURE		MAX. AIR FLOW		NOISE dB(A)@ 1M
					inchH ₂ O	mmH ₂ O	CFM	m ³ /min	
sDFQ43250V24HB-3P	24	0.26	6.24	2500	0.047	1.2	70.67	2	36
sDFQ43290V24HB-3P	24	0.25	6	2700	0.043	1.1	77.74	2.2	38

AIR PERFORMANCE

