

# sDFM

# 60-3P

Ø60mm(Ø2.36")



HOUSING  
IMPELLER  
BEARING  
OPERATING TEMPERATURE  
DIELECTRIC STRENGTH  
INSULATION RESISTANCE  
MOTOR TYPE  
ROHS COMPLIANCE  
IP LEVEL

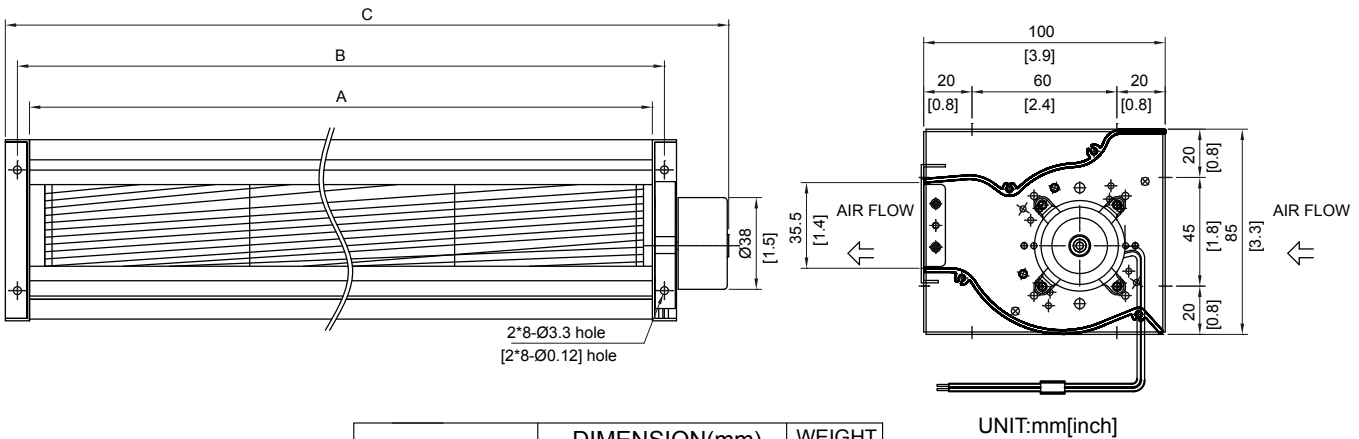
Metal/Aluminum  
Aluminum, Ø60mm  
Ball  
0°C to + 45°C  
5mA Max. at 500 VAC for 1 minute  
10M Ω min. @500 VDC  
DC Brushless Motor  
Yes  
IP21 (Special IP Rating On Request)

\* FAN IS FOR HORIZONTAL USE ONLY \*

# 60mm

60mm

## DIMENSION



MODEL NO.	DIMENSION(mm)			WEIGHT (g)
	A	B	C	
sDFM60310-3P	310	325	355	700
sDFM60370-3P	370	385	455	770
sDFM60430-3P	430	445	475	840
sDFM60610-3P	610	625	625	900

## SPECIFICATION

MODEL NO.	RATED VOLTAGE (V)	RATED CURRENT (A)	INPUT POWER (W)	SPEED (RPM)	MAX. AIR PRESSURE		MAX. AIR FLOW		NOISE dB(A)@ 1M
					inchH <sub>2</sub> O	mmH <sub>2</sub> O	CFM	m <sup>3</sup> /min	
sDFM60310V24HB-3P	24	0.23	5.52	1900	0.055	1.4	84.81	2.4	34
sDFM60370V24HB-3P	24	0.25	6	1850	0.067	1.7	98.94	2.8	33
sDFM60430V24HB-3P	24	0.27	6.48	1750	0.059	1.5	109.54	3.1	32
sDFM60610V24HB-3P	24	0.3	7.2	1550	0.043	1.1	134.28	3.8	31

## AIR PERFORMANCE

