

sDF

65-3P

Ø65mm(Ø2.56")



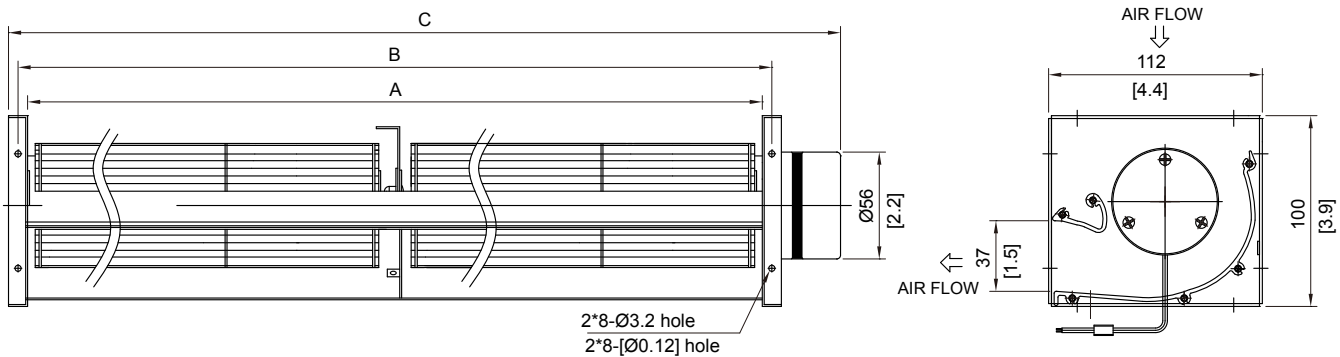
HOUSING Metal/Aluminum
IMPELLER Aluminum, Ø65mm
BEARING Ball
OPERATING TEMPERATURE 0°C to + 45°C
DIELECTRIC STRENGTH 5mA Max. at 500 VAC for 1 minute
INSULATION RESISTANCE 10M Ω min. @500 VDC
MOTOR TYPE DC Brushless Motor
ROHS COMPLIANCE Yes
IP LEVEL IP21 (Special IP Rating On Request)

* FAN IS FOR HORIZONTAL USE ONLY *
 © Double impeller

65mm

65 mm

DIMENSION



MODEL NO.	DIMENSION(mm)			WEIGHT (kg)
	A	B	C	
sDF65610-3P	610	622	692	1.45
sDF65750-3P	750	762	832	1.65
sDF65870-3P	870	882	952	1.80

UNIT:mm[inch]

SPECIFICATION

MODEL NO.	RATED VOLTAGE (V)	RATED CURRENT (A)	INPUT POWER (W)	SPEED (RPM)	MAX. AIR PRESSURE		MAX. AIR FLOW		NOISE dB(A)@ 1M
					inchH ₂ O	mmH ₂ O	CFM	m ³ /min	
sDF65610V24HB-3P	24	0.89	21.36	1750	0.185	4.7	339.22	9.6	48
sDF65750V24HB-3P ©	24	0.93	22.32	1650	0.173	4.4	356.89	10.1	47
sDF65870V24HB-3P ©	24	1.02	24.48	1550	0.165	4.2	406.36	11.5	46

AIR PERFORMANCE

