

sDF

60

Ø60mm(Ø2.36")



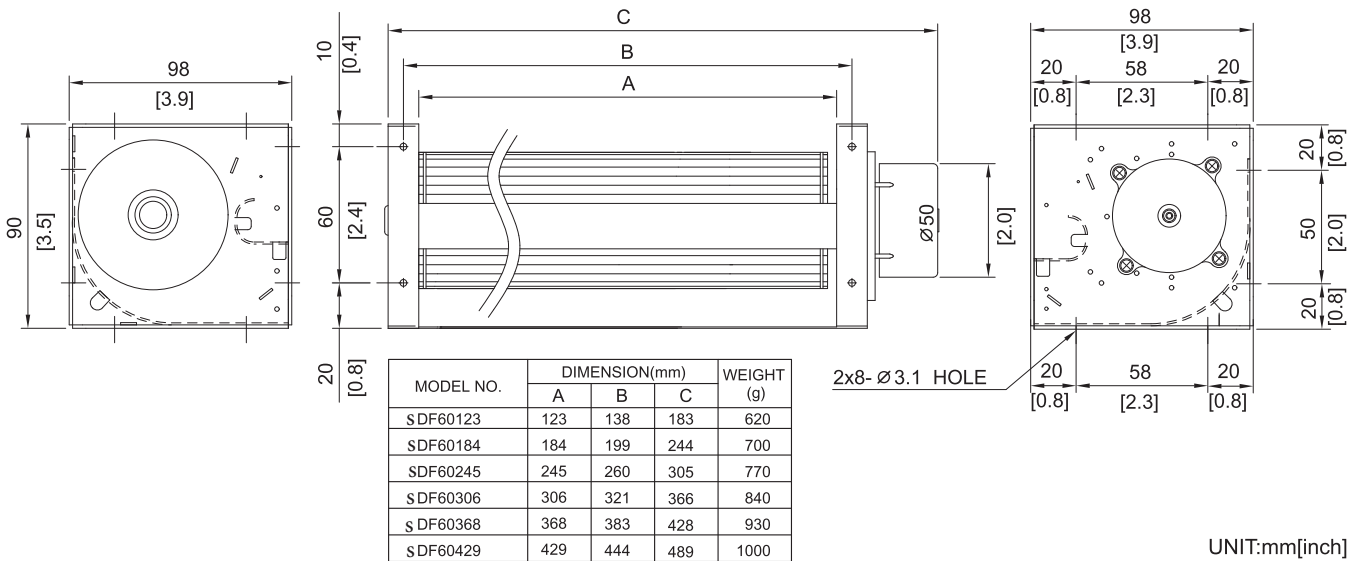
HOUSING Metal/Aluminum
 IMPELLER Aluminum, Ø60mm
 BEARING Ball
 OPERATING TEMPERATURE 0°C to + 45°C
 DIELECTRIC STRENGTH 5mA Max. at 500 VAC for 1 minute
 INSULATION RESISTANCE 10M Ω min. @500 VDC
 MOTOR TYPE DC Brushless Motor
 ROHS COMPLIANCE Yes
 IP LEVEL IP21 (Special IP Rating On Request)

* FAN IS FOR HORIZONTAL USE ONLY *

60mm

60 mm

DIMENSION



SPECIFICATION

MODEL NO.	RATED VOLTAGE (V)	RATED CURRENT (A)	INPUT POWER (W)	SPEED (RPM)	MAX. AIR PRESSURE		MAX. AIR FLOW		NOISE dB(A)@ 1M
					inchH ₂ O	mmH ₂ O	CFM	m ³ /min	
sDF60123V12H	12	0.60	7.2	2500	0.20	5.1	60	1.7	46
sDF60123V24H	24	0.40	9.6	2500	0.20	5.1	60	1.7	46
sDF60184V12H	12	0.80	9.6	2200	0.15	3.8	88	2.5	44
sDF60184V24H	24	0.45	10.8	2200	0.15	3.8	88	2.5	44
sDF60245V12H	12	1.00	12.0	2000	0.13	3.3	117	3.2	42
sDF60245V24H	24	0.55	13.2	2000	0.13	3.3	117	3.2	42

AIR PERFORMANCE

