

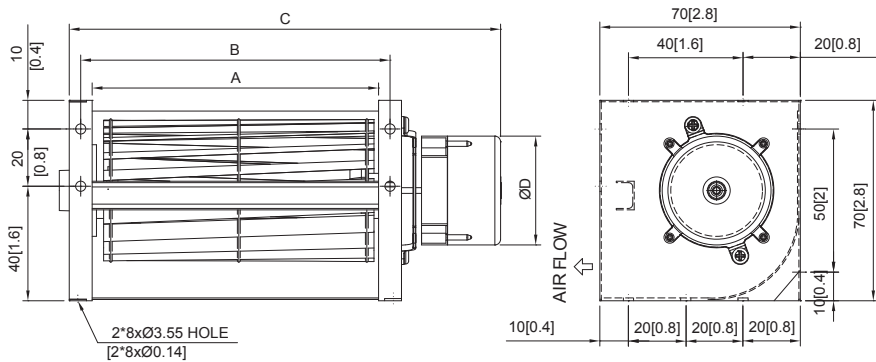
HOUSING Metal/Aluminum
IMPELLER Aluminum, Ø50mm
BEARING Ball
OPERATING TEMPERATURE 0°C to + 45°C
DIELECTRIC STRENGTH 5mA Max. at 500 VAC for 1 minute
INSULATION RESISTANCE 10M Ω min. @500 VDC
MOTOR TYPE DC Brushless Motor
ROHS COMPLIANCE Yes
IP LEVEL IP21 (Special IP Rating On Request)

* FAN IS FOR HORIZONTAL USE ONLY *

50mm

50mm

DIMENSION



| MODEL NO. | DIMENSION(mm) | | | | WEIGHT (g) |
|-----------|---------------|-----|-----|----|------------|
| | A | B | C | D | |
| sDF50098 | 98 | 108 | 155 | 38 | 330 |
| sDF50198H | 198 | 208 | 265 | 50 | 600 |
| sDF50198M | 198 | 208 | 255 | 38 | 450 |
| sDF50298 | 298 | 308 | 360 | 50 | 700 |
| sDF50358 | 358 | 368 | 420 | 50 | 770 |

UNIT:mm[inch]

SPECIFICATION

| MODEL NO. | RATED VOLTAGE (V) | RATED CURRENT (A) | INPUT POWER (W) | SPEED (RPM) | MAX. AIR PRESSURE | | MAX. AIR FLOW | | NOISE dB(A) @1M |
|--------------|-------------------|-------------------|-----------------|-------------|----------------------|--------------------|---------------|---------------------|-----------------|
| | | | | | inchH ₂ O | mmH ₂ O | CFM | m ³ /min | |
| sDF50098V12H | 12 | 0.3 | 3.6 | 2800 | 0.13 | 3.3 | 32 | 0.9 | 36 |
| sDF50098V24H | 24 | 0.18 | 4.32 | 2800 | 0.13 | 3.3 | 32 | 0.9 | 36 |
| sDF50198V12H | 12 | 0.6 | 7.2 | 2500 | 0.1 | 2.5 | 88 | 2.5 | 46 |
| sDF50198V24H | 24 | 0.4 | 9.6 | 2500 | 0.1 | 2.5 | 88 | 2.5 | 46 |
| sDF50198V12M | 12 | 0.47 | 5.64 | 2000 | 0.1 | 2.6 | 63 | 1.8 | 34 |
| sDF50198V24M | 24 | 0.24 | 5.76 | 2000 | 0.1 | 2.6 | 63 | 1.8 | 34 |
| sDF50298V12H | 12 | 0.65 | 7.8 | 2400 | 0.16 | 4 | 124 | 3.5 | 43 |
| sDF50298V24H | 24 | 0.4 | 9.6 | 2400 | 0.16 | 4 | 124 | 3.5 | 43 |
| sDF50358V12H | 12 | 0.75 | 9 | 2300 | 0.14 | 3.6 | 131 | 3.7 | 42 |
| sDF50358V24H | 24 | 0.45 | 10.8 | 2300 | 0.14 | 3.6 | 131 | 3.7 | 42 |

AIR PERFORMANCE

