

sDF

45-3P

Ø45mm(Ø1.77")



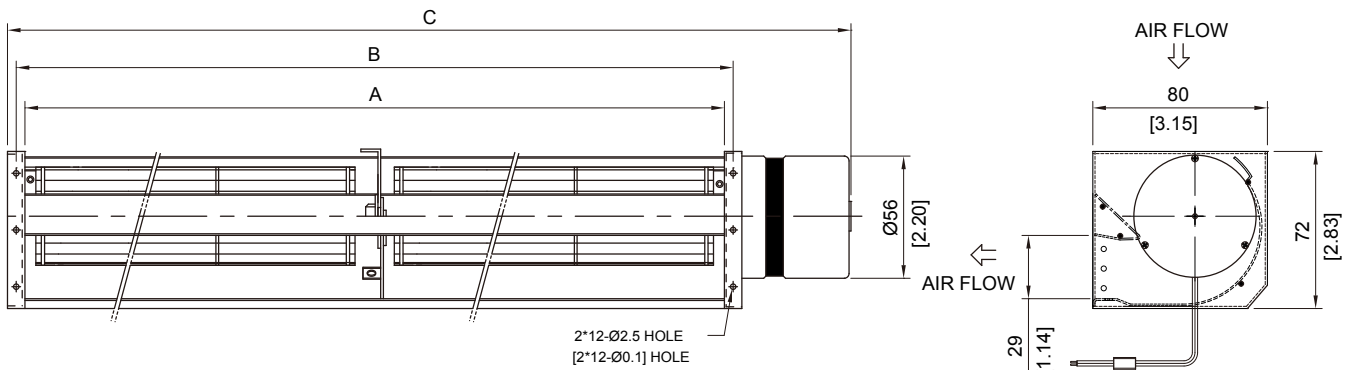
HOUSING	Metal/Aluminum
IMPELLER	Aluminum, Ø45mm
BEARING	Ball
OPERATING TEMPERATURE	0°C to + 45°C
DIELECTRIC STRENGTH	5mA Max. at 500 VAC for 1 minute
INSULATION RESISTANCE	10M Ω min. @500 VDC
MOTOR TYPE	DC Brushless Motor
ROHS COMPLIANCE	Yes
IP LEVEL	IP21 (Special IP Rating On Request)

* FAN IS FOR HORIZONTAL USE ONLY *

30mm

30mm

DIMENSION



MODEL NO.	DIMENSION(mm)			WEIGHT (Kg)
	A	B	C	
sDF45630-3P	630	640	685	1.10
sDF45750-3P	750	760	805	1.25
sDF45870-3P	870	880	925	1.35

UNIT:mm[inch]

SPECIFICATION

MODEL NO.	RATED VOLTAGE (V)	RATED CURRENT (A)	INPUT POWER (W)	SPEED (RPM)	MAX. AIR PRESSURE		MAX. AIR FLOW		NOISE dB(A)@ 1M
					inchH ₂ O	mmH ₂ O	CFM	m ³ /min	
sDF45630V24HB-3P	24	0.55	13.2	1950	0.114	2.9	201.41	5.7	46
sDF45750V24HB-3P	24	0.59	14.16	1850	0.11	2.8	236.75	6.7	45
sDF45870V24HB-3P	24	0.63	15.12	1800	0.11	2.8	265.02	7.5	45

AIR PERFORMANCE

