

sDF

40-3P

Ø40mm(Ø1.58")



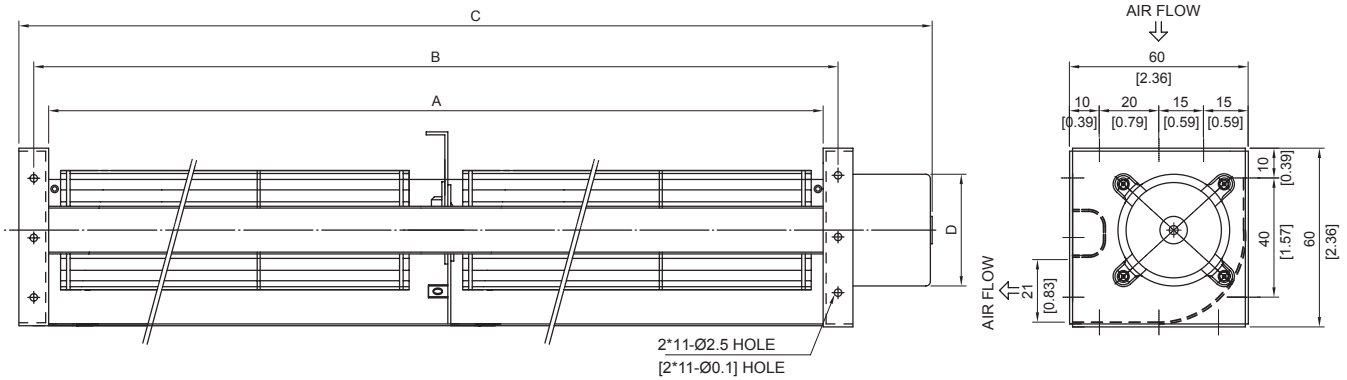
HOUSING Metal/Aluminum
IMPELLER Aluminum, Ø40mm
BEARING Ball
OPERATING TEMPERATURE 0°C to + 45°C
DIELECTRIC STRENGTH 5mA Max. at 500 VAC for 1 minute
INSULATION RESISTANCE 10M Ω min. @500 VDC
MOTOR TYPE DC Brushless Motor
ROHS COMPLIANCE Yes
IP LEVEL IP21 (Special IP Rating On Request)

* FAN IS FOR HORIZONTAL USE ONLY *

40mm

40 mm

DIMENSION



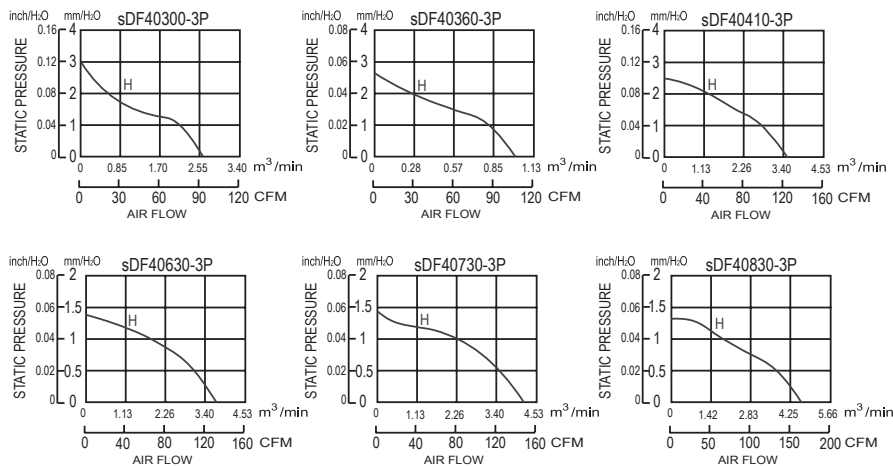
MODEL NO.	DIMENSION(mm)				WEIGHT (g)
	A	BC	340	D	
sDF40300-3P	300	310	340	38	440
sDF40360-3P	360	370	400	38	470
sDF40410-3P	410	420	450	38	510
sDF40630-3P	630	640	670	38	690
sDF40730-3P	730	740	770	38	70
sDF40830-3P	830	840	870	38	830

UNIT:mm[inch]

SPECIFICATION

MODEL NO.	RATED VOLTAGE (V)	RATED CURRENT (A)	INPUT POWER (W)	SPEED (RPM)	MAX. AIR PRESSURE		MAX. AIR FLOW		NOISE dB(A)@ 1M
					inchH ₂ O	mmH ₂ O	CFM	m ³ /min	
sDF40300V24HB-3P	24	0.3	7.2	2600	0.118	3	91.87	2.6	39
sDF40360V24HB-3P	24	0.32	7.68	2450	0.105	2.6	106	3	38
sDF40410V24HB-3P	24	0.34	8.16	2300	0.098	2.5	123.67	3.5	37
sDF40630V24HB-3P	24	0.26	6.24	1800	0.055	1.4	130.74	3.7	39
sDF40730V24HB-3P	24	0.27	6.48	1750	0.055	1.4	148.41	4.2	38
sDF40830V24HB-3P	24	0.28	6.72	1600	0.051	1.3	162.54	4.6	37

AIR PERFORMANCE



Cross Flow Fans