

sDF

30A

Ø30mm(Ø1.18")



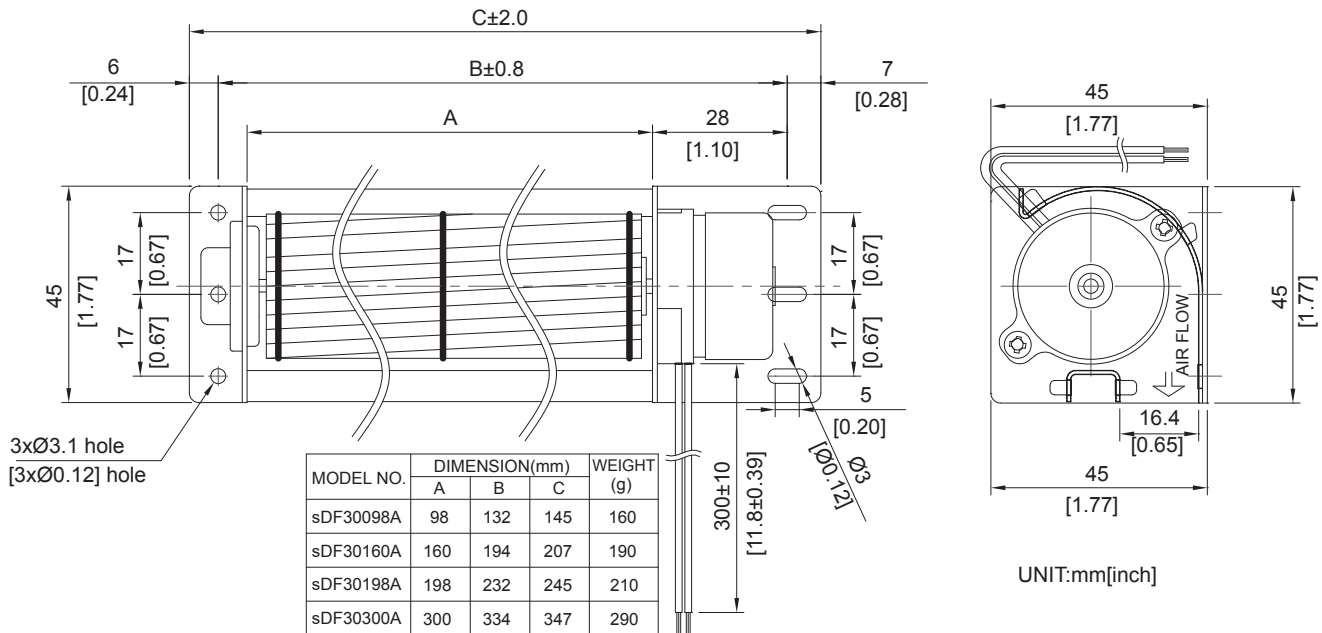
HOUSING Metal/Aluminum
 IMPELLER Aluminum, Ø30mm
 BEARING Ball
 OPERATING TEMPERATURE 0°C to + 45°C
 DIELECTRIC STRENGTH 5mA Max. at 500 VAC for 1 minute
 INSULATION RESISTANCE 10M Ω min. @500 VDC
 MOTOR TYPE DC Brushless Motor
 ROHS COMPLIANCE Yes
 IP LEVEL IP21 (Special IP Rating On Request)

* FAN IS FOR HORIZONTAL USE ONLY *

30mm

30 mm

DIMENSION



SPECIFICATION

| MODEL NO. | RATED VOLTAGE (V) | RATED CURRENT (A) | INPUT POWER (W) | SPEED (RPM) | MAX. AIR PRESSURE | | MAX. AIR FLOW | | NOISE dB(A) @1M |
|----------------|-------------------|-------------------|-----------------|-------------|----------------------|--------------------|---------------|---------------------|-----------------|
| | | | | | inchH ₂ O | mmH ₂ O | CFM | m ³ /min | |
| sDF30098V12HBA | 12 | 0.15 | 1.80 | 3200 | 0.08 | 1.9 | 21 | 0.6 | 29 |
| sDF30098V24HBA | 24 | 0.15 | 3.60 | 3200 | 0.08 | 1.9 | 21 | 0.6 | 29 |
| sDF30160V12HBA | 12 | 0.18 | 2.16 | 3100 | 0.07 | 1.7 | 28 | 0.8 | 30 |
| sDF30160V24HBA | 24 | 0.16 | 3.84 | 3100 | 0.07 | 1.7 | 28 | 0.8 | 30 |
| sDF30198V12HBA | 12 | 0.20 | 2.40 | 2900 | 0.06 | 1.6 | 35 | 1.0 | 31 |
| sDF30198V24HBA | 24 | 0.16 | 3.84 | 2900 | 0.06 | 1.6 | 35 | 1.0 | 31 |
| sDF30300V12HBA | 12 | 0.22 | 2.64 | 2600 | 0.06 | 1.5 | 49 | 1.3 | 33 |
| sDF30300V24HBA | 24 | 0.20 | 4.80 | 2600 | 0.06 | 1.5 | 49 | 1.3 | 33 |

AIR PERFORMANCE

