

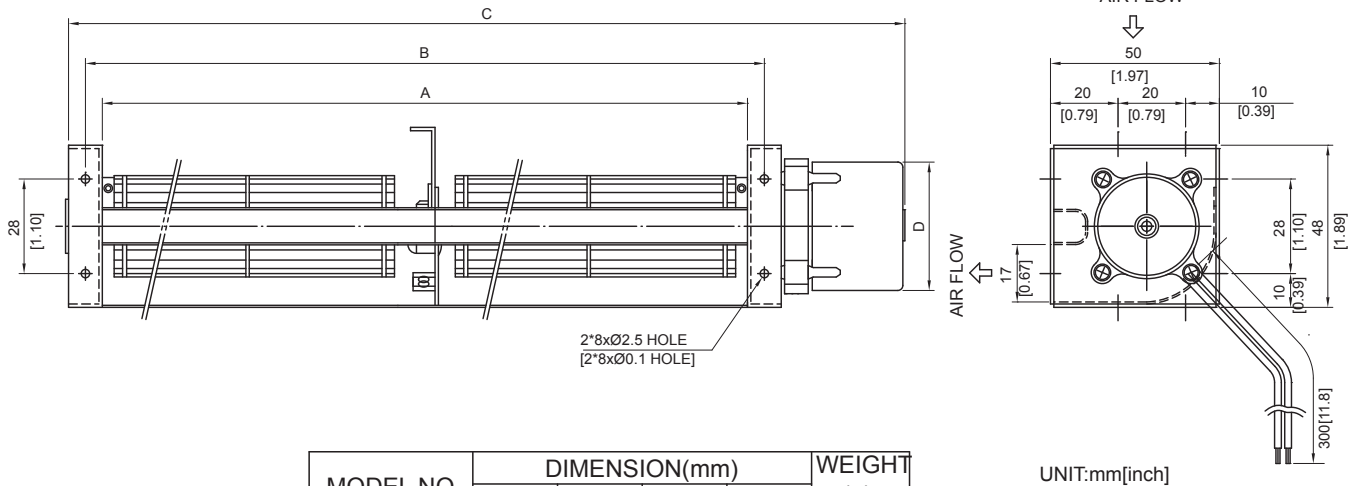


HOUSING	Metal/Aluminum
IMPELLER	Aluminum, Ø30mm
BEARING	Ball
OPERATING TEMPERATURE	-20°C to + 50°C
DIELECTRIC STRENGTH	5mA Max. at 500 VAC for 1 minute
INSULATION RESISTANCE	10M Ω min. @500 VDC
MOTOR TYPE	DC Brushless Motor
ROHS COMPLIANCE	Yes
IP LEVEL	IP21 (Special IP Rating On Request)

30_{mm}

30 mm

DIMENSION



MODEL NO.	DIMENSION(mm)				WEIGHT (g)
	A	B	C	D	
sDF30630-3P	630	640	680	38	580
sDF30730-3P	730	740	780	38	630
sDF30830-3P	830	840	880	38	690

SPECIFICATION

MODEL NO.	RATED VOLTAGE (V)	RATED CURRENT (A)	INPUT POWER (W)	SPEED (RPM)	MAX. AIR PRESSURE		MAX. AIR FLOW		NOISE dB(A)@ 1M
					inchH ₂ O	mmH ₂ O	CFM	m ³ /min	
sDF30630V24HB-3P	24	0.22	5.28	2850	0.07	1.8	113.07	3.2	36
sDF30730V24HB-3P	24	0.25	6	2750	0.067	1.7	137.81	3.9	35
sDF30830V24HB-3P	24	0.28	6.72	2650	0.063	1.6	148.41	4.2	34

AIR PERFORMANCE

