



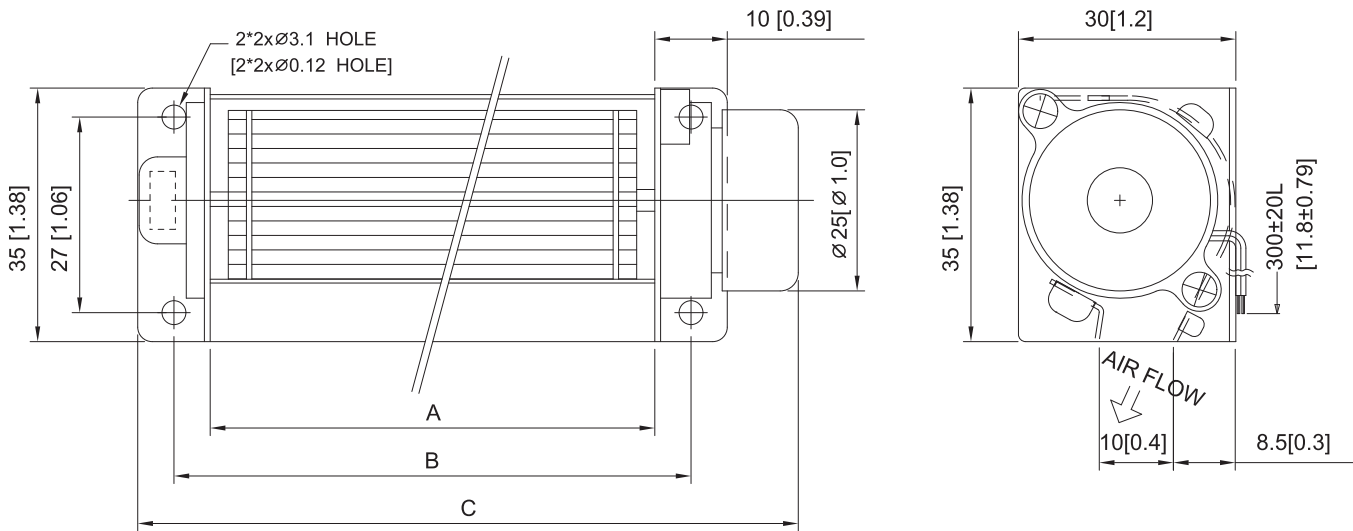
HOUSING Metal/Aluminum
IMPELLER Aluminum, Ø25mm
BEARING Ball
OPERATING TEMPERATURE 0°C to + 45°C
DIELECTRIC STRENGTH 5mA Max. at 500 VAC for 1 minute
INSULATION RESISTANCE 10M Ω min. @500 VDC
MOTOR TYPE DC Brushless Motor
ROHS COMPLIANCE Yes
IP LEVEL IP21 (Special IP Rating On Request)

* FAN IS FOR HORIZONTAL USE ONLY *

25mm

25mm

DIMENSION



MODEL NO.	DIMENSION(mm)			WEIGHT (g)
	A	B	C	
sDF25098	98	108	129	80
sDF25160	160	170	191	100
sDF25198	198	208	229	110

UNIT:mm[inch]

SPECIFICATION

MODEL NO.	RATED VOLTAGE (V)	RATED CURRENT (A)	INPUT POWER (W)	SPEED (RPM)	MAX. AIR PRESSURE		MAX. AIR FLOW		NOISE dB(A) @1M
					inchH ₂ O	mmH ₂ O	CFM	m ³ /min	
sDF25098V12H	12	0.1	1.2	4000	0.07	1.8	9	0.25	36
sDF25160V12H	12	0.11	1.3	3400	0.04	1	12	0.35	39
sDF25198V12H	12	0.12	1.4	3300	0.04	1	15	0.43	40

AIR PERFORMANCE

