

## 25589 $\phi$ 255x89MM

### General Specifications

- ◆ Material..... Frame: Propylene with glass-fiber reinforced  
Impeller: Injection-moulded round sheet-metal plate  
Lead Wire: UL1007AWG#2
- ◆ Expected Life..... Ball Bearing 50,000hrs (40°C)
- ◆ Temperature Range.... Operating temperature -40°C~75°C  
(Non-condensing)
- ◆ Safety Standards..... RoHS , CE
- ◆ DC Fan Specials..... RD, FG, PWM, IPXX (available with special IP rating)
- ◆ Weight ..... 2000 g

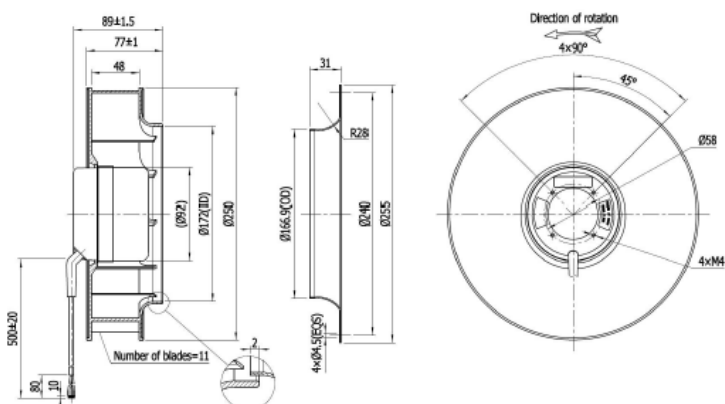


### Specifications

Model	#Bearing Type	Rated Voltage	Operating Voltage	Input Current	Input Power	Speed	Max Air Flow		Max Static Pressure		Noise	Weight
Part No.	B	VDC	VDC	Amp	Watt	RPM	CFM	m <sup>3</sup> /min	Inch-H <sub>2</sub> O	mmH <sub>2</sub> O	dB-A	g
sDCF25589V24HB	B	24	16.0~28.0	3.74	90.00	2650	589	16.67	2.20	55.88	73.00	2000

Specifications are subject to change without notice. Please visit our website at <http://www.sofasco.com> for update information

### Dimensions (Unit:mm)



### PQ Curve (At rated Voltage)

