

16045 ϕ 160x45MM

General Specifications

- ◆ Material..... Frame:Aluminum(Flammability:UL94V-0)
Impeller: Plastic (UL94V-0)
Lead Wire: UL1007AWG#24 350mm
- ◆ Expected Life..... Ball Bearing 50,000hrs (40°C)
- ◆ Temperature Range.... Operating temperature -40°C~80°C
(Non-condensing)
- ◆ Safety Standards..... RoHS , CE
- ◆ DC Fan Specials..... RD, FG, PWM, IPXX (available with special IP rating)
- ◆ Weight 400 g

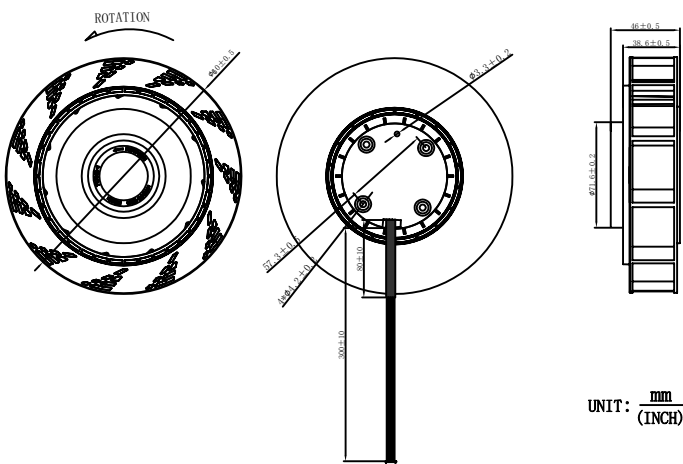


Specifications

Model	#Bearing Type	Rated Voltage	Operating Voltage	Input Current	Input Power	Speed	Max Air Flow		Max Static Pressure		Noise	Weight
Part No.	B	VDC	VDC	Amp	Watt	RPM	CFM	m ³ /min	Inch-H ₂ O	mmH ₂ O	dB-A	g
sDCF16045V12LB	B	12	7.00~13.5	1.30	15.60	2500	183.40	5.192	0.951	24.16	43.20	400.00
sDCF16045V12MB	B	12	7.00~13.5	2.40	28.80	3000	213.10	6.003	1.287	32.68	51.80	400.00
sDCF16045V12HB	B	12	7.00~13.5	3.20	38.40	3500	249.60	7.086	1.801	54.94	58.60	400.00
sDCF16045V24LB	B	24	18.0~26.5	0.65	15.60	2500	183.40	5.192	0.951	24.16	61.00	400.00
sDCF16045V24MB	B	24	18.0~26.5	1.20	28.80	3000	213.10	6.003	1.287	32.68	43.20	400.00
sDCF16045V24HB	B	24	18.0~26.5	1.60	38.40	3500	249.60	7.086	1.801	54.94	58.60	400.00
sDCF16045V48LB	B	48	36.0~54.0	0.33	15.60	2500	183.40	5.192	0.951	24.16	43.20	400.00
sDCF16045V48MB	B	48	36.0~54.0	0.60	28.80	3000	213.10	6.003	1.287	32.68	51.80	400.00
sDCF16045V48HB	B	48	36.0~54.0	0.80	38.40	9200	249.60	7.086	1.801	54.94	58.60	400.00

Specifications are subject to change without notice. Please visit our website at <http://www.sofasco.com> for update information

Dimensions (Unit:mm)



PQ Curve (At rated Voltage)

