

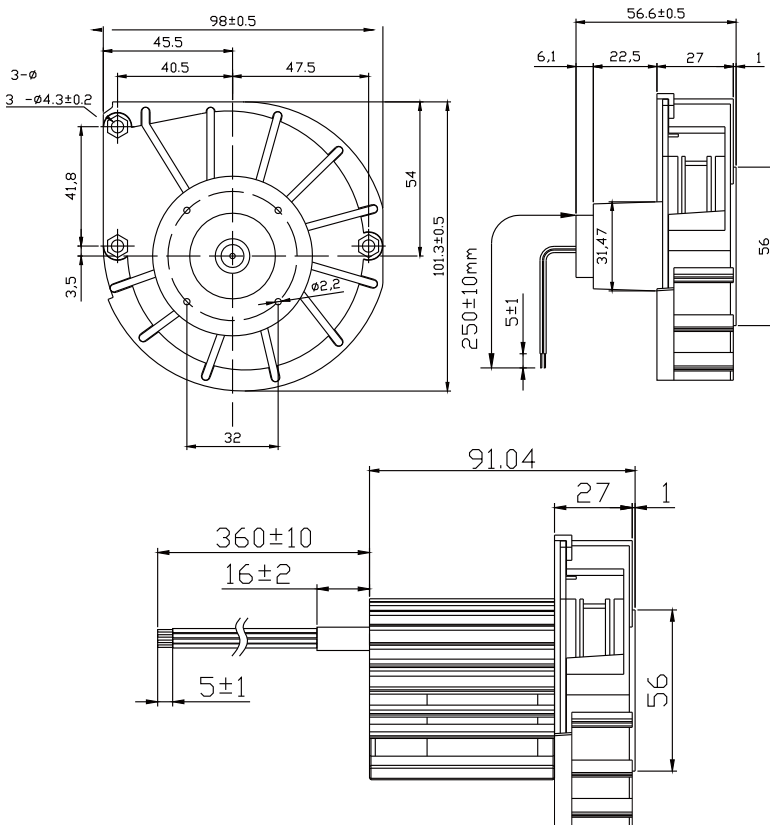
## 9856

## 98X56MM TYPE

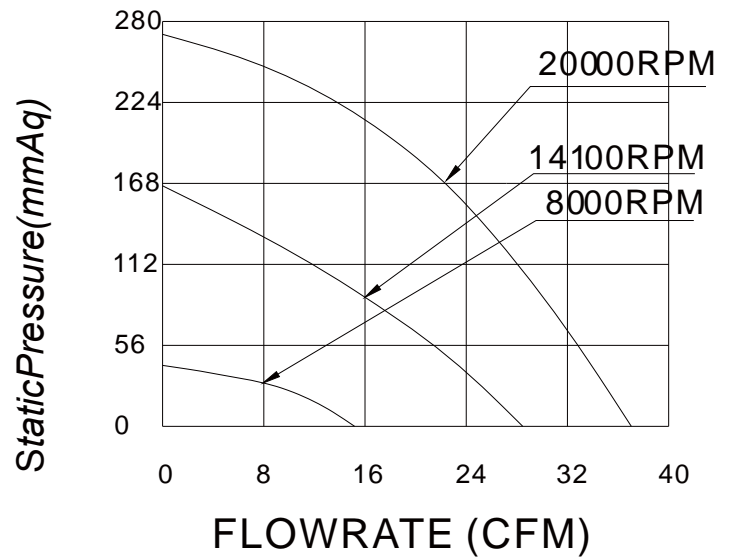
Application:  
Gas mask



### Dimensions (Unit:mm)



### PQ Curve (At rated Voltage)



Model	#Bearing Type	Rated Voltage	Operating Voltage	Input Current	Input Power	Speed	Max Air Flow		Max Static Pressure		Noise	Weight
Part No.	B	VDC	VDC	Amp	Watt	RPM	CFM	m <sup>3</sup> /min	Inch-H <sub>2</sub> O	mmH <sub>2</sub> O	dB-A	g
sDBS9856AV5L-TK	S	5	1.80~3.60	0.58	2.90	8000	15.18	0.430	1.660	42.16	54.80	200.00
sDBS9856AV24M-TK	B	24	18.0~26.5	0.67	16.08	14100	28.47	0.805	6.548	166.33	68.50	200.00
sDBS9856AV24H-TK	B	24	18.0~26.5	1.55	37.20	20000	37.05	1.049	9.579	271.09	74.00	200.00