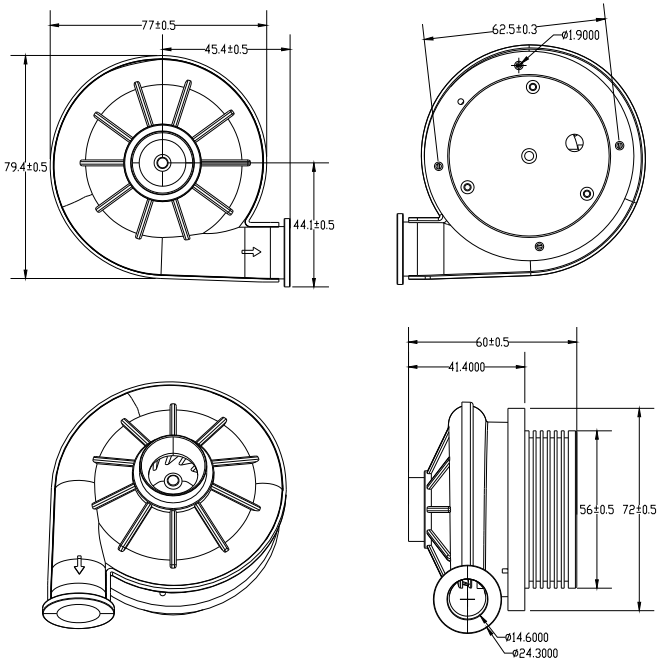


Application:
Portable Ventilation

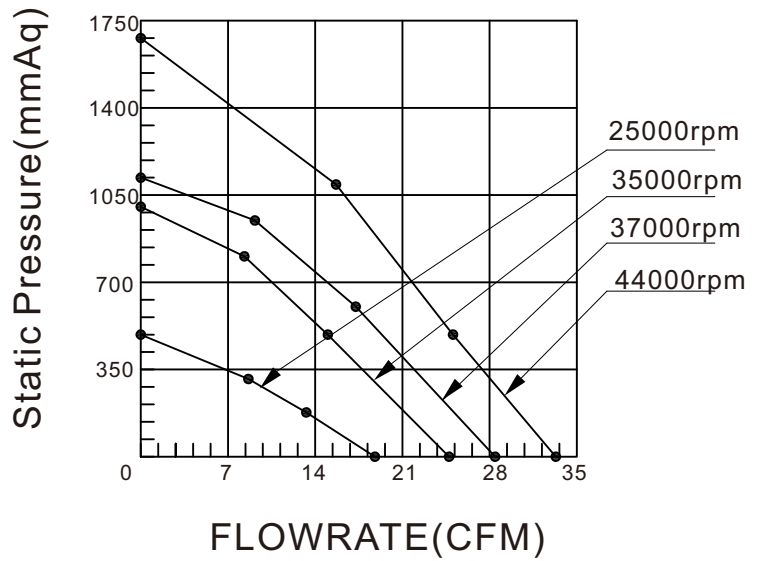


NOTE: THIS BLOWER REQUIRES AN EXTERNAL DRIVER

Dimensions (Unit:mm)



PQ Curve (At rated Voltage)



Specifications

Model	#Bearing Type	Rated Voltage	Operating Voltage	Input Current	Input Power	Speed	Max Air Flow		Max Static Pressure		Noise	Weight
Part No.	B	VDC	VDC	Amp	Watt	RPM	CFM	m ³ /min	Inch-H ₂ O	mmH ₂ O	dB-A	g
sDBS8060V24L-TK	B	24	18.0~26.5	1.85	44.40	25000	18.40	0.515	19.60	497.80	68.40	304.00
sDBS8060V24M-TK	B	24	18.0~26.5	4.30	103.20	35000	25.40	0.719	39.70	1009.50	70.90	304.00
sDBS8060V24H-TK	B	24	18.0~26.5	4.30	129.60	37000	28.10	0.795	44.10	1119.50	70.90	304.00
sDBS8060V24SH-TK	B	24	18.0~26.5	8.50	204.00	44000	33.80	0.957	66.20	1681.30	84.30	304.00

Specifications are subject to change without notice. Please visit our website at <http://www.sofasco.com> for update information