



# DC BLOWER- SUPER HIGH PRESSURE

## 7758

## 77X67X58MM

### General Specifications

- ◆ Material..... Frame: Plastic (UL94V-0)  
Impeller: Plastic (UL94V-0)  
Lead Wire: UL1007AWG#20 340mm  
Lead Wire: UL1007AWG#24 340mm
- ◆ Expected Life..... Ball Bearing 50,000hrs (40°C)
- ◆ Temperature Range.... Operating temperature -10°C~60°C  
(Non-condensing)
- ◆ Safety Standards..... RoHS , CE
- ◆ DC Fan Specials..... RD, FG, PWM, IPXX (available with special IP rating)
- ◆ Application ..... Portable Ventilator

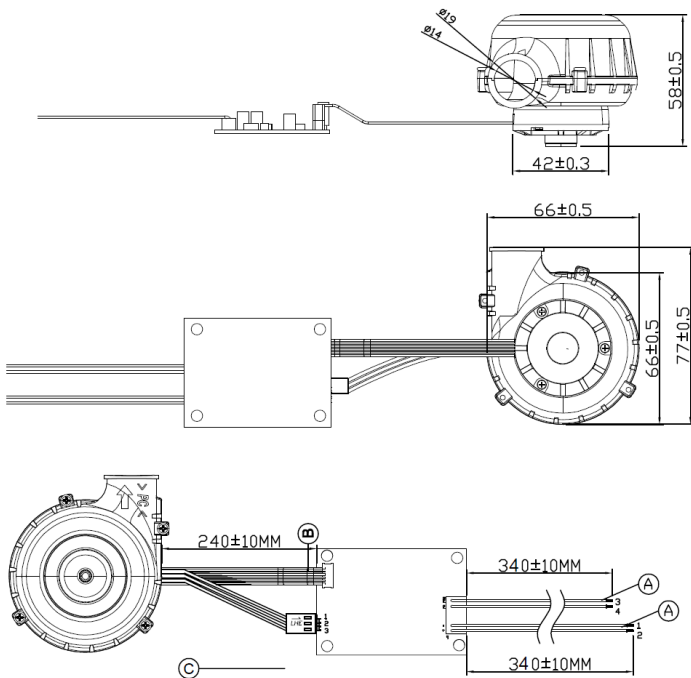


### Specifications

Model	#Bearing Type	Rated Voltage	Operating Voltage	Input Current	Input Power	Speed	Max Air Flow		Max Static Pressure		Noise	Weight
Part No.	B	VDC	VDC	Amp	Watt	RPM	CFM	m <sup>3</sup> /min	Inch-H <sub>2</sub> O	mmH <sub>2</sub> O	dB-A	g
sDBS7758V24H-TK	B	24	18.0~28.5	1.80	43.20	31100	18.71	0.530	20.45	519.50	70.00	266.00

Specifications are subject to change without notice. Please visit our website at <http://www.sofasco.com> for update information

### Dimensions (Unit:mm)



### PQ Curve (At rated Voltage)

