

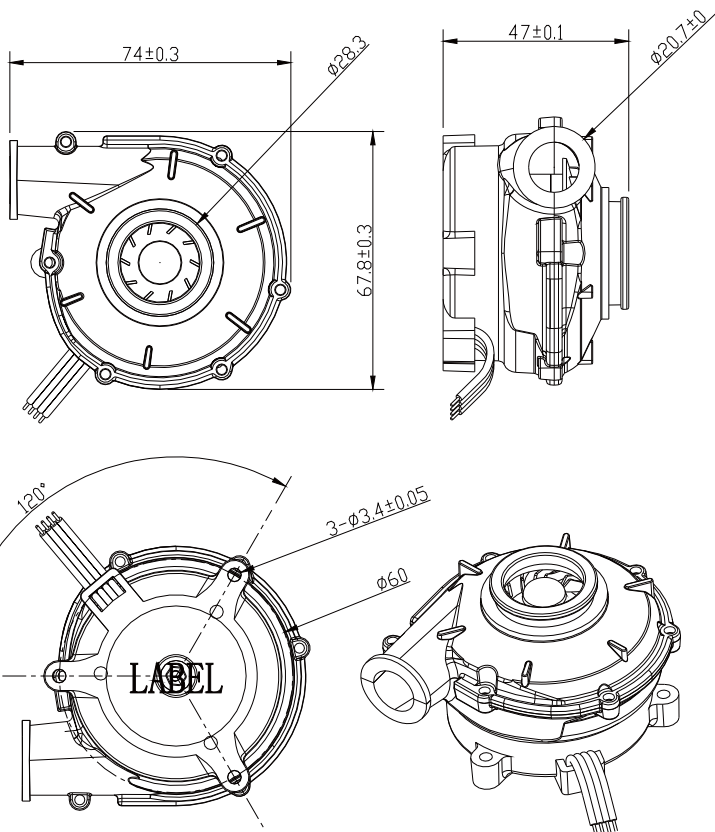
7547

75X47MM TYPE

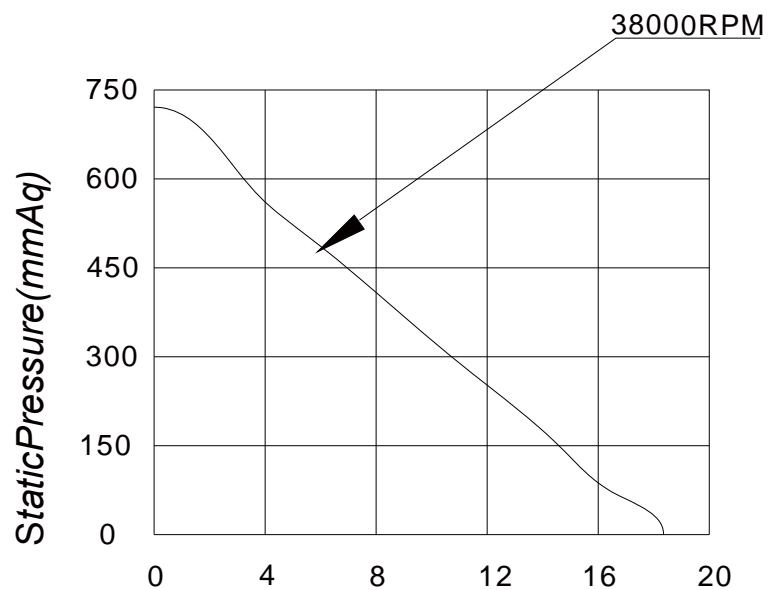
Application:
Inflatable tent, inflatable model



■ Dimensions (Unit:mm)



■ PQ Curve (At rated Voltage)



■ Specifications

Model	#Bearing Type	Rated Voltage	Operating Voltage	Input Current	Input Power	Speed	Max Air Flow		Max Static Pressure		Noise	Weight
Part No.	B	VDC	VDC	Amp	Watt	RPM	CFM	m³/min	Inch-H2O	mmH2O	dB-A	g
sDBS7547V12H-TK	B	12	7.50~13.5	6.00	72.00	38000	17.84	0.505	28.39	721.00	71.70	173.00
sDBS7547V24H-TK	B	24	18.0~26.5	3.00	72.00	38000	17.84	0.505	28.39	721.00	71.70	173.00