



DC BLOWER- SUPER HIGH PRESSURE

6570

65.5X63X70MM



General Specifications

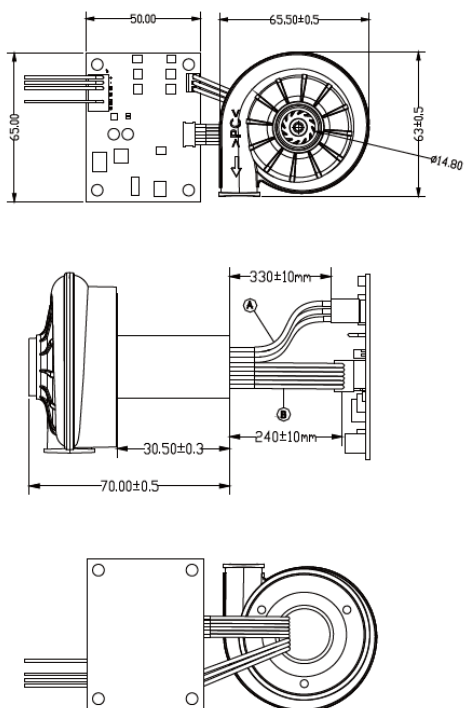
- ◆ Material..... Frame: Plastic (UL94V-0)
Impeller: Plastic (UL94V-0)
Lead Wire: UL1007AWG#22 360mm
Lead Wire: UL1007AWG#24 330mm
- ◆ Expected Life..... Ball Bearing 50,000hrs (40°C)
- ◆ Temperature Range.... Operating temperature -10°C~60°C
(Non-condensing)
- ◆ Safety Standards..... RoHS , CE
- ◆ DC Fan Specials..... RD, FG, PWM, IPXX (available with special IP rating)
- ◆ Application Portable Ventilator

Specifications

Model	#Bearing Type	Rated Voltage	Operating Voltage	Input Current	Input Power	Speed	Max Air Flow		Max Static Pressure		Noise	Weight
Part No.	B	VDC	VDC	Amp	Watt	RPM	CFM	m ³ /min	Inch-H ₂ O	mmH ₂ O	dB-A	g
sDBS6570V24H-TK	B	24	15.0~25.0	3.10	74.40	48000	18.09	0.512	36.44	925.70	70.00	216.30

Specifications are subject to change without notice. Please visit our website at <http://www.sofasco.com> for update information

Dimensions (Unit:mm)



PQ Curve (At rated Voltage)

