

6389

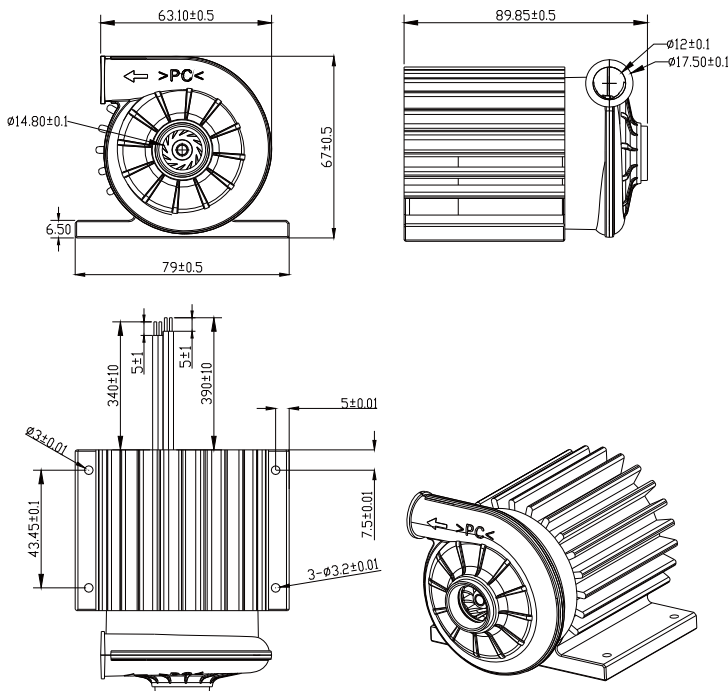
63X89MM

Application:

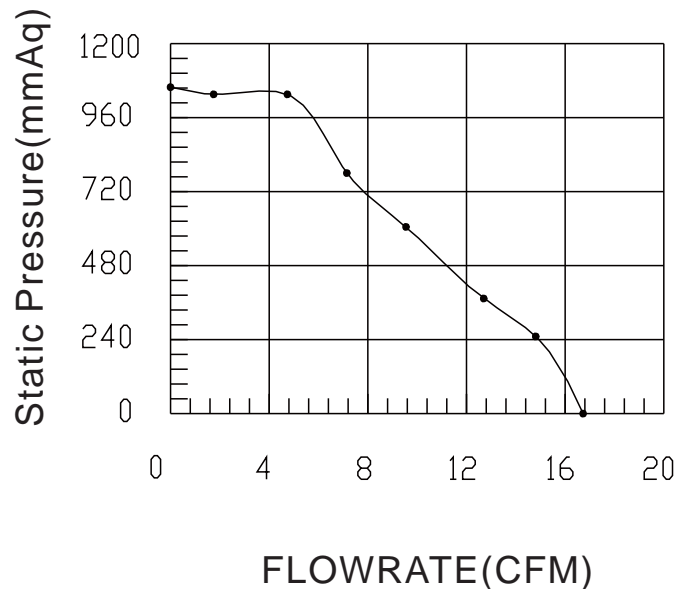
Pumping system for Dental equipment, Dust measuring instrument



Dimensions (Unit:mm)



PQ Curve (At rated Voltage)



Specifications

Model	#Bearing Type	Rated Voltage	Operating Voltage	Input Current	Input Power	Speed	Max Air Flow	Max Static Pressure	Noise	Weight		
Part No.	B	VDC	VDC	Amp	Watt	RPM	CFM	m ³ /min	Inch-H ₂ O	mmH ₂ O	dB-A	g
sDBS6389V24H-TK	B	24	18.0~26.5	2.90	69.60	42000	16.73	0.473	41.68	1058.75	75.10	535.00

Specifications are subject to change without notice. Please visit our website at <http://www.sofasco.com> for update information